

INTERMERCATO

HIGH PERFORMANCE LIFT & LOAD ATTACHMENTS

Universal grabs TG UG

Everything from log- and stone handling to recycling.

Intermercato TG UG is a true all-round tool. It's lighter and has smaller distance between the claws than the GX. TG UG handles logs just as well as household- and industrial waste.

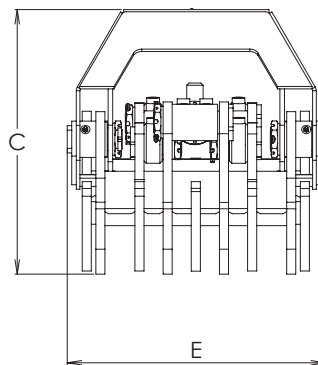
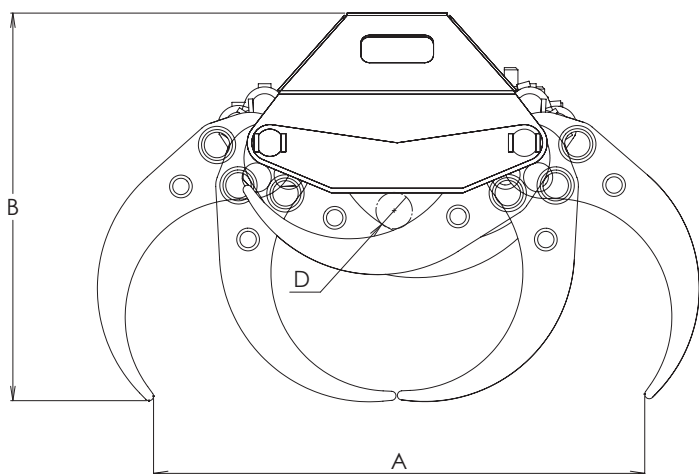


KEY FEATURES


- Made of Hardox®
- TG 22 UG/9 and up have homogeneous guide bars made of Hardox®
- Optimal roll in- roll out properties
- Can be equipped with a saw cassette
- Cylinder with double piston rod seals for high pressure

DEFINITELY A BEAST.

www.intermercato.com



	TG 12 UG/7	TG 22 UG/9	TG 28 UGS/11
A	703	1085	1387
B	590	853	837
C	342	582	607
D	40	135	90
E	287	568	730

MODEL SPECS.	 Kg	 m²	 Bar	 l/min	 kN	 ton	 tm	 tm	 ton	 ton	
TG 12 UG/7	56	0,12	200	30	8	0,6	2	-	0,5-2	1-5	-
TG 22 UG/9	298	0,22	250	60	17	3	10	-	4-10	4-7	-
TG 28 UGS/11	460	0,26	300	60	16,6	5	15	-	7-12	7-10	-

Recommended machine weight and crane size

Accessorize your grab

Excavator attachment, rotator & scale

Accessorize your grab with an excavator attachment! We have suitable attachments for all types of excavators. We can also deliver all our grabs and clamshell buckets complete with hose kit!

Intermercato is world leading in weighing of hanging load. Our crane scales are based on intelligent technology - an advanced algorithm calculates the weight. It's the only RTT&E certified and legal for trade system in the world for hanging load in motion. Your success starts with Intermercato Intelligent Weighing Systems!

Accumulator, check valve and saw cassette

Can be equipped with accumulator from Parker and check valve. We can also deliver GX with saw cassette from Hultdins.

