



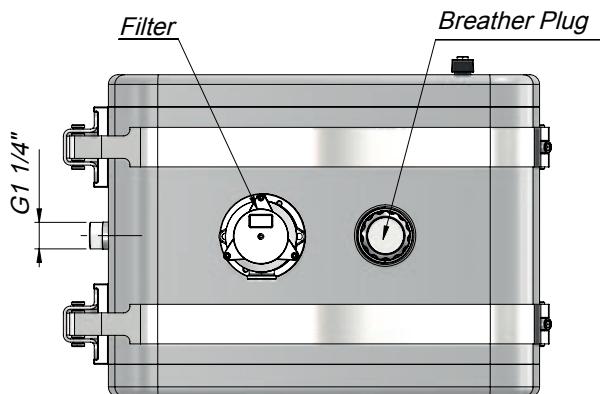
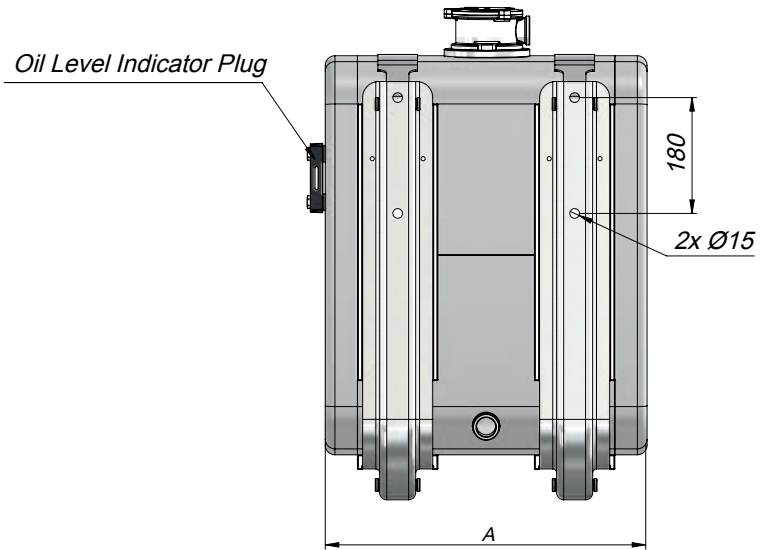
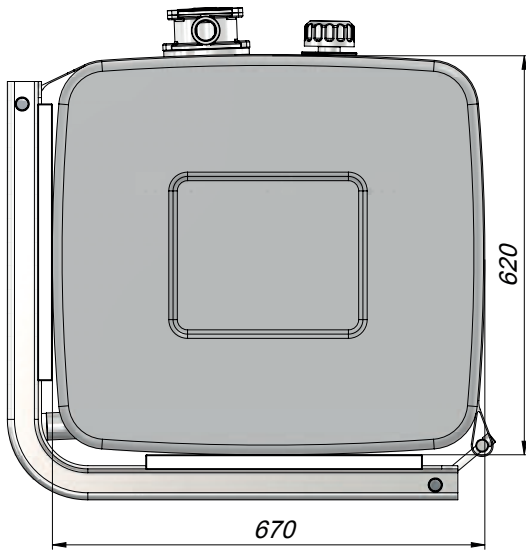
Side Mounted Steel Oil Tank With Filter

Our hydraulic tanks are manufactured from high quality steel plate of 2mm thickness. Welding of the seams and main joints are carried out by robotic equipment to ensure the highest quality and reliability. All tanks are pneumatically tested and finished in a 2 coat black paint prior to shipping. This range of hydraulic tanks are all fitted with a return filter to aid the systems cleanliness.



HYDRA PART	STEEL TANK	SIDE MOUNTED	RETURN FILTER FITTED	CAPACITY (LITRES)
X	X	X	X	X

CODE SYSTEMS



CODE	CAPACITY (L)	A	FILTER Flow (lpm)	FILTER Micron Rating (µ)
HP-ST-SM-RF-80L	80	255	150	10
HP-ST-SM-RF-100L	100	275	150	10
HP-ST-SM-RF-120L	120	330	150	10
HP-ST-SM-RF-135L	135	375	150	10
HP-ST-SM-RF-150L	150	425	150	10
HP-ST-SM-RF-165L	165	450	150	10
HP-ST-SM-RF-170L	170	475	150	10
HP-ST-SM-RF-180L	180	500	150	10
HP-ST-SM-RF-190L	190	525	150	10
HP-ST-SM-RF-200L	200	550	150	10
HP-ST-SM-RF-250L	250	700	150	10