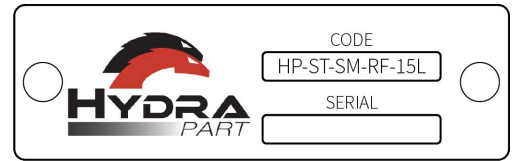




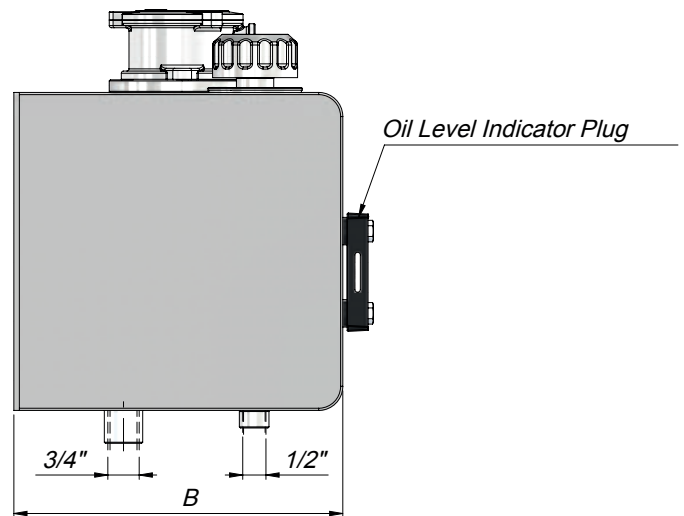
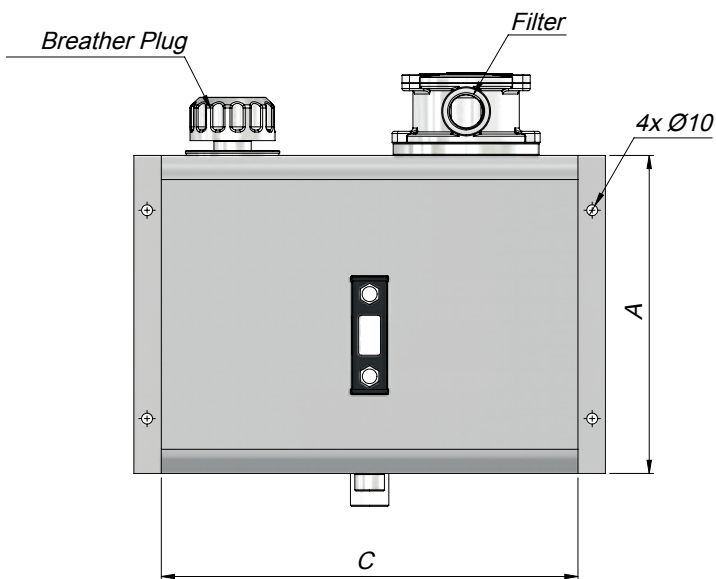
Side Mounted Steel Oil Tank With Filter

Our hydraulic tanks are manufactured from high quality steel plate of 2mm thickness. Welding of the seams and main joints are carried out by robotic equipment to ensure the highest quality and reliability. All tanks are pneumatically tested and finished in a 2 coat black paint prior to shipping. This range of hydraulic tanks are all fitted with a return filter to aid the systems cleanliness.



HYDRA PART	STEEL TANK	SIDE MOUNTED	RETURN FILTER FITTED	CAPACITY (LITRES)
X	X	X	X	X

CODE SYSTEMS



Code	Capacity	A	B	C	Filter Micron Rating(μ)
HP-ST-SM-RF-15L	15	265	290	285	25
HP-ST-SM-RF-25L	25	265	290	400	25
HP-ST-SM-RF-30L	30	265	290	450	25
HP-ST-SM-RF-40L	40	475	290	330	25
HP-ST-SM-RF-60L	60	475	290	490	25