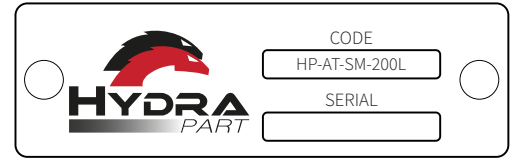




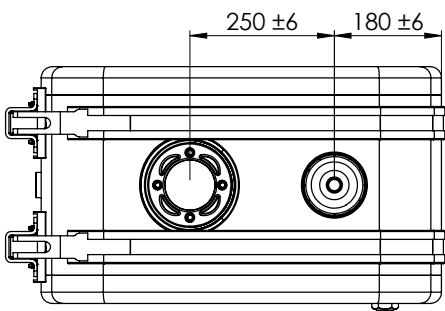
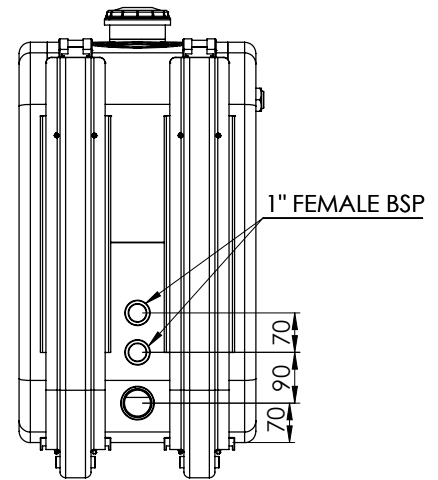
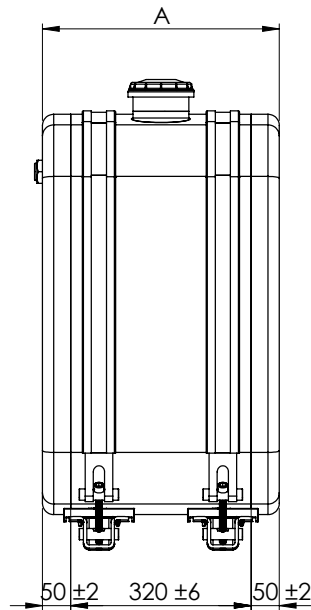
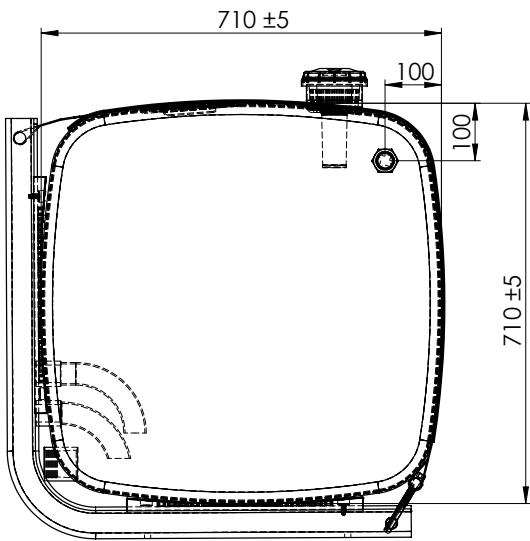
Side Mounted Aluminium Hydraulic Oil Tanks

Our hydraulic tanks are manufactured from high quality aluminium plate of 2.5mm thickness. Welding of the seams and main joints are carried out by robotic equipment to ensure the highest quality and reliability. All tanks are pneumatically tested prior to shipping. This range of hydraulic tanks can all fitted with a return filter to aid the systems cleanliness.



HYDRA PART	MATERIAL (ALUMINIUM)	SIDE MOUNTED	CAPACITY (LITRES)
X	X	X	X

CODE SYSTEMS



CODE	CAPACITY (L)	WEIGHT (Kg)	A
HP-AT-SM-150L	150	15.2	350
HP-AT-SM-180L	180	16.0	420
HP-AT-SM-200L	200	16.4	440
HP-AT-SM-250L	250	19.0	580