



CETOP 5 Solenoid Valves

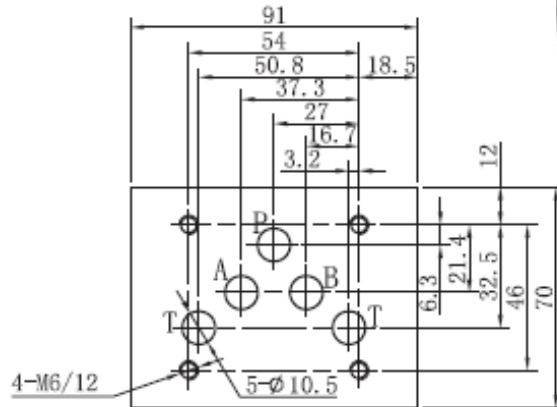
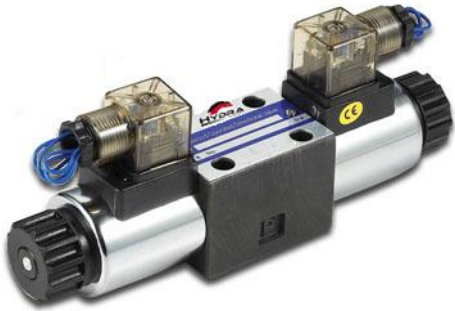
HYDRA Part CETOP 5 (NG10) valves are manufactured to the highest quality and are used for many applications in controlling hydraulic oil flows on power pack- industrial machines and mobile plant applications.

HYDRA-Part CETOP 5 (NG10) Dir. Control Valves

Available in single, double solenoid options

Voltages available 12VDC – 24VDC – 110VAC & 220 VAC

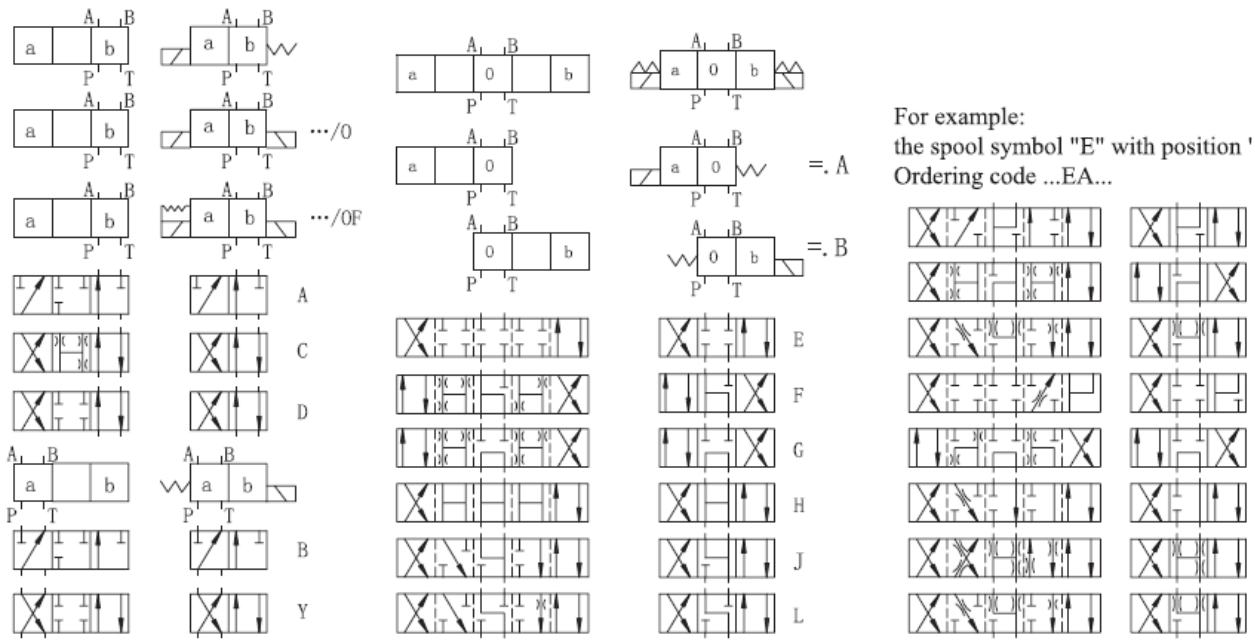
HYDRA-part pumps are used in a wide variety of applications



Main valve characteristics

- Nominal Size: NG01 Maximum Flow Rate: 120 l/min
- Maximum Pressure: A,B,P = 315 Bar T = 16 Bar
- Seal Material :- NBR
- Max Fluid Temperature: -20 degrees Celsius to +70 degrees Celsius.
- Oil Viscosity: - 2.8 to 380 mm²/s
- Switch Cycles Open: - 50 to 60 ms.
- Switch Cycles Closed: - 50 to 70 ms.
- Switch Frequency 15000 times per hour.
- Insulation Grade: IP65
- Single Solenoid valve 4.6kg - Double Solenoid: 6.4kg
- Voltages: 12VDC = DC12, 24VDC = DC24, 110V/AC 50HZ = AC110, 220V/AC 50HZ = AC220
- Manual Override: Standard on all valves
- Connector Type: DIN Plug (with LED)
- Surface treatment - Casting Phosphate

See next page for valve breakdown and ordering code



EXAMPLE CODE

