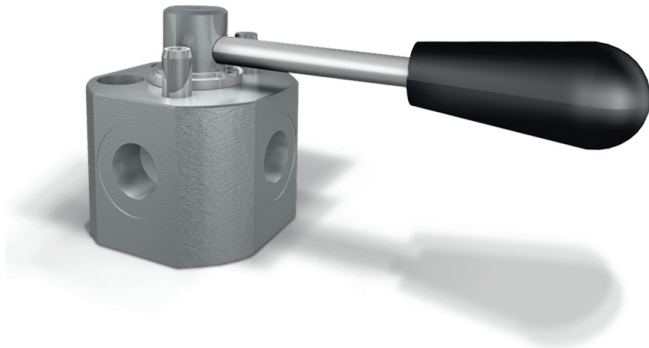




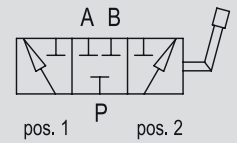
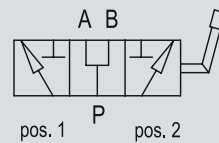
HIGH PRESSURE 3-WAYS DIVERTER VALVE, STEEL BODY - 500Bar

Diverter valve used to divert the flow towards 2 different outlets



HYDRAULIC DIAGRAM
(with opened centre)

ON REQUEST
(with closed centre)



Materials & Features

Body: steel

Internal parts: hardened and ground steel

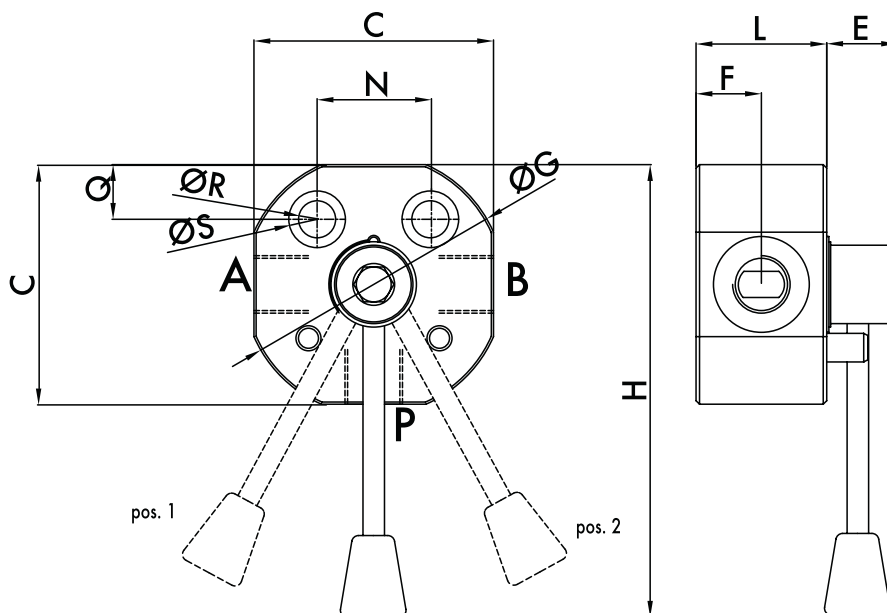
Seals: BUNA N standard and anti-extrusion rings

Tightness: minor leakage

APPLICATIONS:

Connect P to the pressure flow, A and B to the ports of the hydraulic circuit where the flow has to be diverted. With lever in position 1 the flow is connected towards port A; with lever in position 2, the flow is connected towards port B. With lever in the central position ports P, A and B are all connected (opened centre).

CODE	TYPE	MAX FLOW Lt. / min	MAX PRESSURE Bar
V0879/AP	DF 3 VIE 1/4" AP ACC.	20	500
V0881/AP	DF 3 VIE 3/8" AP ACC.	35	500
V0891/AP	DF 3 VIE 1/2" AP ACC.	60	500
V0901/AP	DF 3 VIE 3/4" AP ACC.	100	500
V0911/AP	DF 3 VIE 1" AP ACC.	180	500



CODE	TYPE	A-B P GAS	C mm	N mm	Q mm	H mm	ØR mm	ØS mm	ØG mm	F mm	L mm	E mm
V0879/AP	DF 3 VIE 1/4" AP ACC.	1/4"	56	26	10	148	8,5	13,5	62	23,5	42,5	21
V0881/AP	DF 3 VIE 3/8" AP ACC.	3/8"	56	26	10	148	8,5	13,5	62	23,5	42,5	21
V0891/AP	DF 3 VIE 1/2" AP ACC.	1/2"	70	32	11	160	10,5	17	86	26	42,5	21
V0901/AP	DF 3 VIE 3/4" AP ACC.	3/4"	80	32	11	165	10,5	17	100	31	58	20
V0911/AP	DF 3 VIE 1" AP ACC.	1"	90	32	11	170	10,5	17	108	33	62	20