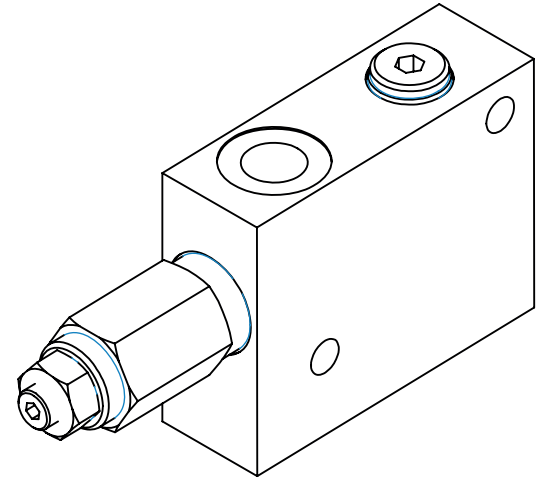
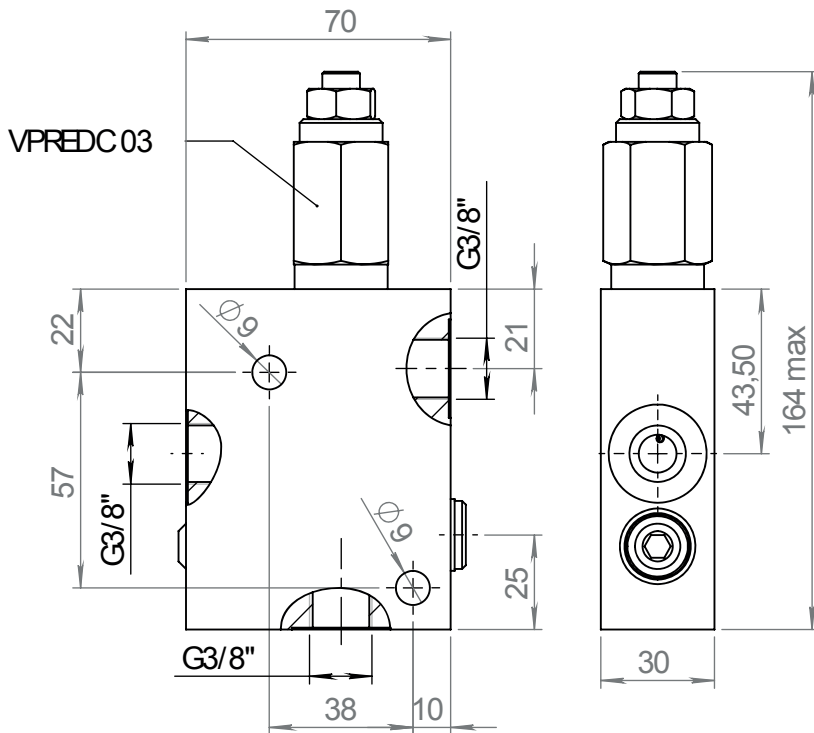
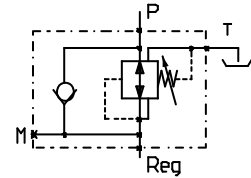


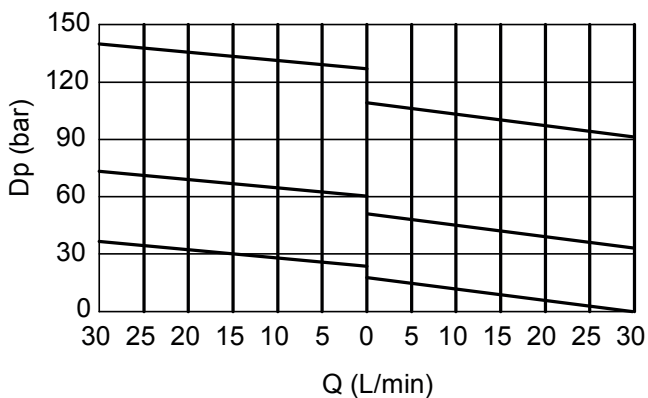
## Dimensions



## Hydraulic Symbol



## Curves



## Features

Max Pressure REG	140 bar
Max Pressure IN	350 bar
Max Flow	30 lpm

**Materials:** Zinc plated steel cartridge, hardened steel inner parts.  
Aluminium manifold.

## Ordering Code

VPREDARR --

Port Size BSP

02	3/8
----	-----