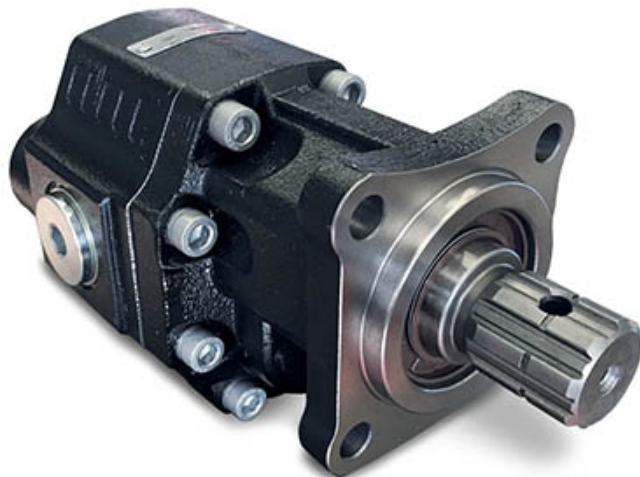




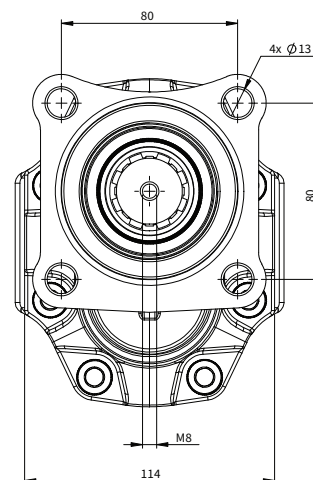
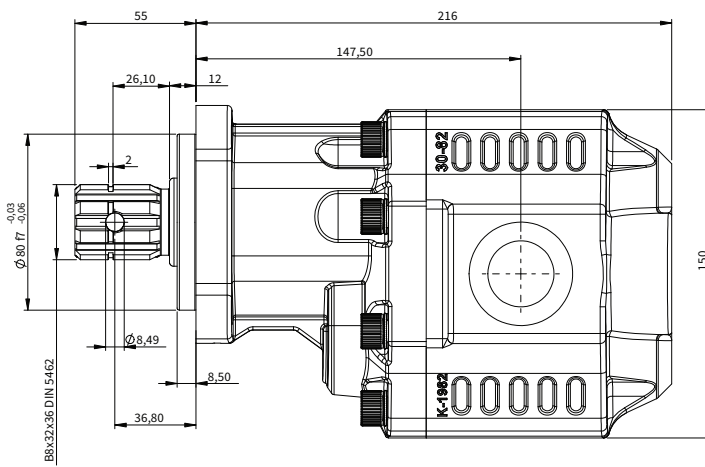
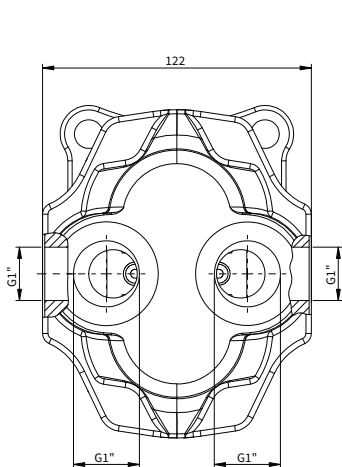
HP-GP30 Side & Rear Ported PTO Gear Pumps (82cc)

HP-GP30 hydraulic PTO pumps Bi Rotational gear pumps offer excellent flow and pressure characteristics. Manufactured in 2 pieces from high quality material to give maximum performance in the toughest of conditions. The Bi-rotational option means no chance of getting the wrong rotation pump and maintains the same pressure characteristics as the uni-directional pumps.



	CODE
	HP-GP30-B-82-ISO-RS
SERIAL	

HYDRA PART	GROUP	FLANGE TYPE	CAPACITY	SHAFT TYPE	REAR & SIDE PORTS
X	X	X	X	X	X



Displacement	cm ³ /rev	82
Max.Continuous pressure (100%)	bar	200
Max.Intermittent pressure (20 sec.max)		210
Max.Peak pressure (6 sec.max)		220
Max.Continuous speed	rpm	1700
Max.Intermittent speed		1900
Min.speed		300