

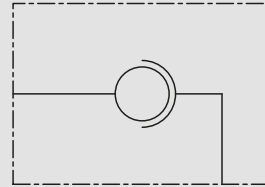


Hydraulic 90° Rotating Coupling, GG 90°

14.2 - 90 DEGREE ROTATING COUPLING

TYPE
GG 90°

HYDRAULIC DIAGRAM



USE AND OPERATION:

These valves are mounted between the end of a flexible hose and a fixed component to compensate hose's rotations and torsions and to prevent its damaging. **They are not suitable for fast and continuous rotations.** They are used in every production field where systems have flexible moving hose. 90° mounting.

MATERIALS AND FEATURES:

Body: zinc-plated steel

Tightness: low friction seals

APPLICATION

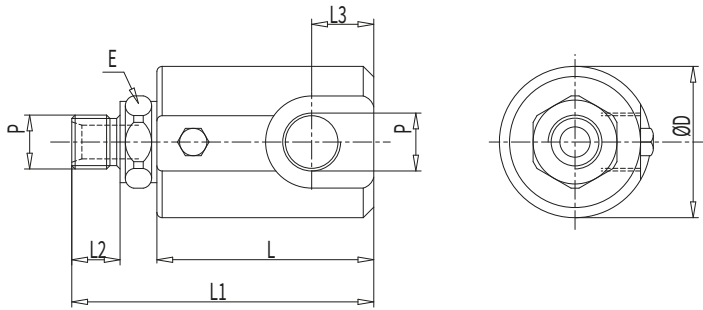
Connect ports P to the uses.

ON REQUEST

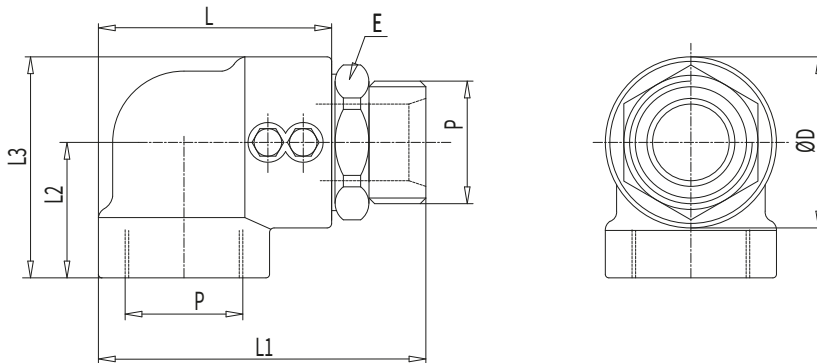
- **NPT thread (code GN... instead of G... example: GG 90° 1/4" NPT code = GN0990)**

CODE	TYPE	MAX FLOW Lt./min	MAX ROTATION PRESSURE Bar	MAX PRESSURE Bar	MAX ROTATE SPEED (turn/min)
G0990	GG 90° ¼"	25	200	400	212
G1010	GG 90° ⅜"	35	200	400	173
G1020	GG 90° ½"	60	150	300	160
G1030	GG 90° ¾"	100	150	300	120
G1040	GG 90° 1"	180	100	300	100
G1042	GG 90° 1" ¼"	200	100	300	86
G1043	GG 90° 1" ½"	250	80	300	73

GG 90°



GG 90° 1" ¼-1" ½



CODE	TYPE	P	L	L1	L2	L3	E	ØD	WEIGHT
		GAS	mm	mm	mm	mm	mm	mm	Kg
G0990	GG 90° ¼"	¼"	50	69	11	11	19	34	0,312
G1010	GG 90° ⅜"	⅜"	54	76	14	13	24	38	0,418
G1020	GG 90° ½"	½"	63	87	15	14	27	40	0,522
G1030	GG 90° ¾"	¾"	70	100	19	18	34	55	0,898
G1040	GG 90° 1"	1"	80	113	21	25	41	60	1,122
G1042	GG 90° 1" ¼"	1" ¼"	84	121	52	82	50	63	1,746
G1043	GG 90° 1" ½"	1" ½"	102	143	62	101	55	77	3,070