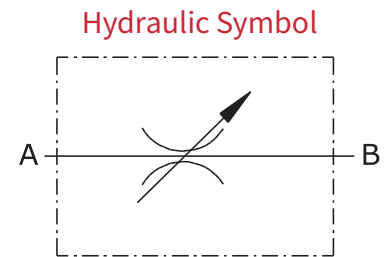
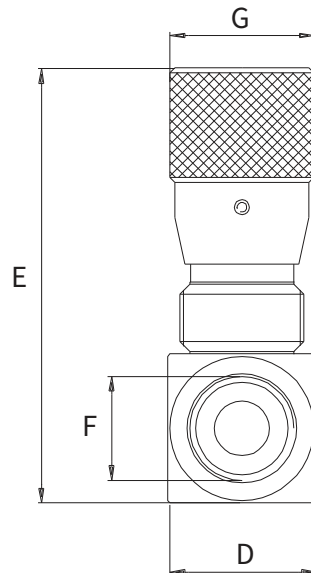
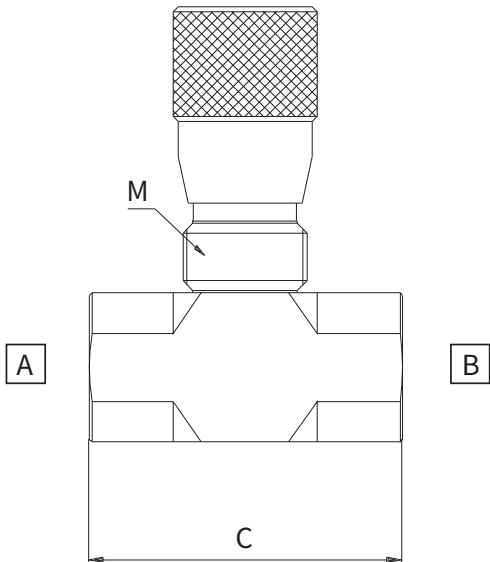


HYDRA PART
MODEL CODE
PORT SIZE (BSP)

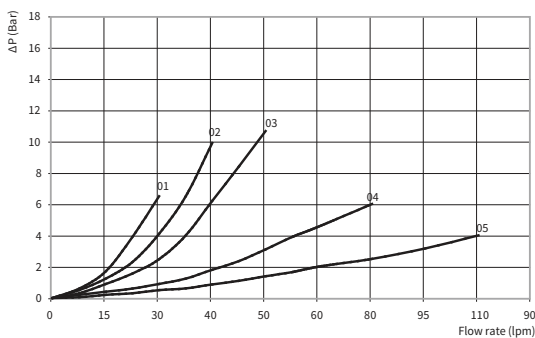
X X X



Size	F BSP	C	D	E	G	M	Weight kgs
01	1/4	58	25	80	30	M25x1,5	0,37
02	3/8	58	25	80	30	M25x1,5	0,35
03	1/2	64	30	86	30	M25x1,5	0,45
04	3/4	89	40	114	42	M35x1,5	1,16
05	1	89	40	114	42	M35x1,5	1,03

Materials: Zinc plated steel body, alloy handknob.

Curves



Features

Size	Max Pressure bar	Max Flow rate lpm
01	350	30
02	350	40
03	350	50
04	320	80
05	300	110