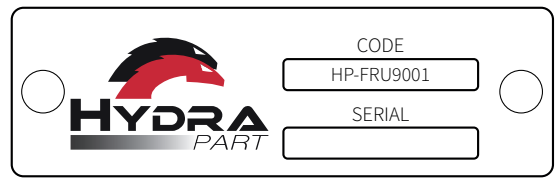


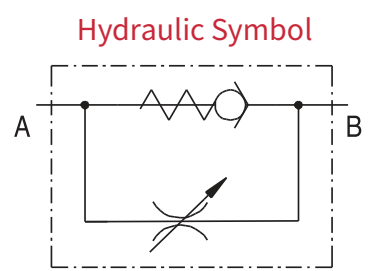
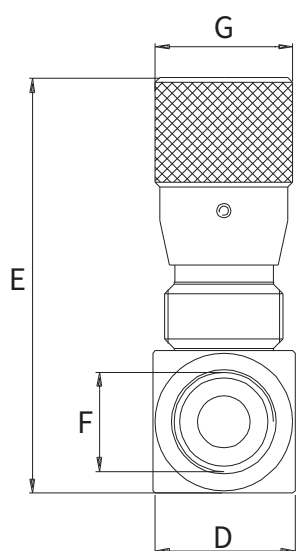
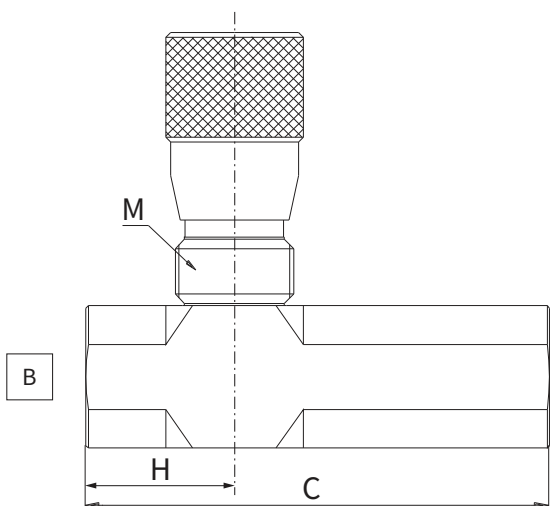


FRU Flow Regulator Valves with Check (90° Uni-directional)



HYDRA PART
 MODEL CODE
 PORT SIZE (BSP)

X X X



Size	F BSP	C	D	E	G	H	M	Weight kg	Max Pressure bar	Max Flow rate lpm A → B	Max Flow rate lpm B → A	Cracking Pressure bar
01	1/4	75	25	80	30	29	M25x1,5	0,42	350	30	35	0,5
02	3/8	78	25	80	30	31	M25x1,5	0,39	350	40	50	0,5
03	1/2	93	30	86	30	33,5	M25x1,5	0,60	350	50	90	0,5
04	3/4	110	40	114	42	41,5	M35x1,5	1,42	320	80	140	0,5
05	1	135	40	114	42	44,5	M35x1,5	1,39	300	110	180	0,5

Materials: Zinc plated steel body, alloy handknob.

Curves

