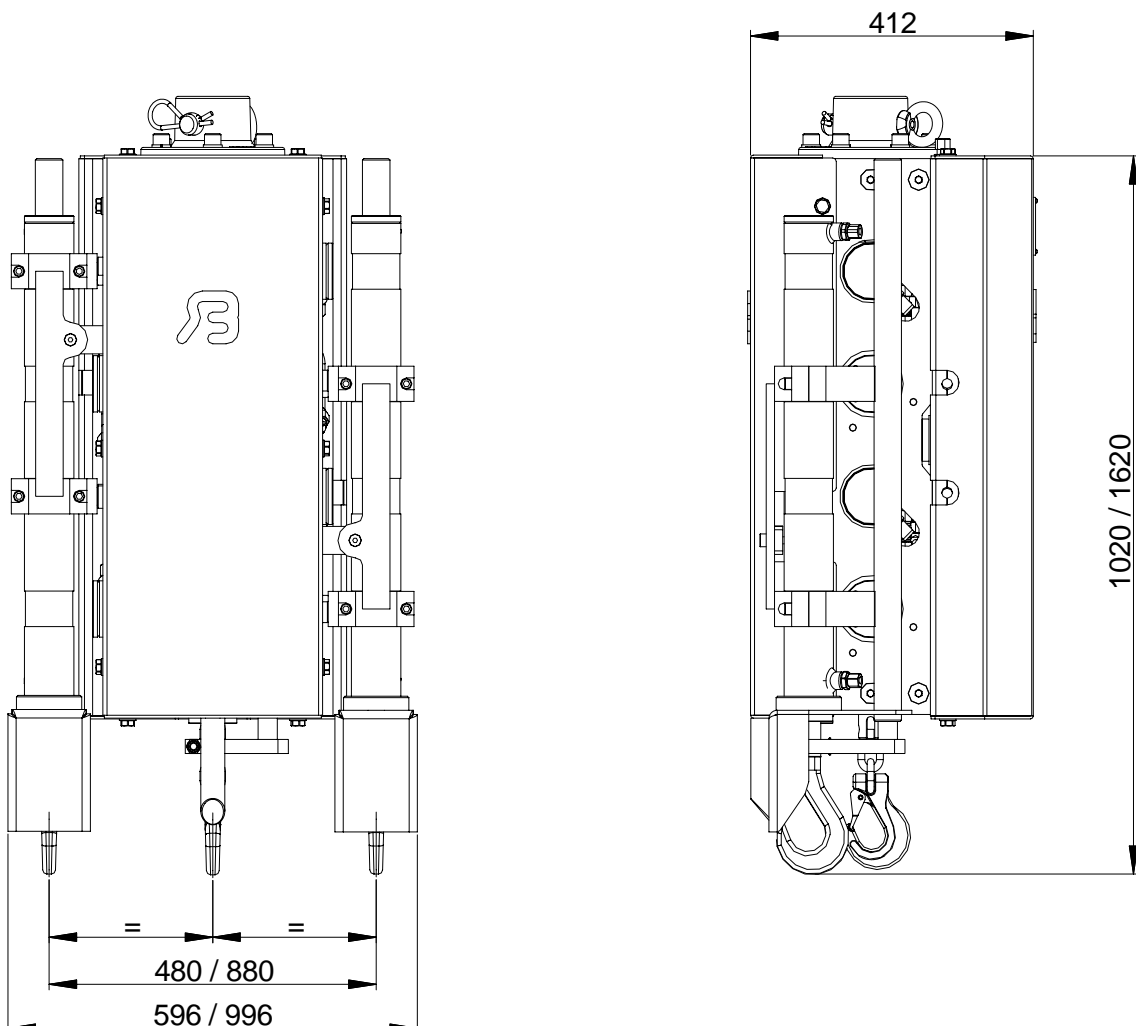
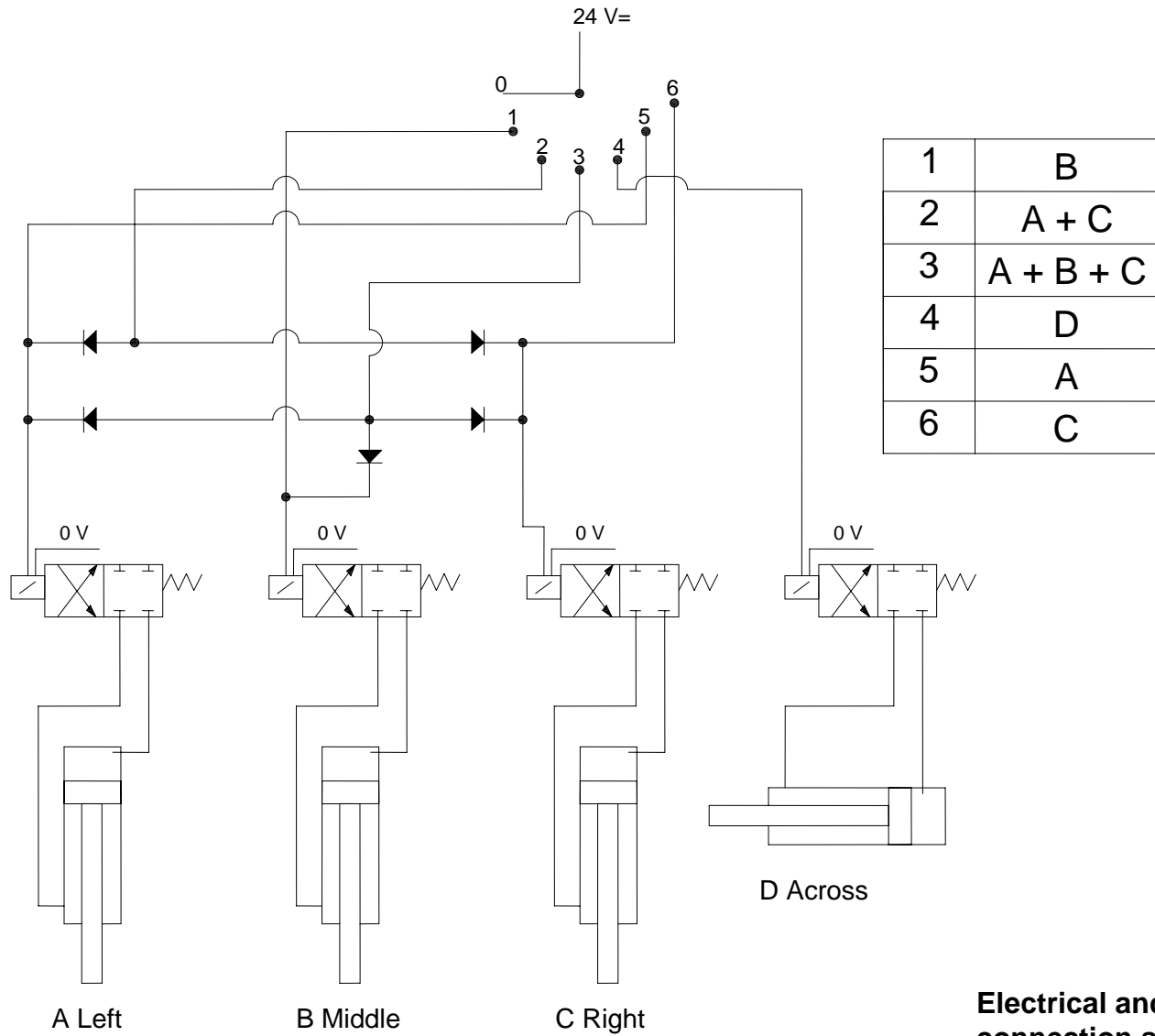


HOOK GRAB GEJO 20 rev C

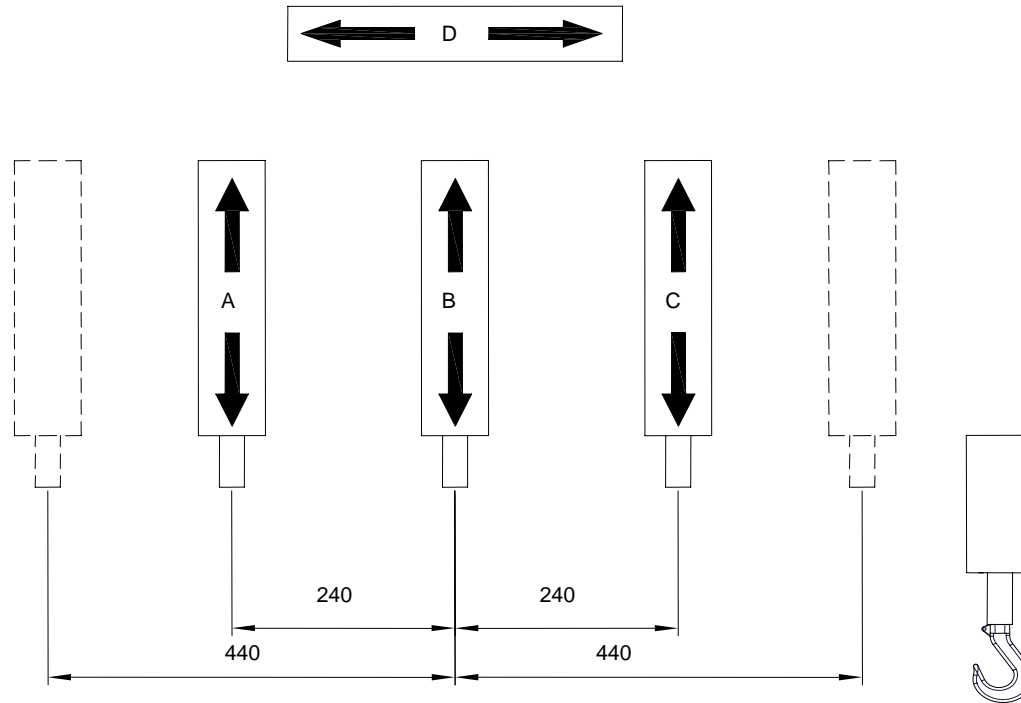
TECHNICAL DATA:

Type of hook grab	:	GEJO 20 rev C
Width adjustment	:	400 mm
Height adjustment	:	600 mm
Weight	:	260 Kg
Maximum working pressure	:	220 Bar
Maximum load	:	3 ton
Maximum oil flow	:	80 l/min
Electrical connection	:	24 volt DC



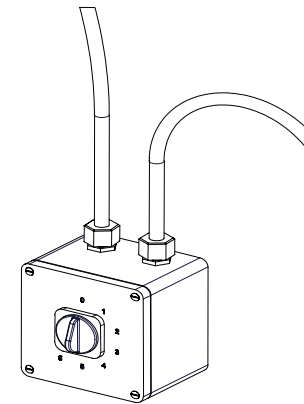


**Electrical and hydraulic
connection scheme GEJO 20 Rev C**



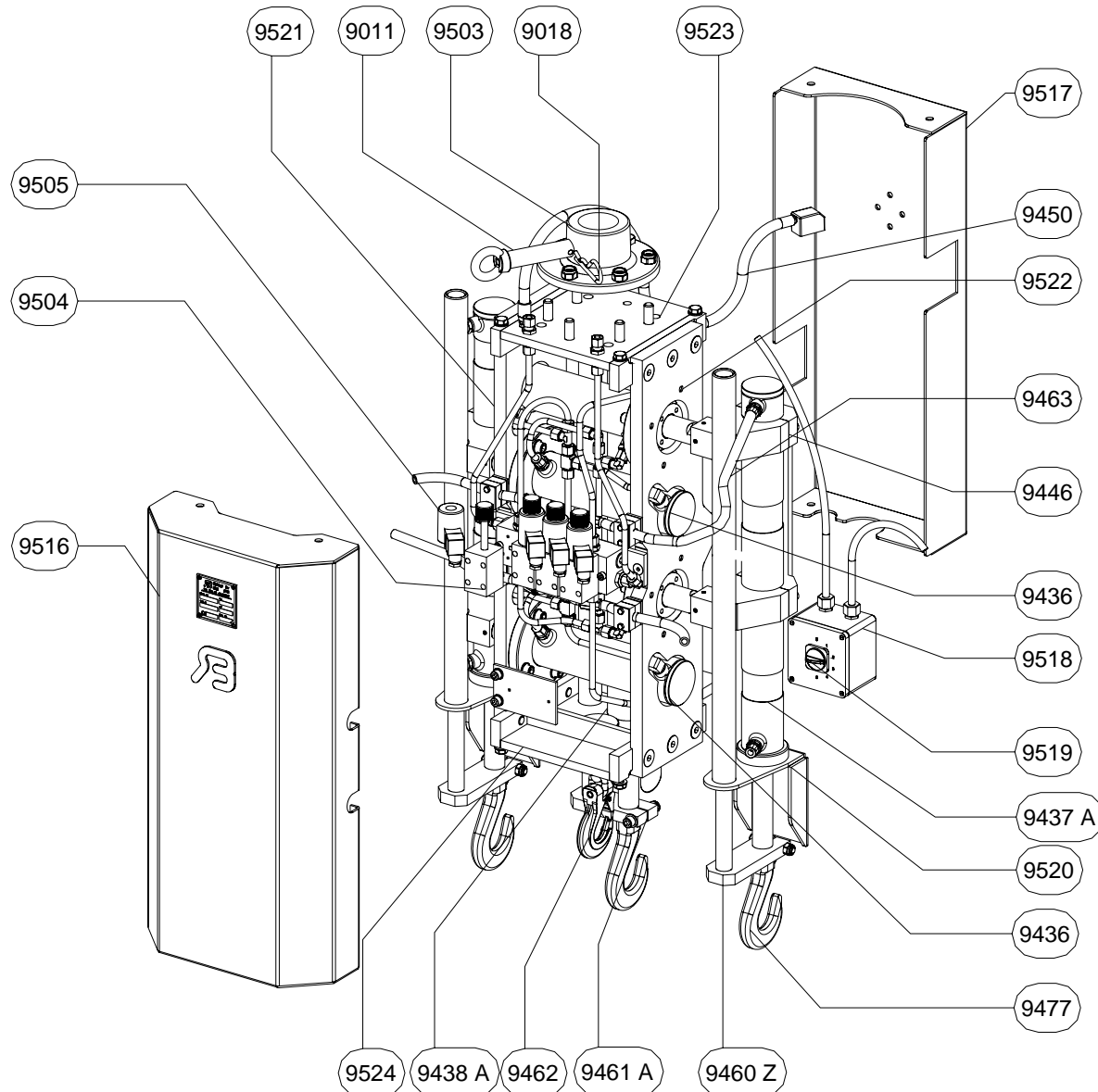
Operating view
GEJO 20

Switch position	CYLINDER
1	B
2	A+C
3	A+B+C
4	D
5	A
6	C



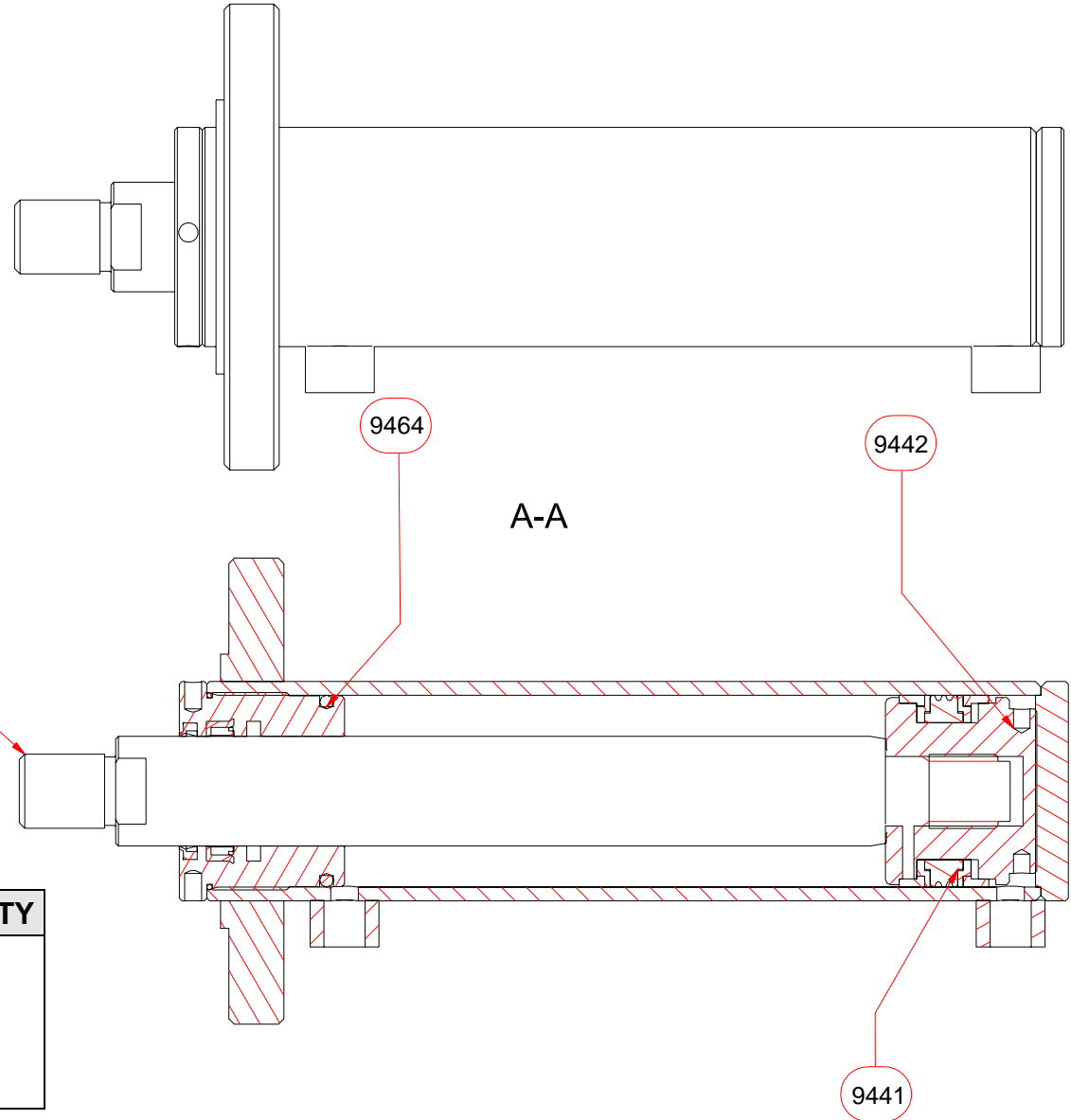
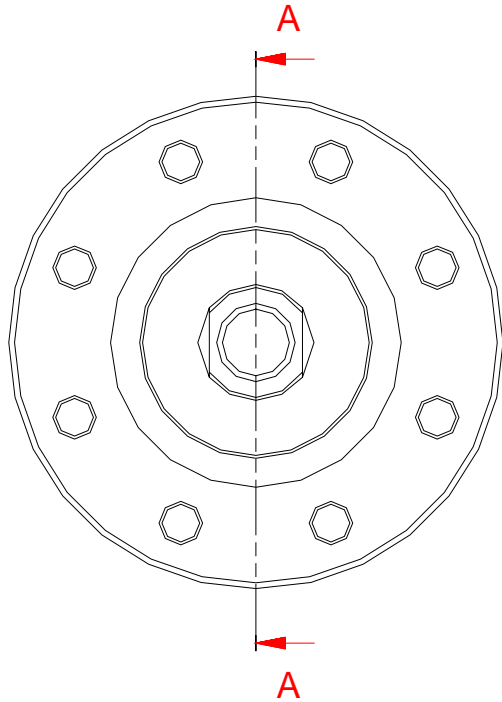
HOOK GRAB GEJO 20 rev C

SPARE PARTS



No.	Description	Quantity
9011	Suspension pin	1
9018	Hairpin spring for connector pin	1
9436	Cylinder 40-70-200	4
9437A	Cylinder 35-60-600 sides	2
9438A	Cylinder 35-60-600 centre	1
9446	Clamping block complete	4
9450	Connecting hose	1
9460Z	Guide piston rod sides	2
9461A	Guide piston rod centre	1
9462	Hook	1
9463	Hose cylinder 9437	4
9477	Hoisting hook	3
9503	Suspension plate	1
9504	Valve	4
9505	Coil 24V (valve 9504)	4
9516	Protecting hood rear side	1
9517	Protecting hood front	1
9518	Connecting set inside	1
9519	6 -step switch	1
9520	Hook security	2
9521	Side plate left GEJO 20 rev C	1
9522	Side plate right GEJO 20 rev C	1
9523	Top plate GEJO 20 rev C	1
9524	Bottom plate GEJO 20 rev C	1

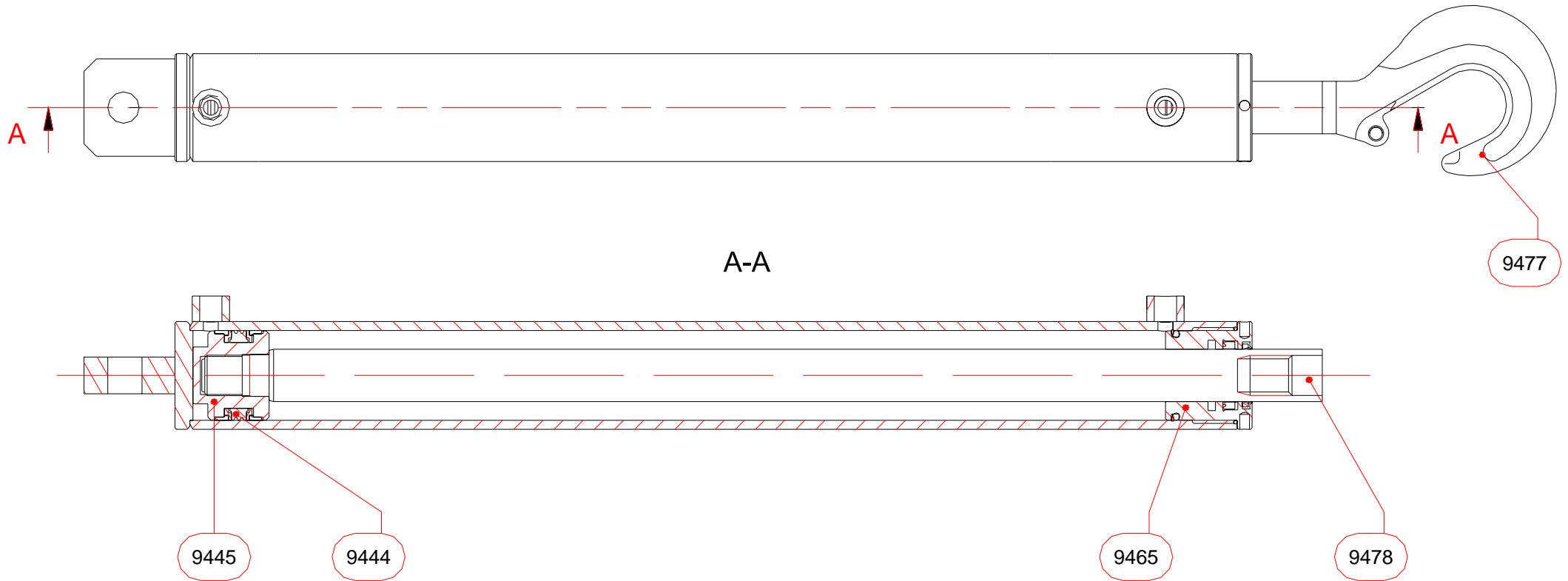
9436 Cylinder 40-70-200 GEJO 20



SPARE PARTS

No.	SPECIFICATION	QUANTITY
9440		
9441	PISTON ROD	1
9442	CYLINDER SEALS	1
9464	PISTON	1
	HEAD BUSH	1

9437A / 9438A Cylinder 35-60-600 GEJO 20



SPARE PARTS

No.	SPECIFICATION	QUANTITY
9444	CYLINDER SEALS	1
9445	PISTON	1
9465	HEAD BUSH	1
9477	HOISTING HOOK	1
9478	PISTON ROD	1