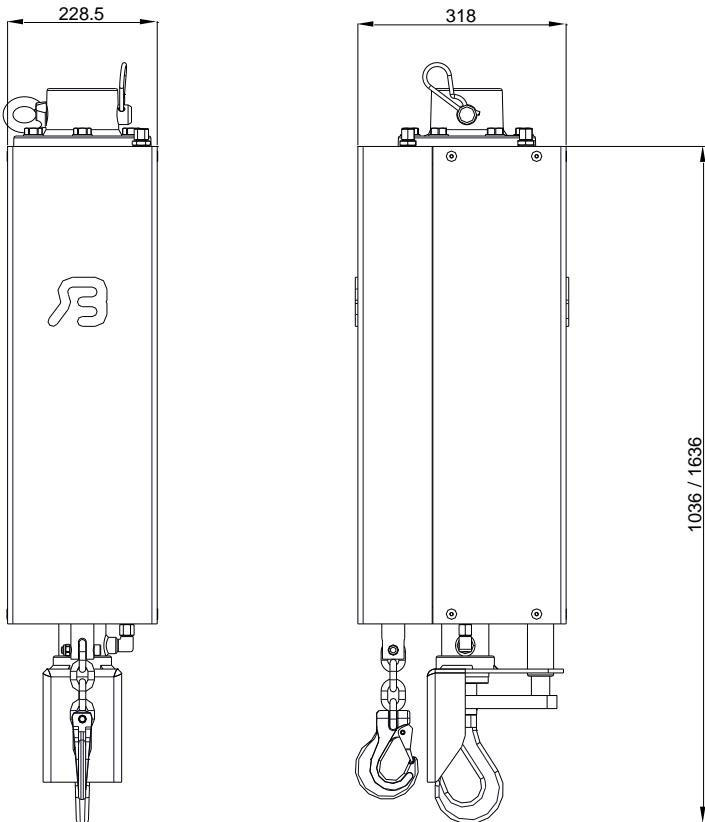


TECHNICAL DATA:

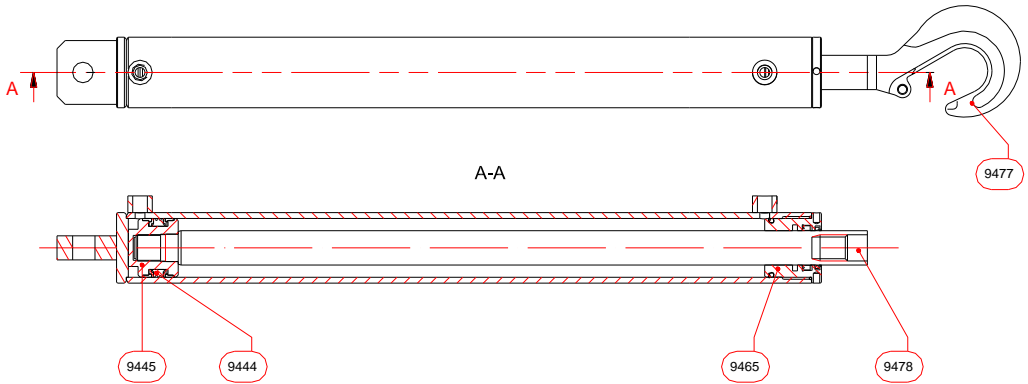
Type of hook grab	: GEJO 5 Rev. A
Height adjustment	: 600 mm
Weight	: 75 Kg
Maximum working pressure	: 220 bars
Maximum load	: 3000 kg
Maximum oil flow	: 80 l/min



SPARE PARTS

No.	Description	Quantity
9011	Suspension pin	1
9018	Hair pin spring	1
9416	Bolt	1
9438A	Cylinder 35-60-600	1
9460Z	Piston rod guiding	1
9462	Hook	1
9474	Hose	2
9476	Connecting rod	1
9477	Hoisting hook	1
9483	Bolt	12
9503	Suspension plate	1
9510	Bolt	6
9520	Hook safety	1
9530	Protecting hood front	1
9531	Protecting hood back	1

Cylinder 9438A 35-60-600



No.	Description	Quantity
9444	Seals	1
9445	Piston	1
9465	Head bush	1
9477	Hook	1
9478	Piston rod	1