

3 way pneumatic diverter constant opening



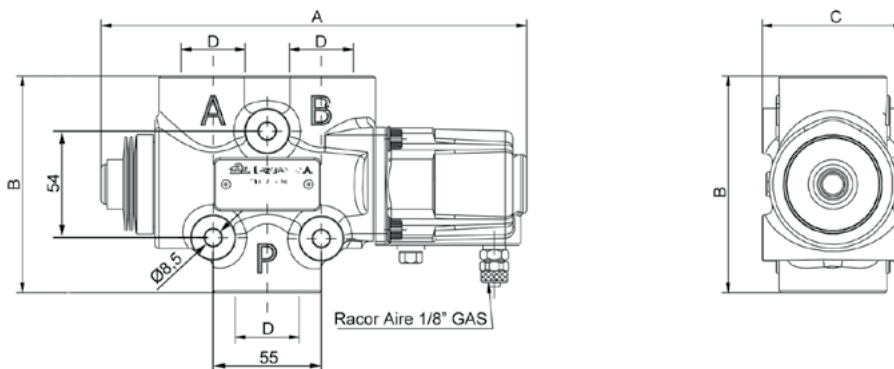
Description

Circuit selector valve with pneumatic shifting to operate from the cabin of the vehicle.

Technical Data

Part Number	901011	901111	
Maximum pressure	350 bar		
Maximum pressure to working slide	250 bar		
Maximum flow	180 L/min	150 L/min	
Air pressure	7-10 bar		
Dimensions	A	217	196
	B	110	80
	C	72	64
	D	1" GAS	3/4" GAS

Dimensions



Hydraulic Diagram

