

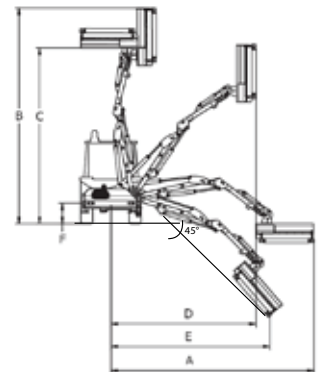
# DOC 303

For tractors 70-90 hp

## REAR HEDGE MOWERS

DOC 303 5.0

DOC 303 5.7



DOC 303	5.0	5.7
A (mm)	5.000	5.700
B (mm)	5.200	5.900
C (mm)	4.100	4.800
D (mm)	4.000	4.700
E (mm)	3.200	3.900
F (mm)	550	550

Hydraulic hedge mower with side shift and mechanical release safety device for tractors HP 70/90 and weight 3000/3500 kg, suitable for working on local and trunk roads and farms.

### ARM MOWER

### TRACTOR

Model	Extension E (mm)	Weight (kg)	Oil tank (L)	Head (model)	Pump (l/min)	Hydraulic Motor (HP [kW])	Power (HP [kW])	3-point linkage	Weight (kg)	Width (m)	PTO (rpm)
DOC 303 5.0	5.000	820	150	30.3	80+20	45 (33)	70 / 90 (51 / 66)	Cat. 1-2	3.000	2	540
DOC 303 5.7	5.700	880	150	30.3	80+20	45 (33)	70 / 90 (51 / 66)	Cat. 1-2	3.500	2,2	540



MECHANICAL RELEASE SAFETY DEVICE

## TECHNICAL FEATURES AND STANDARD EQUIPMENT

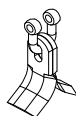
- Frame - 1st arm - 2nd arm in structural steel ST 52
- Three points attachment 2nd category
- Oil tank 150 l
- Double gear pump group 3+2 - 80+20 l/min
- Bidirectional hydraulic motor HP 45 power
- Distributor with remote controls with mm 3000 flexible cables
- Self-levelling floating system
- Feeler roller recordable on 3 positions
- Head rotating angle 200° with upper attachment
- Helicoidal rotor with jointed cut blade KC2
- Number revs to rotor 3000 rpm
- Fixing tie-rods
- Cardan joint
- Rear underrun protection with lights
- Flail head mm 1050 MODEL 30.3 TTD 105 with direct transmission



### KC2

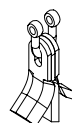
Ø max 2 cm

standard equipment



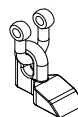
### KC3

Ø max 2 cm



### HC1

Ø max 4 cm



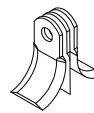
### KF2

Ø max 3 cm



### KF3

Ø max 3 cm



### HF3

Ø max 6 cm



## ACCESSORIES ON REQUEST

- Nitrogen accumulator for 1st arm suspension
- Heat exchanger
- On-off electro-hydraulic distributor with joystick
- Flail head mm 1250
- Rear attachment
- Power-assisted with joystick
- Tie rods adapter Cat. 1 o 2

## TERMINAL TOOLS - IN REPLACEMENT OF THE STANDARD MULCHER

HEDGE CUTTING BAR
BF15

BRANCH CUTTING BAR
BTZ5 15
BTZ5 18
BTZ10 16
BTZ10 19
BTZ10 22

FOREST DISCS CUTTING BAR
BD2
BD3

DISC BRANCH CUTTER
DFG12

DITCH CLEANER
PF60



pag. 26



pag. 27



pag. 28



pag. 29



pag. 30