

# DOC 302

For tractors 80-110 hp

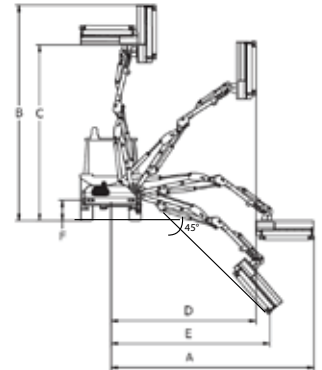
## REAR HEDGE MOWERS



DOC 302 5.5

DOC 302 6.0

DOC 302 6.5



DOC 302	5.5	6.0	6.5
A (mm)	5.500	6.000	6.500
B (mm)	5.700	6.200	6.700
C (mm)	4.400	4.500	5.400
D (mm)	4.300	4.800	5.300
E (mm)	3.500	4.000	4.500
F (mm)	550	550	550

Hydraulic hedge mower with side shift and 90° rotating column with shock resistant hydraulic safety device for tractors HP 80/110 and weight 3500/4500 kg, suitable for working on local and trunk roads and farms.

### ARM MOWER

### TRACTOR

Model	Extension E (mm)	Weight (kg)	Oil tank (L)	Head (model)	Pump (l/min)	Hydraulic Motor (HP [kW])	Power (HP [kW])	3-point linkage	Weight (kg)	Width (m)	PTO (rpm)
DOC 302 5.5	5.500	1.100	160	30.3 TTD 125	100+20	55 (40)	80 / 110 (60 / 82)	Cat. 2	3.500	2,4	540
DOC 302 6.0	6.000	1.150	160	30.3 TTD 125	100+20	55 (40)	80 / 110 (60 / 82)	Cat. 2	4.000	2,4	540
DOC 302 6.5	6.500	1.200	160	30.3 TTD 125	100+20	55 (40)	80 / 110 (60 / 82)	Cat. 2	4.500	2,4	540



SHOCK RESISTANT HYDRAULIC SAFETY DEVICE

## TECHNICAL FEATURES AND STANDARD EQUIPMENT

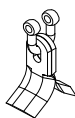
- Frame - 1st arm - 2nd arm in structural steel ST 52
- 90° rotating column and shock resistant hydraulic safety device
- Three points attachment 2nd category
- Oil tank 160 l
- Double gear pump group 3+2 - 100+20 l/min
- Bidirectional hydraulic motor HP 55 power
- Distributor with remote controls with mm 3000 flexible cables
- Self-levelling floating system
- Feeler roller recordable on 3 positions
- Head rotating angle 200° with upper attachment
- Helicoidal rotor with jointed cut blade KC2
- Number revs to rotor 3000 rpm
- Fixing tie-rods - Cardan joint
- Air-oil heat exchanger with radiating mass at high thermal exchange
- Rear underrun protection with lights
- Flail head mm 1250 MODEL 30.3 TTD 125 with direct transmission



### KC2

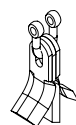
Ø max 2 cm

standard equipment



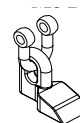
### KC3

Ø max 2 cm



### HC1

Ø max 4 cm



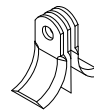
### KF2

Ø max 3 cm



### KF3

Ø max 3 cm



### HF3

Ø max 6 cm



## ACCESSORIES ON REQUEST

- Rear attachment 230°
- Nitrogen accumulator for 1st arm suspension
- Flail head mm 1050
- Flail head, type heavy, Mod. 30.5
- On-off electro-hydraulic distributor with joystick
- Belt transmission "TTC"
- Power-assisted with joystick
- Tie rods adapter Cat. 1 o 2

## TERMINAL TOOLS - IN REPLACEMENT OF THE STANDARD MULCHER

HEDGE CUTTING BAR	BRANCH CUTTING BAR	FOREST DISCS CUTTING BAR	DISC BRANCH CUTTER	DITCH CLEANER
BF15	BTZ5 15	BD2	DFG12	PF60
	BTZ5 18	BD3		
	BTZ10 16			
	BTZ10 19			
	BTZ10 22			



pag. 26



pag. 27



pag. 28



pag. 29



pag. 30