

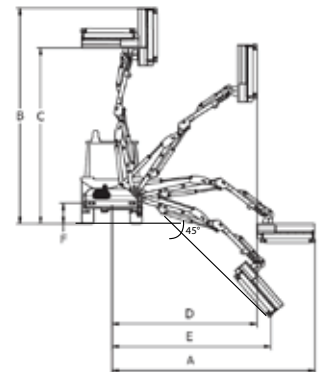
DOC 202

For tractors 50-70 hp

REAR HEDGE MOWERS

DOC 202 4.3

DOC 202 5.0



DOC 202	4.3	5.0
A (mm)	4.300	5.000
B (mm)	4.500	5.200
C (mm)	3.400	4.200
D (mm)	3.300	4.100
E (mm)	2.500	3.300
F (mm)	550	550



Hydraulic hedge mower with side shift and 90° rotating column with shock resistant hydraulic safety device for tractors HP 50/70 and weight 2400/2800 kg, suitable for working on local and trunk roads and farms.

ARM MOWER

TRACTOR

Model	Extension E (mm)	Weight (kg)	Oil tank (L)	Head (model)	Pump (l/min)	Hydraulic Motor (HP [kW])	Power (HP [kW])	3-point linkage	Weight (kg)	Width (m)	PTO (rpm)
DOC 202 4.3	4.300	730	100	20.2	60+15	35 (26)	50 / 70 (37 / 52)	Cat. 1-2	2.400	1,80	540
DOC 202 5.0	5.000	760	100	20.2	60+15	35 (26)	50 / 70 (37 / 52)	Cat. 1-2	2.800	2	540



SHOCK RESISTANT HYDRAULIC SAFETY DEVICE

TECHNICAL FEATURES AND STANDARD EQUIPMENT

- Frame - 1st arm - 2nd arm in structural steel ST 52
- 90° rotating column and shock resistant hydraulic safety device
- Three points attachment 2nd category
- Oil tank 100 l
- Double gear pump group 3+2 - 60+15 l/min
- Bidirectional hydraulic motor HP 35 power
- Distributor with remote controls with mm 3000 flexible cables
- Self-levelling floating system
- Feeler roller recordable on 3 positions
- Head rotating angle 200°
- Helicoidal rotor with jointed cut blade KC1
- Number revs to rotor 3000 rpm
- Fixing tie-rods - Cardan joint
- Rear underrun protection with lights
- Flail head mm 1050 MODEL 20.2 TTD 105 with direct transmission



KC1
Ø max 3 cm

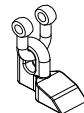
standard equipment



HF2 Ø
max 5 cm



HC1 Ø max 4 cm



ACCESSORIES ON REQUEST

- Heat exchanger
- On-off electro-hydraulic distributor with joystick
- Flail head mm 900 T3 90
- Flail head mm 700 T3 70
- Power-assisted with joystick
- Tie rods adapter Cat. 1 o 2

TERMINAL TOOLS - IN REPLACEMENT OF THE STANDARD MULCHER

HEDGE CUTTING BAR

BF15



pag. 26

BRANCH CUTTING BAR

BTZ5 15

BTZ5 18

BTZ10 16



pag. 27

FOREST DISCS CUTTING BAR

BD2



pag. 28

DITCH CLEANER

PF60



pag. 30