

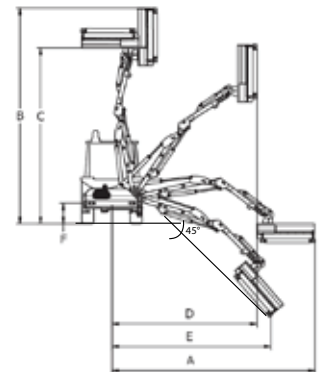
# DOC 201

For tractors 50-70 hp

## REAR HEDGE MOWERS

DOC 201 4.3

DOC 201 5.0



DOC 201	4.3	5.0
A (mm)	4.300	5.000
B (mm)	4.500	5.200
C (mm)	3.200	4.000
D (mm)	3.100	3.900
E (mm)	2.300	3.100
F (mm)	550	550



Hydraulic hedge mower with side shift and mechanical release safety device for tractors HP 50/80 and weight 2000/2500 kg, suitable for working on local and trunk roads and farms.

### ARM MOWER

### TRACTOR

Modello Model	Extension E (mm)	Weight (kg)	Oil tank (L)	Head (model)	Pump (l/min)	Hydraulic Motor (HP [kW])	Power (HP [kW])	3-point linkage	Weight (kg)	Width (m)	PTO (rpm)
DOC 201 4.3	4.300	650	100	20.2	60+15	35 (26)	50 / 70 (37 / 52)	Cat. 1-2	2.000	1,80	540
DOC 201 5.0	5.000	685	100	20.2	60+15	35 (26)	50 / 70 (37 / 52)	Cat. 1-2	2.500	2	540



MECHANICAL RELEASE SAFETY DEVICE

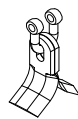
## TECHNICAL FEATURES AND STANDARD EQUIPMENT

- Frame - 1st arm - 2nd arm in structural steel ST 52
- Three points attachment 2nd category
- Oil tank 100 l
- Double gear pump group 3+2 - 60+15 l/min
- Bidirectional hydraulic motor HP 42 power
- Distributor with remote controls with mm 3000 flexible cables
- Self-levelling floating system
- Feeler roller recordable on 3 positions
- Head rotating angle 200°
- Helicoidal rotor with jointed cut blade KC1
- Number revs to rotor 3000 rpm
- Fixing tie-rods
- Cardan joint
- Rear underrun protection with lights
- Flail head mm 1050 MODEL 20.2 TTD 105 with direct transmission



**KC1**  
Ø max 3 cm

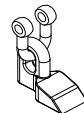
standard equipment



**HF2** Ø  
max 5 cm



**HC1** Ø max 4 cm



## ACCESSORIES ON REQUEST

Heat exchanger

On-off electro-hydraulic distributor with joystick

Flail head mm 900 T3 90

Flail head mm 700 T3 70

Power-assisted with joystick

Tie rods adapter Cat. 1 o 2

## TERMINAL TOOLS - IN REPLACEMENT OF THE STANDARD MULCHER

HEDGE CUTTING BAR

BF15

BRANCH CUTTING BAR

BTZ5 15

BTZ5 18

BTZ10 16

FOREST DISCS CUTTING BAR

BD2

DITCH CLEANER

PF60



pag. 26



pag. 27



pag. 28



pag. 30