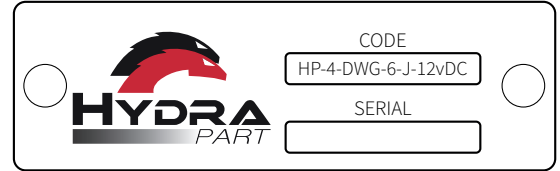




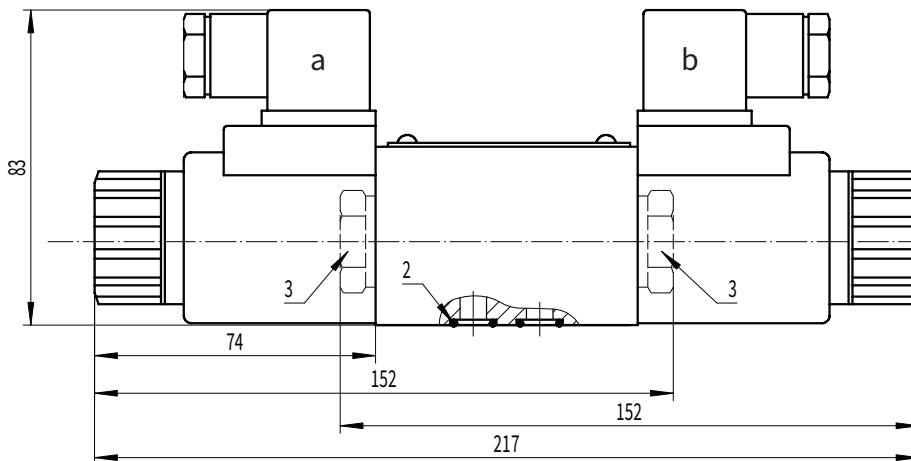
# CETOP 3 Solenoid Valves

Hydra Part CETOP valves are used for a wide variety of mobile and industrial applications. The inter-changeable coils control the flow of oil through various port configurations.

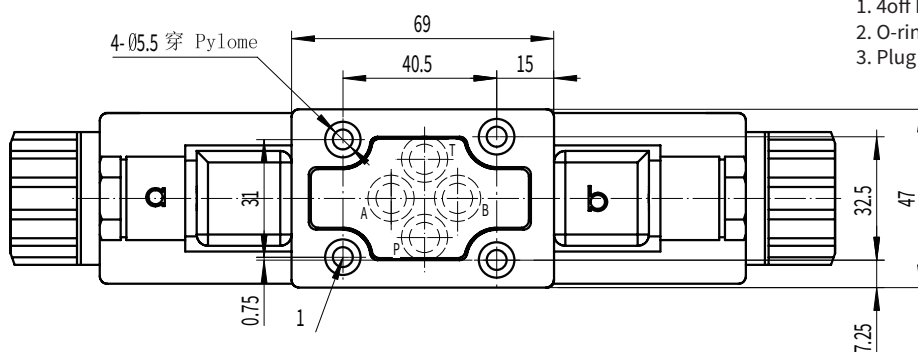
**OPTIONS:** 1. Single or double solenoid - 2. Coils: 12vDC, 24vDC, 110vAC, 220vAC



HYDRA PART	4 WAY	VALVE TYPE	SIZE	SPOOL TYPE	POWER INPUT
<b>X</b>	<b>X</b>	<b>X</b>	<b>X</b>	<b>X</b>	<b>X</b>



## Subplate Installation



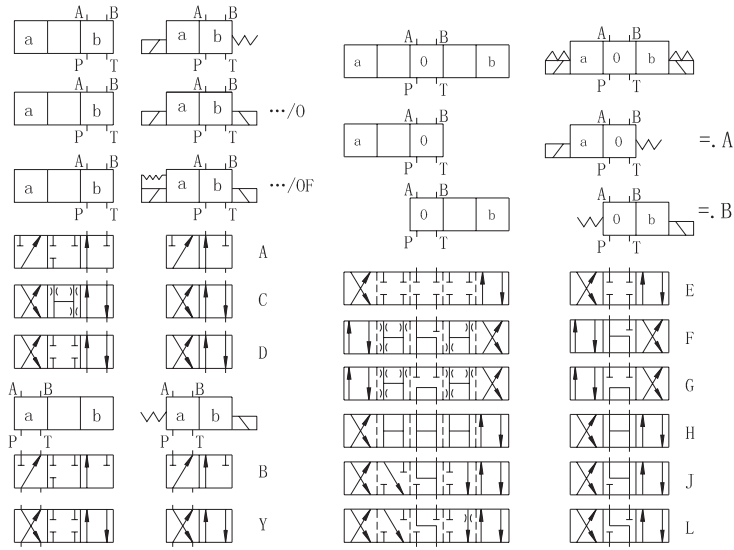
1. 4off M5 x 45 Bolts - Tightening torque: Ma=8.9Nm
2. O-ring -  $\phi 12.3 \times 1.9$
3. Plug screw for single solenoid valve

## Technical data

Size	6
(L/min) Max.flow rate(L/min)	60
(MPa) Operating pressure(MPa)	A、B、P oil port 31.5 T oil port 16
Weight(KGS)	2.2
Valve body ( Material ) Surface treatment	casting phosphating surface
Oil cleanliness	NAS1638 class 9 and ISO4406 class 20/18/15



### SPOOL OPTION (SYMBOLS)



**EXAMPLE:**  
 Spool Symbol "E" with position "a"  
 Ordering Code = EA

