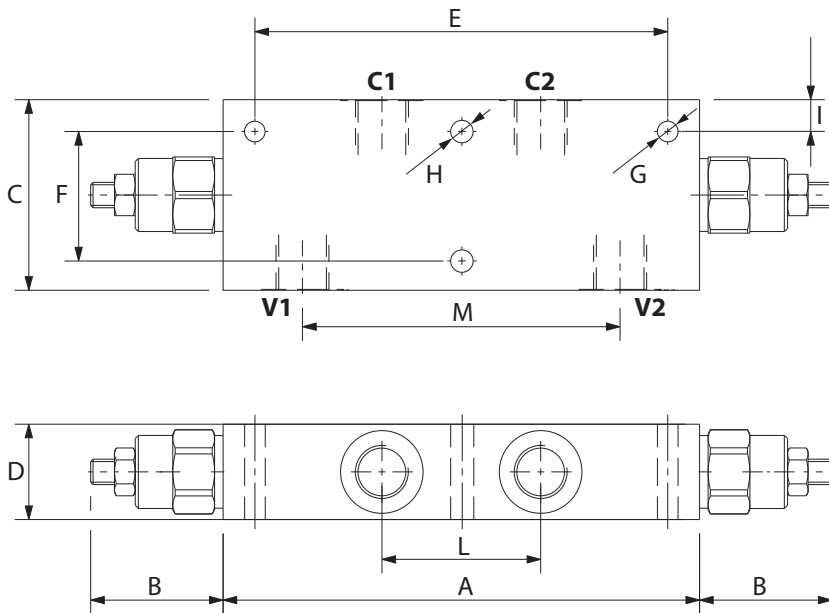
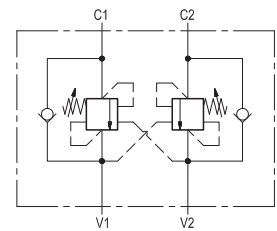


### Dimensions

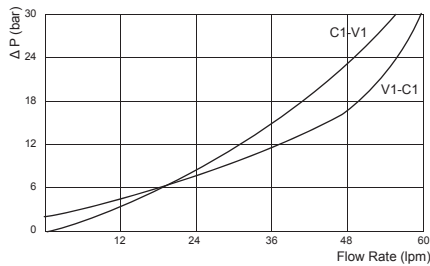


Size	A	B	C	C1 - C2 V1 - V2 BSP	D	E	F	G	H	I	L	M	Weight kg
02	151	46	55	3/8	30	130	38	6,5	8,5	10	47,6	109,6	1,83
03	151	46	65	1/2	35	130	43	6,5	8,5	10	47,6	109,6	2,48

### Hydraulic Symbol



### Curves



### Features

Rated Flow	60 lpm
Max Pressure	350 bar

**Notice:** Relief setting at least 1,3 times the highest expected load-induced pressure.

**Materials:** Zinc plated steel manifold, hardened steel inner parts.

### Ordering Code

**CBDL**    --    --    -

Port Size BSP	
02	3/8
03	1/2

	Pressure Range (bar)	Increase (bar/turn)	Standard Setting (bar) Q=5 lpm
20	60 - 210	61	200
30	100 - 350	138	350

Pilot Ratio	
	4,2 : 1
8	8 : 1

**Ordering Code Example:** CBDL0330 = 1/2 BSP Ports - 100-350 bar setting range, 4,2:1 Pilot Ratio.