

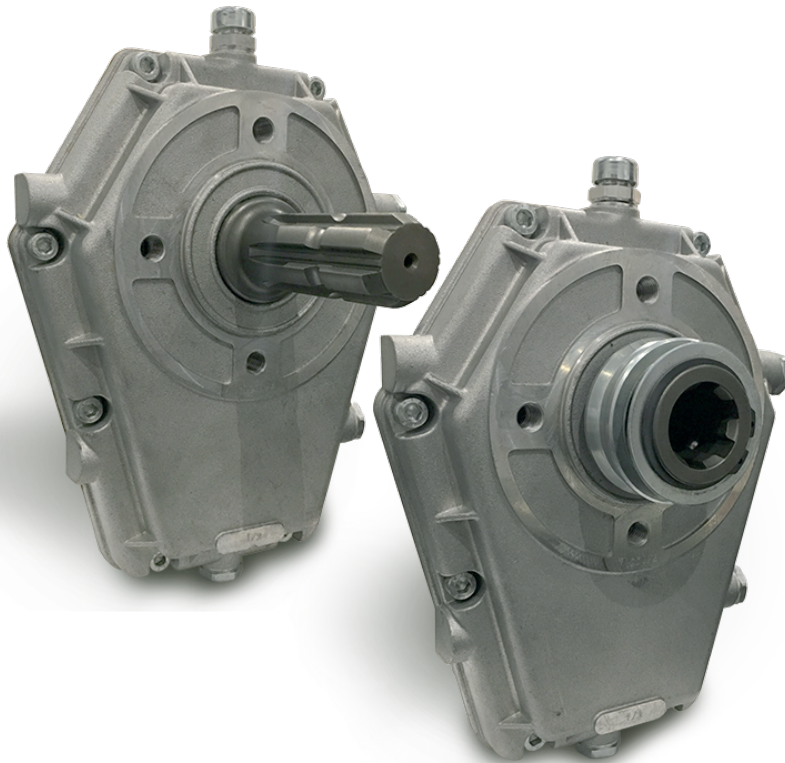


HYDRA

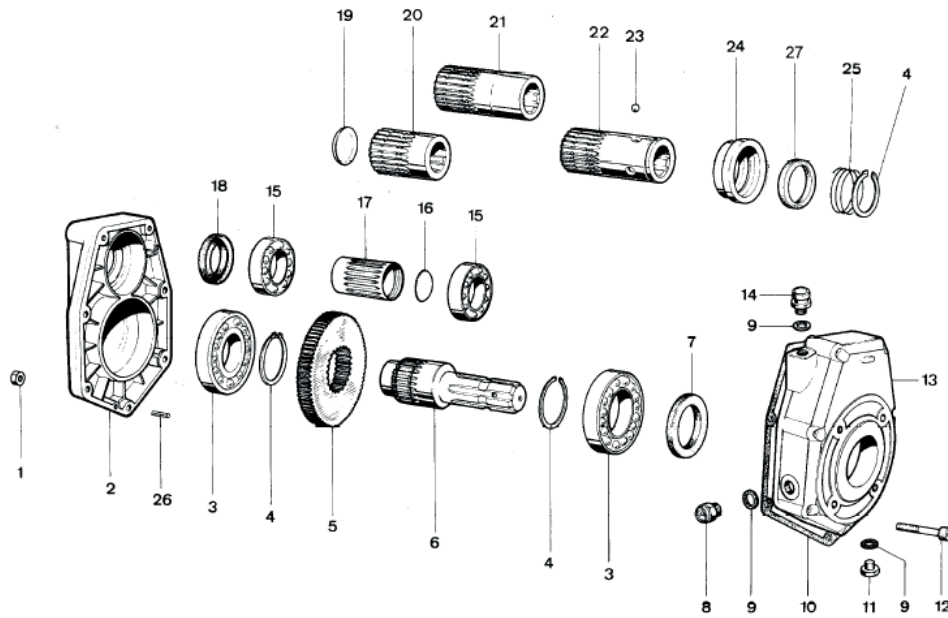
6000/7000 Series

PART

Agricultural PTO Gearboxes

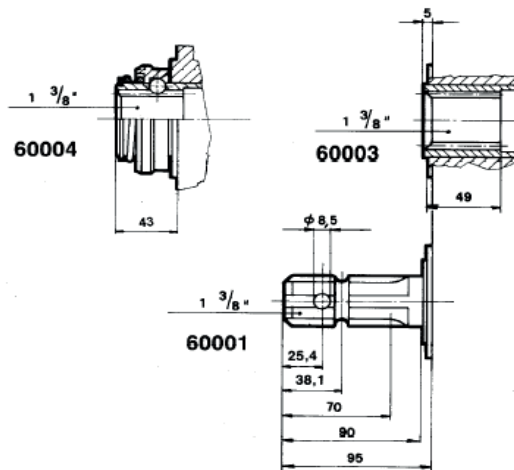
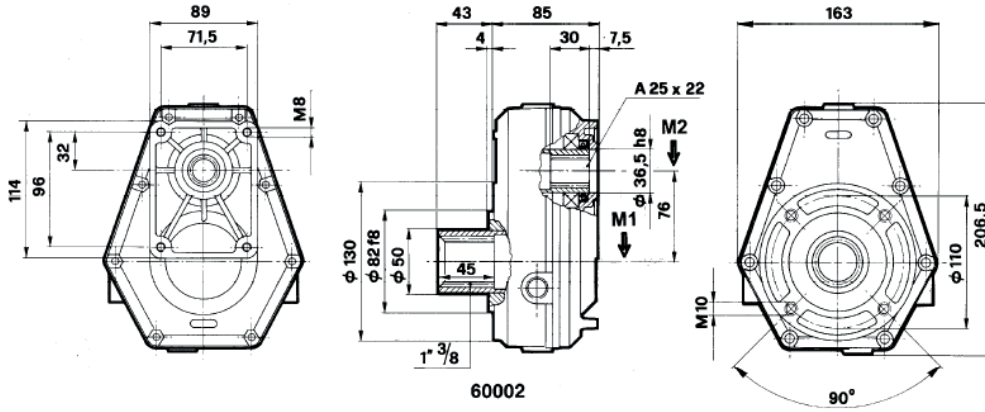


SPARE PARTS FOR SERIE 60000



No	Description	Quantity
1	Nut M6	8
2	Cover	1
3	Bearing type 6010	2
4	Snap ring Φ 50	3
5	Ring gear	1
6	Male P.T.O. shaft 1" 3/8	1
7	Sealing ring Φ 50x65x8	1
8	Oil level plug 3/8"	1
9	Gasket	3
10	Gasket	1
11	Oil drain plug 3/8"	1
12	Socket capscrew M6x50	8
13	Housing	1
14	Oil breather plug 3/8"	1
15	Bearing type 6007	2
16	Cap DIN 470 Φ 27	1
17	Pinion gear	1
18	Sealing ring Φ 35x52x7	1
19	Cap DIN 470 Φ 40	1
20	Female P.T.O. shaft 1" 3/8 short	1
21	Female P.T.O. shaft 1" 3/8 long	1
22	Female P.T.O. shaft quick fitting	1
23	Ball	3
24	Spring ring	1
25	Spring	1
26	Peg 5x16	2
27	Ring	1

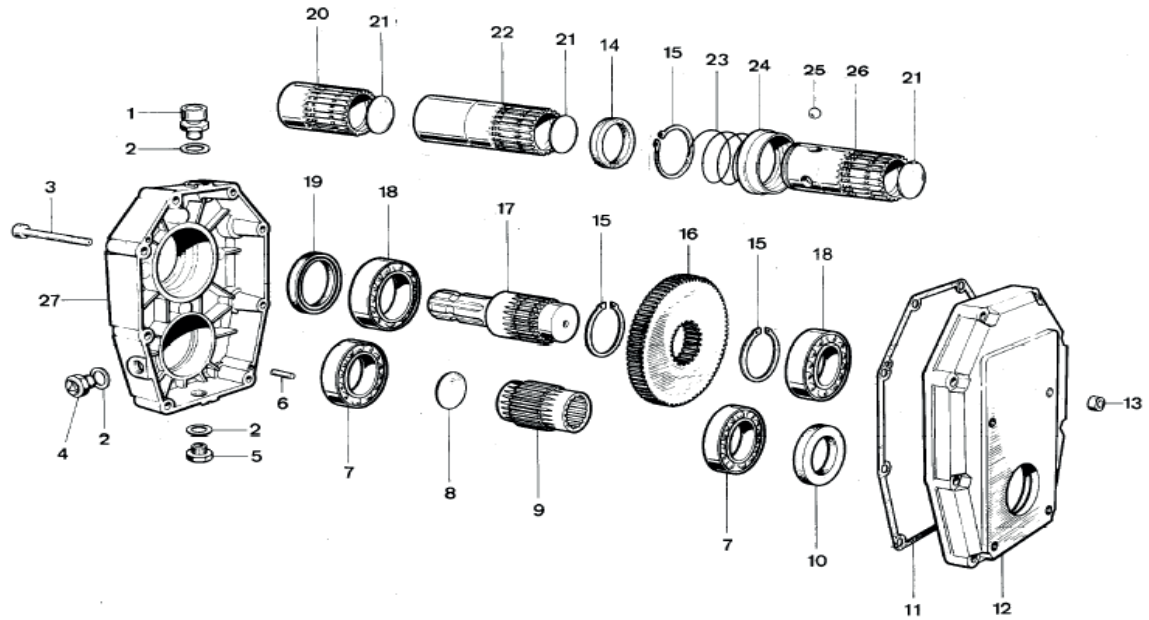
TECHNICAL INFORMATION



Moment/M1 daNm	Moment/M2 daNm	Speed/N1 rpm	Speed/N2 rpm	N2/N1	Power kW	Weight kg
17.8	11.9	540	810	1.5	10	5.5
15.2	7.6	540	1080	2	10	5.5
16.5	6.6	540	1350	2.5	10	5.5
18	5.5	540	1680	3	10	5.5
18.6	5.8	540	1836	3.5	10	5.5
15.9	4.2	540	2052	3.8	10	5.5

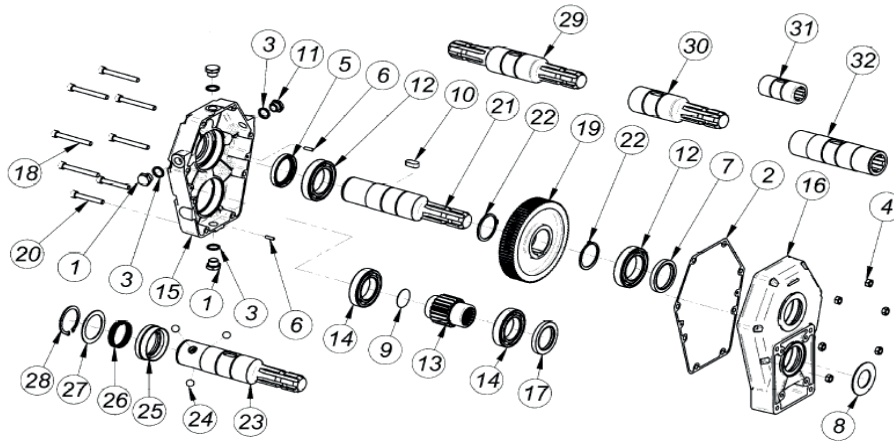
**Max. Oil Level: 0.22 lt*

SPARE PARTS FOR SERIE 70000



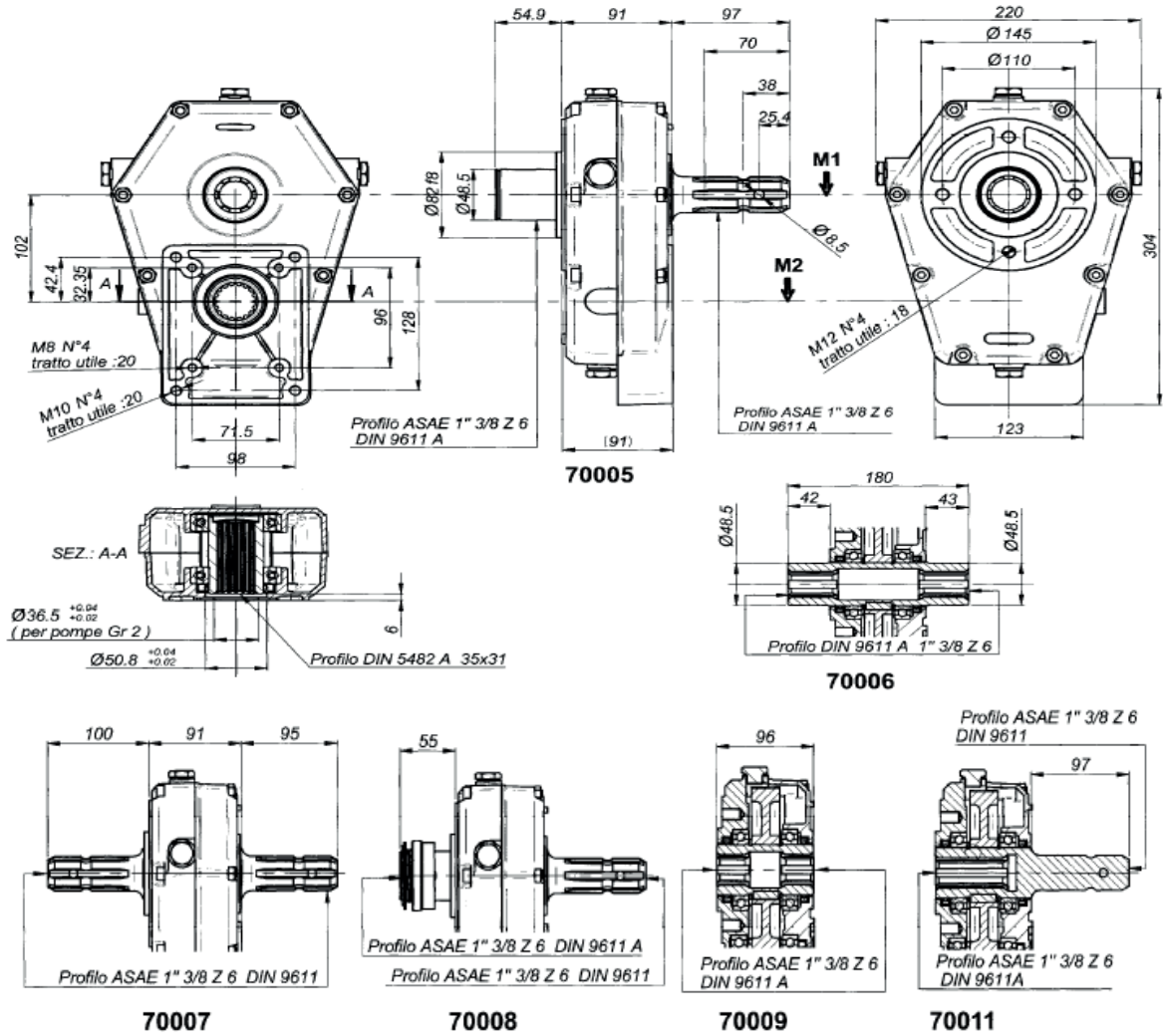
No	Description	Quantity
1	Oil breather plug 3/8"	1
2	Gasket	2
3	Socket capscrew M8x70	8
4	Oil level plug 3/8"	1
5	Oil drain plug 3/8"	1
6	Peg	2
7	Bearing type 6009	2
8	Cap DIN 470 Φ 37	1
9	Pinion gear	1
10	Sealing ring Φ 45x65x8	1
11	Gasket	1
12	Cover	1
13	Nut M8	8
14	Ring	1
15	Snap ring Φ 50	3
16	Ring gear	1
17	Male P.T.O. shaft 1" 3/8	1
18	Bearing type 6010	2
19	Sealing ring Φ 50x65x8	1
20	Female P.T.O. shaft 1" 3/8 short	1
21	Cap DIN 470 Φ 40	3
22	Female P.T.O. shaft 1" 3/8 long	1
23	Spring	1
24	Ring	1
25	Ball	3
26	Female P.T.O. shaft quick fitting	1
27	Housing	1

SPARE PARTS FOR SERIE 70000



No	Description	Quantity
1	Oil drain plug 3/8"	3
2	Gasket	1
3	Gasket	4
4	Nut M8	6
5	Sealing ring Φ 50x65x8	1
6	Peg UNI 8751 5x16	2
7	Sealing ring Φ 50x65x8	1
8	Centering ring for pump group 2	1
9	Cap DIN 470 Φ 37	1
10	Key 12x25	1
11	Oil drain plug 3/8"	1
12	Bearing 6010	2
13	Pinion gear	1
14	Bearing 6009	2
15	Housing	1
16	Cover	1
17	Sealing ring Φ 45x65x8	1
18	Socket capscrew M8x70	6
19	Ring gear	1
20	Socket capscrew M8x55	2
21	Female/Male P.T.O. shaft 1" 3/8 Z6	1
22	Snap ring Φ 50	2
23	Female/Male P.T.O. quick fitting shaft 1" 3/8 Z6	1
24	Ball	3
25	Spring ring	1
26	Spring	1
27	Ring	1
28	Snap ring UNI 7435-50	1
29	Male/Male P.T.O. shaft 1" 3/8 Z6	1
30	Female/Male P.T.O. shaft 1" 3/8 Z6 short	1
31	Female P.T.O. shaft 1" 3/8 Z6 short	1
32	Female P.T.O. shaft 1" 3/8 Z6	1

TECHNICAL INFORMATION



Moment/M1 daNm	Moment/M2 daNm	Speed/N1 rpm	Speed/N2 rpm	N2/N1	Power kW	Weight kg
31	31	540	540	1	20	9.5
38	26	540	810	1.5	20	9.5
43	21	540	1080	2	20	9.5
46	18	540	1408	2.5	20	9.5
49	16	540	1620	3	20	9.5
46	13	540	1836	3.5	20	9.5
43.7	11.5	540	2057	3.8	20	9.5

*Max. Oil Level: 0.35 lt