



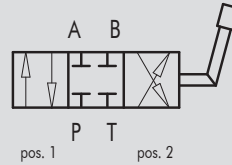
# 4-WAYS MANUAL DIVERTER VALVE

This valve is used to reverse oil flow from 2 ways in towards two ways out. It could be used to control double acting actuators or to reverse the rotation of a hydraulic motor.

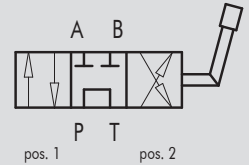


**Body:** cast iron  
**Internal parts:** hardened and ground steel  
**Seals:** BUNA N standard  
**Tightness:** low leakage

HYDRAULIC DIAGRAM  
(with closed centre)



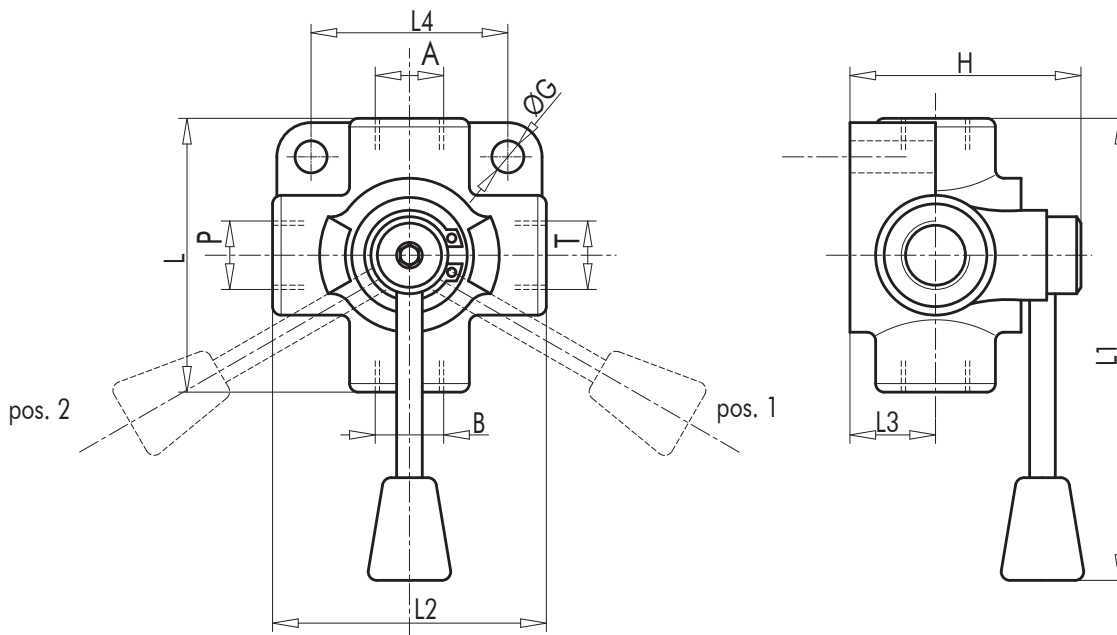
ON REQUEST  
(with opened centre)



### APPLICATIONS:

Connect P to the pressure flow, T to the tank and ports A and B to the actuators or motor. With lever in position 1, P is connected to A and at the same time B drains into the tank T; with lever in position 2, P is connected to B and at the same time A drains into tank T. With lever in central position all ports are closed (closed centre).

CODICE CODE	SIGLA TYPE	PORTATA MAX MAX FLOW Lt./min	PRESSIONE MAX MAX PRESSURE Bar
V0970	IF 4 VIE "	35	250
V0980	IF 4 VIE 1/2"	60	250
V0990	IF 4 VIE 3/4"	100	250



CODICE CODE	SIGLA TYPE	A - B P - T	L	L1	L2	L3	L4	ØG	H	PESO WEIGHT
		GAS	mm	mm	mm	mm	mm	mm	mm	Kg
V0970	IF 4 VIE "	G "	76	140	76	26	54	8,5	72	1,346
V0980	IF 4 VIE 1/2"	G 1/2"	88	145	88	30	65	8,5	82	1,928
V0990	IF 4 VIE 3/4"	G 3/4"	95	180	95	32	74	8,5	90	2,534



PRESSURE DROPS CURVE Oil temperature: 50 °C - Oil viscosity: 30 cSt

