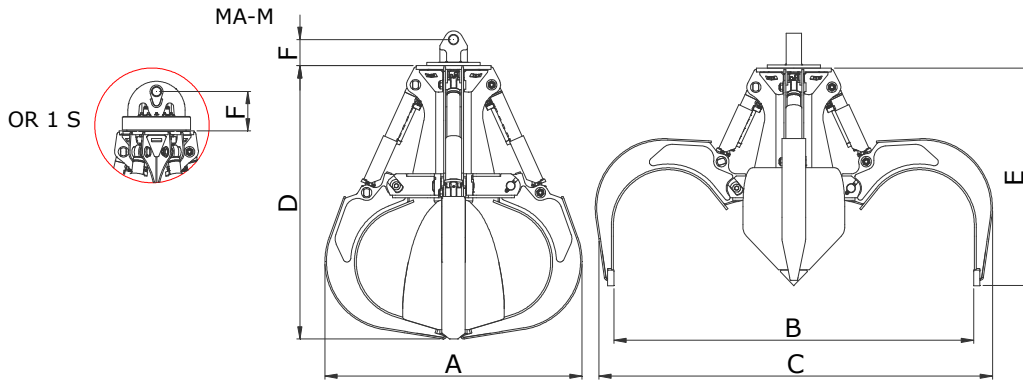




Hydraulic Equipment Industries

MPV - FH



MODELLO MODEL MODÈLE MODELL	CAPACITÀ CAPACITÉ INHALT	PRESSIONE PRESSION DRUCK	DENTI/PESO TEETH/WEIGHT DENTS/POIDS ZÄHNE/GEWICHT			FORZA FORCE FORCE KRAFT	DIMENSIONI (mm) SIZES (mm) DIMENSIONS (mm) ABMESSUNGEN (mm)						MACCHINA MACHINE MACHINE MASCHINE
							LT	MAX-BAR	n°/KG			t	
MPV 1500 FH	1.500	330	4/2100	5/2300	6/2500	3.3	2020	2830	3130	2150	1720	210	33-50
MPV 1500 FH - OR 1 S	1.500	330	4/2260	5/2460	6/2660	3.3	2020	2830	3130	2150	1720	310	33-50
MPV 2000 FH	2.000	330	4/2400	5/2600	6/2800	3.0	2110	3060	3340	2280	1750	210	35-50
MPV 2000 FH - OR 1 S	2.000	330	4/2560	5/2760	6/2960	3.0	2110	3060	3340	2280	1750	310	35-50



Call for advice on: 0844 770 7969 e-mail us: sales@approvedhydraulics.co.uk