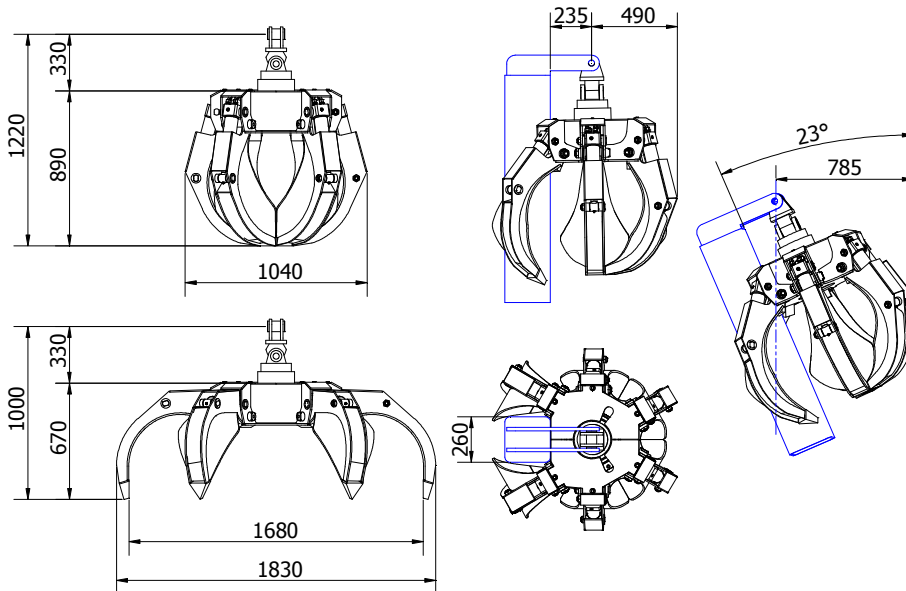




Hydraulic Equipment Industries

MPOS – P ZL



MODELLO MODEL MODÈLE MODELL	CAPACITA' CAPACITY CAPACITÉ INHALT	PRESSIONE PRESSURE PRESSION DRUCK	DENTI/PESO TEETH/WEIGHT DENTS/POIDS ZÄHNE/GEWICHT			FORZA FORCE FORCE KRAFT	MACCHINA MACHINE MACHINE MASCHINE
	LT	MAX-BAR	n°/KG			t	MAX- TON
MPOS 300 PZ	300	300	-	-	6/420	1.1	7-12
MPOS 300 PZ RI	300	300	-	-	6/465	1.1	7-12



Call for advice on: 0844 770 7969 e-mail us: sales@approvedhydraulics.co.uk