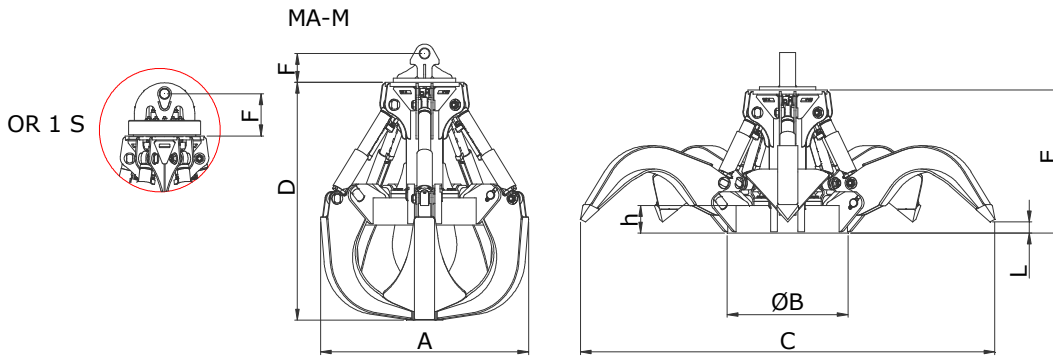




Hydraulic Equipment Industries

MPV - FH EL



MODELLO MODEL MODÈLE MODELL	CAPACITA' CAPACITY CAPACITE INHALT		DENT/PESO TEETH/WEIGHT DENTS/POIDS ZÄHNE/GEWICHT		FORZA FORCE FORCE KRAFT		MAGNETE MAGNET AIMANT MAGNETEN		DIMENSIONI (mm) SIZES (mm) DIMENSIONS (mm) ABMESSUNGEN (mm)						PORTATA CAPACITY PORTÉE TRAGFÄHIGKEIT		MACCHINA MACHINE MACHINE MASCHINE	
	LT	MAX-BAR	n°/KG		t	Ø	A	C	D	E	F	L	t	V	KW	MAX-TON		
MPV 450 FH EL	450	330	4/1550	5/1600	2.2	800x200h	1380	2760	1640	1030	210	60	7	220	3	24-30		
MPV 450 FH EL - OR 1 S	450	330	4/2030	5/2080	2.2	800x200h	1380	2760	1640	1030	310	60	8	220	3	24-30		
MPV 550 FH EL	550	330	4/1620	5/1680	2.1	800x200h	1380	2860	1700	1030	210	80	7	220	3	24-30		
MPV 550 FH EL - OR 1 S	550	330	4/2100	5/2160	2.1	800x200h	1380	2860	1700	1030	310	80	8	220	3	24-30		
MPV 700 FH EL	700	330	4/1980	5/2130	1.9	900x250h	1580	3250	1740	960	210	80	7	220	4,5	25-45		
MPV 700 FH EL - OR 1 S	700	330	4/2630	5/2780	1.9	900x250h	1580	3250	1740	960	310	80	8	220	4,5	25-45		
MPV 800 FH EL	800	330	4/2190	5/2340	1.8	1000x250h	1660	3370	1730	1090	210	80	7	220	5,5	28-45		
MPV 800 FH EL - OR 1 S	800	330	4/2940	5/3090	1.8	1000x250h	1660	3370	1730	1090	310	80	8	220	5,5	28-45		
MPV 1000 FH EL	1000	330	4/2380	5/2450	1.6	1000x250h	1730	3650	1880	1090	210	150	7	220	5,5	30-45		
MPV 1000 FH EL - OR 1 S	1000	330	4/3130	5/3200	1.6	1000x250h	1730	3650	1880	1090	310	150	8	220	5,5	30-45		



Call for advice on: 0844 770 7969 e-mail us: sales@approvedhydraulics.co.uk