

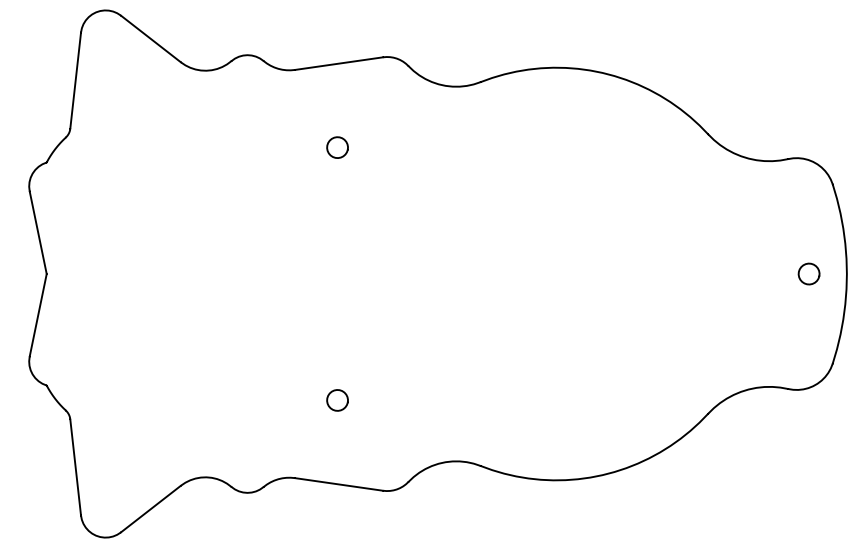
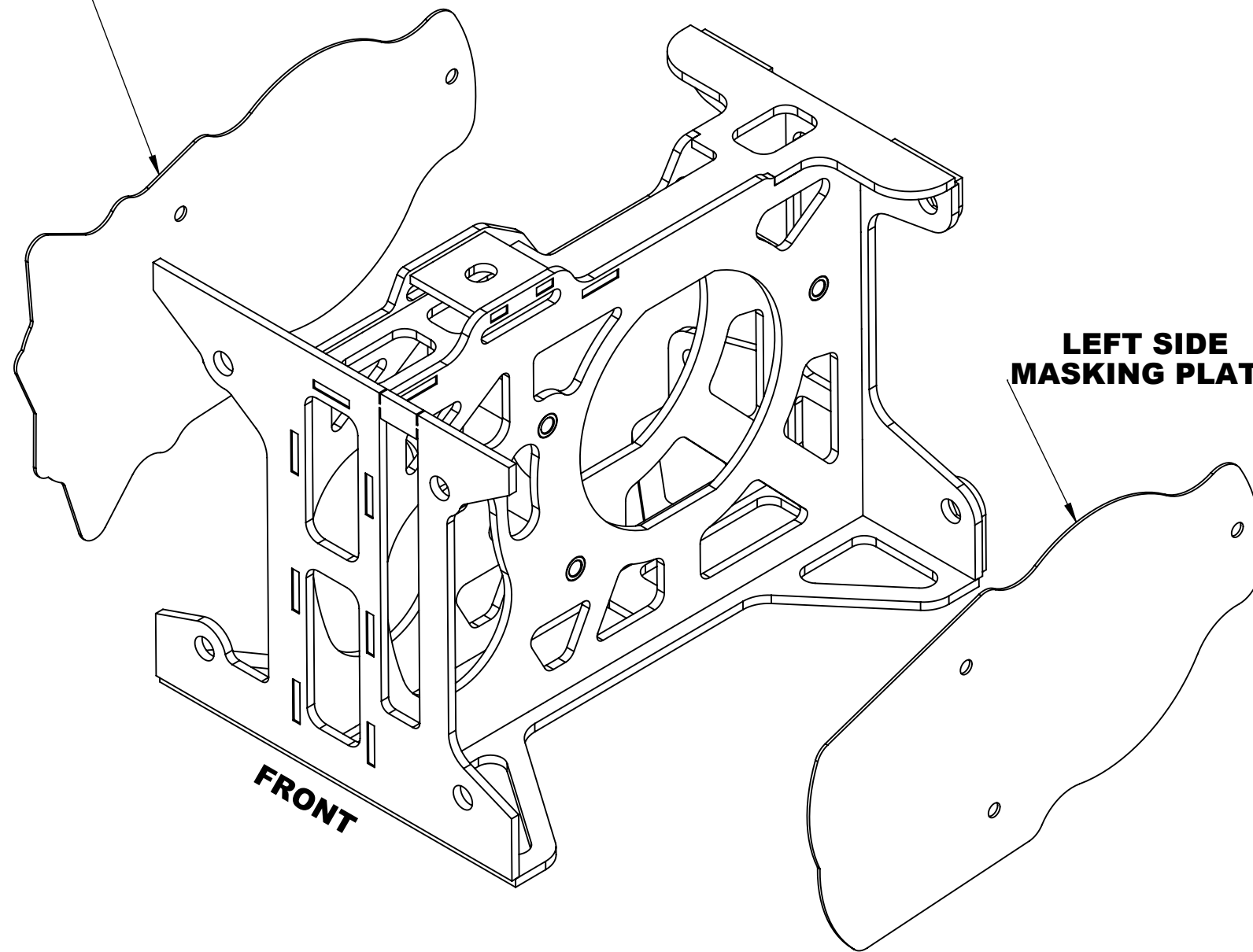
THE MASKING PLATES SHOWN BELOW CAN BE FITTED DURING CHASSIS POWDER COATING TO ENSURE THE HOUSING WIDTH IS NOT AFFECTED. BOLT THE MASKING PLATES TO THE HOUSING.

THE PLATES ARE AVAILABLE AS LASER CUTTING FILES FROM THE EDGE PRODUCTS. CUT PLATES FROM 2mm MILD STEEL.

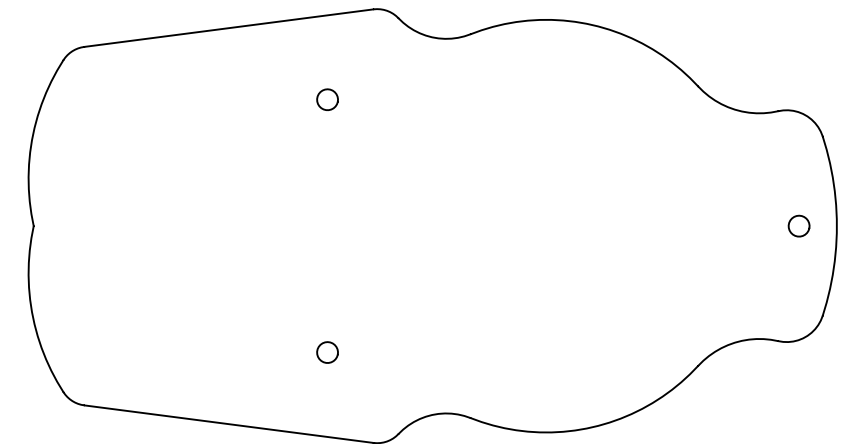
ENSURE THE CORRECT PLATE IS USED ON THE CORRECT SIDE (L/H and R/H)

RIGHT SIDE MASKING PLATE

LEFT SIDE MASKING PLATE



RIGHT SIDE MASKING PLATE



LEFT SIDE MASKING PLATE



THE EDGE PRODUCTS
PO BOX 292, KARRINYUP
WESTERN AUSTRALIA, 6018
SEE US IN COLOUR ON THE NET www.theedgeproducts.com
PH - (08) 9249 5886 (INT 618) theedge@git.com.au

THIS DESIGN REMAINS THE PROPERTY OF THE EDGE PRODUCTS & IS NOT TO BE REPRODUCED, STORED IN A RETRIEVAL SYSTEM, OR TRANSMITTED IN ANY FORM OR MEANS ELECTRONIC MECHANICAL PHOTOCOPYING, RECORDING OR OTHERWISE WITHOUT PRIOR WRITTEN PERMISSION FROM
© THE EDGE PRODUCTS 2016

Sanger
design

DRAWING
TITLE

**S1 HOUSING
MASKING PLATES**

PAGE

14a S1