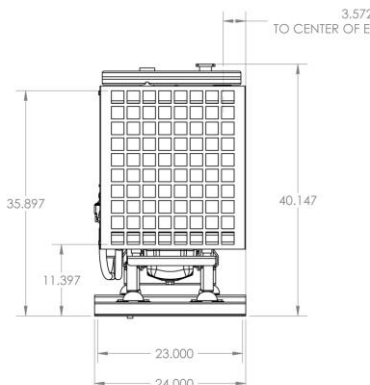
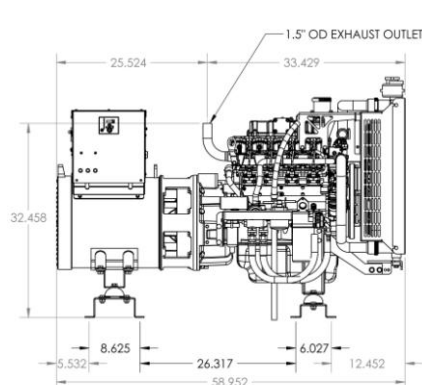


# DE30I4

LIQUID-COOLED DIESEL GENERATOR



Est. 1925



Weight: 975 lbs

Powered by ...  
**ISUZU**  
**4LE1T**  
**2.2 Liter**  
**Turbo Charged**

SPECIFICATIONS SUBJECT TO CHANGE WITHOUT NOTICE \*\*\*VERS DE30I4 1-12

Electrical Output 30kW Standby/27kW Prime				
Output Voltage – 60Hz	kW	kVa	Amperes	CB Size
*120/240, 1-phase, 1.0 pf	28	28	116	125
120/208, 3-phase, 0.8 pf	30	42	104	100
120/240, 3-phase, 0.8 pf	30	42	90	90
277/480, 3-phase, 0.8 pf	30	42	45	45

\*SINGLE PHASE RATING AT 125° HEAT TEMPERATURE RISE

## EXPERIENCED DESIGN

- WINPOWER HAS BEEN BUILDING INDUSTRIAL GENERATORS SINCE 1925
- BUILT STRONGER TO LAST LONGER
- RUBBER ENGINE AND GENERATOR VIBRATION ISOLATION MOUNTS
- EXPERIENCED ENGINEERING GROUP
- EVERY UNIT IS 100% LOAD TESTED TO ENSURE QUALITY, WE DO NOT USE STATISTICAL SAMPLING
- ALL INVENTORY IS STORED INDOORS UNTIL IT SHIPS
- MADE IN THE USA

## GENSET CONTROL

- KEY START WITH ENGINE PREHEAT
- STANDARD SAFETY FEATURES/SHUTDOWNS:
  - LOW OIL
  - OVER TEMPERATURE
  - OVER SPEED

## GENERAL INFORMATION

### Derating Factors

TEMPERATURE > 104°F ..... 3% PER 10°F  
 ALTITUDE ..... 3% PER 1000 FT  
 PRIME POWER ..... 10%

### Fuel Consumption

100% LOAD ..... 1.99 GAL/HR  
 50% LOAD ..... 1.00 GAL/HR

### Limited Warranty

Winpower warrants its product from material defects for a period of one year/1000 hrs. Isuzu warrants the engine for prime power generator applications for 1 year/unlimited hours.

## ENGINE SPECIFICATIONS

MAKE.....ISUZU  
 MODEL ..... 4LE1T  
 EPA..... TIER IVi  
 TYPE ..... DIESEL  
 GROSS HORSEPOWER-STANDBY..... 46.9 HP  
 SPEED GOVERNOR ..... MECHANICAL  
 CYLINDERS ..... 4  
 TOTAL DISPLACEMENT ..... 2.2L  
 ASPIRATION..... TURBOCHARGED  
 OIL & FILTER REPLACEMENT ..... 250 HRS  
 LUBE OIL CAPACITY..... 8.5 QTS  
 FUEL SPEC..... D975 No 2 D  
 EXHAUST OUTLET (MUFFLER SHIPS LOOSE) ..... 2"  
 ELECTRICAL SYSTEM (NEGATIVE GROUND) ..... 12 VDC  
 ALTERNATOR ..... 35 AMPS

## ALTERNATOR SPECIFICATIONS

RATING ..... (105/40°C) STANDBY  
 TYPE ..... 4 POLE – REVOLVING FIELD  
 SPEED ..... 1800 RPM  
 INSULATION SYSTEM..... CLASS H  
 SINGLE PHASE..... 12 LEAD  
 THREE PHASE ..... 12 LEAD  
 PITCH..... 2/3  
 THD ..... <5%  
 COUPLING ..... FLEXIBLE DISC  
 BEARINGS (MAINTENANCE FREE) ..... 1  
 AUTOMATIC VOLTAGE REGULATION ..... +/- 1.5%  
 SINGLE PHASE RATING..... 1.0pf  
 THREE PHASE RATING ..... 0.8pf