

Simulation Advanced Display Module

3A2716A
EN

For Reactor E-30i and E-XP2i demonstration use only.

Kit No. 24M724



Important Safety Instructions

Read all warnings and instructions in this manual and in the Reactor E-30i and E-XP2i Operation manual. Save all instructions.

Related Manuals

Manual	Description
3A1705	Reactor E-30i and E-XP2i, Operation
3A1706	Reactor E-30i and E-XP2i, Repair-Parts
3A1244	Graco Control Architecture™ Module Programming, Instructions



ti19197a

Setup

The ADM (1) is installed with the Integrated Reactor software. The simulation software on the blue simulator token (4) overrides the Integrated Reactor software and will simulate all of the functions of an ADM installed on a Reactor E-30i or Reactor E-XP2i.

1. Remove cover and ensure blue simulator token (4) is inserted in the Advanced Display Module - ADM (1). Replace cover.
2. Connect transformer (2) cable to the ADM left port. Connect to a power outlet.
3. Turn on the ADM (1).
4. The ADM can now simulate all functions of an ADM installed on a Reactor E-30i or Reactor E-XP2i. See Reactor manual for information about screens, icons, and functions.

Use in Integrated Reactor

To use the simulation module in any Reactor E-30i or E-XP2i, complete the following:

1. Disconnect the transformer from the power outlet.
2. Check that the ADM has the latest software.
 - a. Turn on the ADM and go in Setup Mode.
 - b. View the Advanced Screen - 4 and note the software version.
 - c. Identify the latest software version for the Integrated Reactor. The latest software version for the system can be found at www.graco.com. If you have the latest software continue to step 3.
 - d. Purchase a new black token (3) if the software on the ADM is not the latest software. See manual 3A1244 for software downloading process.
3. Remove cover and remove the blue simulator token (4).
4. Replace cover.

Use ADM in Other Products

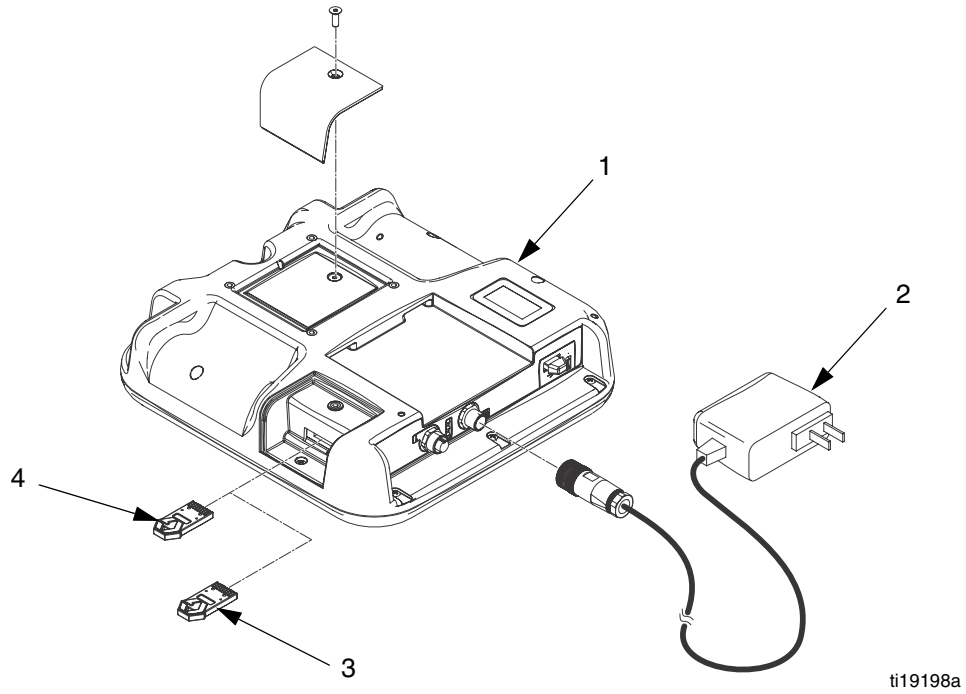
The module must be programmed with scrub software to use the ADM in other products or simulators. Purchase scrub token 16N147.

1. Remove cover and blue simulator token (4).
2. Insert the scrub token. See manual 3A1244 for software downloading process.
3. Replace cover.

Return to Simulation Mode

If the ADM needs to be converted back to a simulation module, reinsert the blue simulator token (4).

Parts



ti19198a

24N395, Simulation Advanced Display Module

Ref.	Part	Description	Qty.
1	24L948	ADM	1
2	16N946	TRANSFORMER, 120 VAC to 12 VDC	1
3	16M459	TOKEN, GCA, Reactor E-30i and E-XP2i; black	1
4*	24N372	TOKEN, GCA, simulator; blue	1

* Installed in ADM (1).

Graco Standard Warranty

Graco warrants all equipment referenced in this document which is manufactured by Graco and bearing its name to be free from defects in material and workmanship on the date of sale to the original purchaser for use. With the exception of any special, extended, or limited warranty published by Graco, Graco will, for a period of twelve months from the date of sale, repair or replace any part of the equipment determined by Graco to be defective. This warranty applies only when the equipment is installed, operated and maintained in accordance with Graco's written recommendations.

This warranty does not cover, and Graco shall not be liable for general wear and tear, or any malfunction, damage or wear caused by faulty installation, misapplication, abrasion, corrosion, inadequate or improper maintenance, negligence, accident, tampering, or substitution of non-Graco component parts. Nor shall Graco be liable for malfunction, damage or wear caused by the incompatibility of Graco equipment with structures, accessories, equipment or materials not supplied by Graco, or the improper design, manufacture, installation, operation or maintenance of structures, accessories, equipment or materials not supplied by Graco.

This warranty is conditioned upon the prepaid return of the equipment claimed to be defective to an authorized Graco distributor for verification of the claimed defect. If the claimed defect is verified, Graco will repair or replace free of charge any defective parts. The equipment will be returned to the original purchaser transportation prepaid. If inspection of the equipment does not disclose any defect in material or workmanship, repairs will be made at a reasonable charge, which charges may include the costs of parts, labor, and transportation.

THIS WARRANTY IS EXCLUSIVE, AND IS IN LIEU OF ANY OTHER WARRANTIES, EXPRESS OR IMPLIED, INCLUDING BUT NOT LIMITED TO WARRANTY OF MERCHANTABILITY OR WARRANTY OF FITNESS FOR A PARTICULAR PURPOSE.

Graco's sole obligation and buyer's sole remedy for any breach of warranty shall be as set forth above. The buyer agrees that no other remedy (including, but not limited to, incidental or consequential damages for lost profits, lost sales, injury to person or property, or any other incidental or consequential loss) shall be available. Any action for breach of warranty must be brought within two (2) years of the date of sale.

GRACO MAKES NO WARRANTY, AND DISCLAIMS ALL IMPLIED WARRANTIES OF MERCHANTABILITY AND FITNESS FOR A PARTICULAR PURPOSE, IN CONNECTION WITH ACCESSORIES, EQUIPMENT, MATERIALS OR COMPONENTS SOLD BUT NOT MANUFACTURED BY GRACO. These items sold, but not manufactured by Graco (such as electric motors, switches, hose, etc.), are subject to the warranty, if any, of their manufacturer. Graco will provide purchaser with reasonable assistance in making any claim for breach of these warranties.

In no event will Graco be liable for indirect, incidental, special or consequential damages resulting from Graco supplying equipment hereunder, or the furnishing, performance, or use of any products or other goods sold hereto, whether due to a breach of contract, breach of warranty, the negligence of Graco, or otherwise.

FOR GRACO CANADA CUSTOMERS

The Parties acknowledge that they have required that the present document, as well as all documents, notices and legal proceedings entered into, given or instituted pursuant hereto or relating directly or indirectly hereto, be drawn up in English. Les parties reconnaissent avoir convenu que la rédaction du présente document sera en Anglais, ainsi que tous documents, avis et procédures judiciaires exécutés, donnés ou intentés, à la suite de ou en rapport, directement ou indirectement, avec les procédures concernées.

Graco Information

For the latest information about Graco products, visit www.graco.com.

TO PLACE AN ORDER, contact your Graco distributor or call to identify the nearest distributor.

Phone: 612-623-6921 **or Toll Free:** 1-800-328-0211 **Fax:** 612-378-3505

All written and visual data contained in this document reflects the latest product information available at the time of publication. Graco reserves the right to make changes at any time without notice.

For patent information, see www.graco.com/patents.

Original instructions. This manual contains English. MM 3A2716

Graco Headquarters: Minneapolis
International Offices: Belgium, China, Japan, Korea

GRACO INC. AND SUBSIDIARIES • P.O. BOX 1441 • MINNEAPOLIS MN 55440-1441 • USA

Copyright 2012, Graco Inc. All Graco manufacturing locations are registered to ISO 9001.

www.graco.com