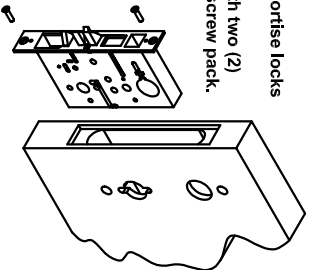


ESCUTCHEON

1. MORTISE LOCK DOOR PREPARATION

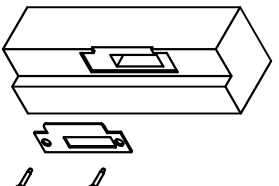
- A. Prepare the door for the mortise lock.
 - Refer to door template W53013 for mortise locks with escutcheon trim.
- B. Install the mortise case and secure with two (2) #12-24 combo screws supplied in the screw pack.



2. MORTISE LOCK DOOR JAMB PREPARATION

NOTE: The strike is handed. The latch bolt and dead bolt hole is offset to the top of the strike.

- A. Prepare the door jamb for the mortise lock strike.
 - Refer to door template W53013 for mortise locks with escutcheon trim.
- B. Install the strike and secure with two (2) #12-24 combo screws supplied in the strike screw pack.

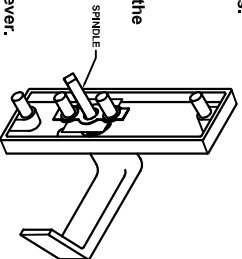


INSTALLATION INSTRUCTIONS FOR MORTISE LOCKS WITH ESCUTCHEON TRIM

3. ESCUTCHEON TRIM HANDING

NOTE: The trim is handed as labeled from the factory. If a handing change is required follow these instructions.

- A. Pull out on the spindle until it stops and hold.
 - Note: The spindle is captured and will not be completely removed from the trim assembly.
- B. While holding the spindle and escutcheon rotate the lever to the new operating position.
- C. Raise the lever to 60° above horizontal and hold.
- D. Release the spindle and apply light pressure on the end of the spindle.
- E. Lower the lever to the horizontal operating position.
 - As the lever is lowered the spindle will re-engage with the lever.
 - Verify this by rotating the lever down from horizontal.
 - The springs in the assembly will compress as the lever is rotated.



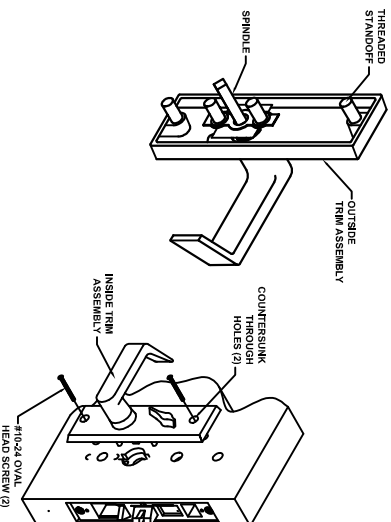
4. ESCUTCHEON TRIM INSTALLATION

OUTSIDE TRIM

- A. Apply the escutcheon to the door while aligning the spindle with the lock hub.
- B. Confirm the spindle engagement in the lock by rotating the lever down and verifying that the latchbolt retracts.

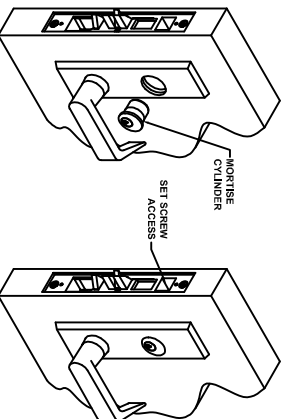
INSIDE TRIM

- A. Apply the escutcheon to the door while aligning spindle with the lock hub.
- B. Confirm the spindle engagement with the lock by rotating the lever down and verifying that the latchbolt retracts.
- C. Secure the trim assemblies with two (2) #10-24 oval head screws from the inside of the door.



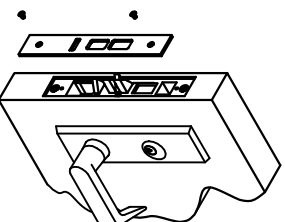
5. MORTISE CYLINDER INSTALLATION

- A. Thread the mortise cylinder into the lock body.
 - The face of the cylinder should sit flush with or slightly recessed into the escutcheon.
- B. Secure the mortise cylinder by tightening the Phillips head set screw through the front of the lock. Tighten the set screw nearest the cylinder.



6. ARMOR PLATE INSTALLATION

- A. Secure the armor plate with two (2) #8-32 flat head screws.



ESCUTCHEON