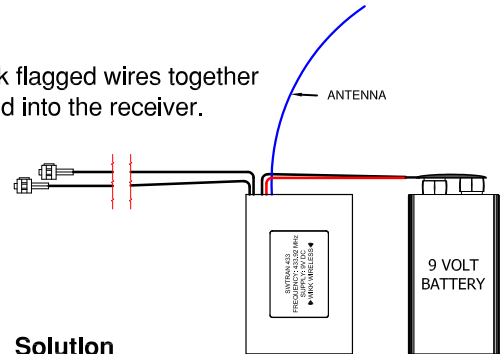


Programming instructions for the SWTRAN433

Wikk's Wireless SWTRAN433 is only compatible with Wikk's Receiver 1 Channel 433.

Programming -

- 1) Attach battery to the SWTRAN433 transmitter.
- 2) Push P1 on the Receiver 1 Channel 433 until you hear a beep then touch the black flagged wires together and hold until the receiver beeps again. The SWTRAN433 will then be programmed into the receiver.



Troubleshooting-

Problem

- A) The receiver does not receive the transmitter signal and the transmitter LED will not light up.
- B) The operating is very weak or sporadic.

Solution

Change the battery

Change the battery or check the wiring on the transmitter or receiver to make sure wires are secure and not pinched.

- 3) Attach quick connects to switch. Twist wires from the switch and transmitter together and insert into the gel connector and crimp.

Technical Specifications-

Operating Frequency- 433 MHz
Battery- 9 Volt DC
Operating temperature- -20° F - 100° F

Warranty

The warranty period of Wikk's Wireless SWTRAN433 transmitters is 24 months, beginning from the manufacturing date of the transmitter. During this period, if the product does not operate correctly, due to a defective component, the product will be repaired or replaced at the sole discretion of Wikk Wireless. The warranty does not extend to replacement of the battery.

Note: Any changes or modifications to Wikk's Wireless products could void the manufacturer's warranty.

Wikk Wireless SWTRAN433
Type- 433TSPWIK
FCC ID:SU433TSP4K

This device complies with Part 15 of the FCC Rules.

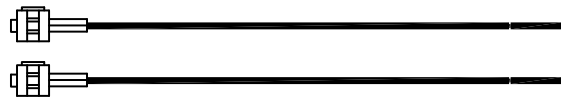
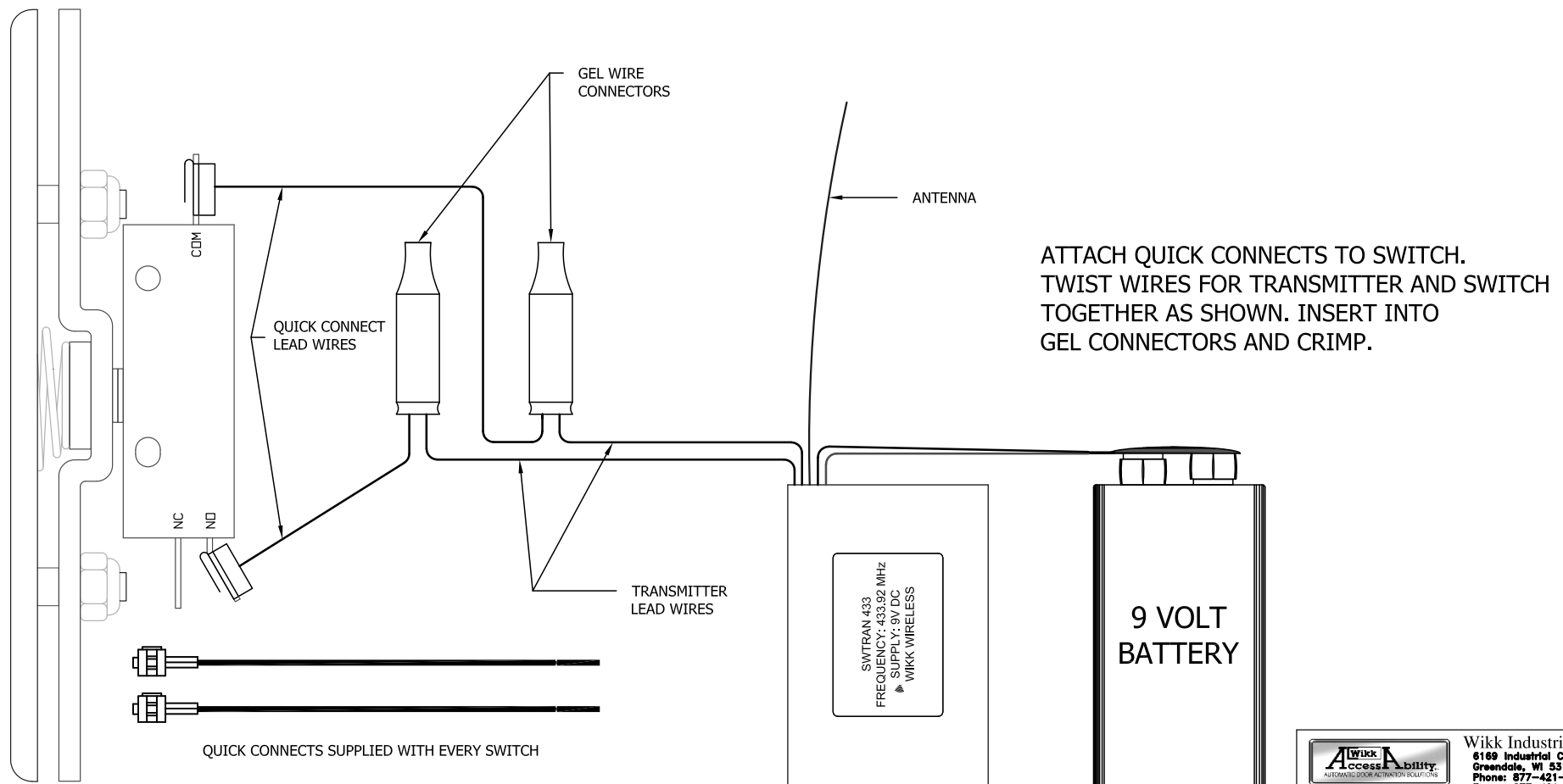
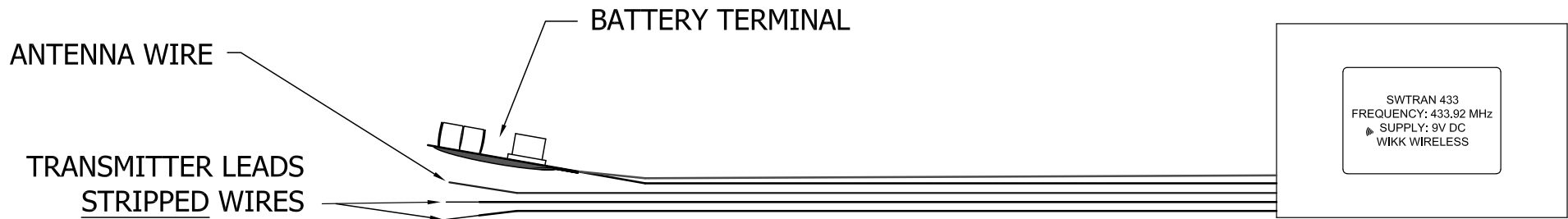
Operation is subject to the following two conditions:

- 1) *This device may not cause harmful interference, and*
- 2) *This device must accept interference received, including interference that may cause undesired operation.*



6169 Industrial Ct.
P.O. Box 167
Greendale, WI 53129
Phone Toll Free-877-421-9490
Fax- 877-421-3158





QUICK CONNECTS SUPPLIED WITH EVERY SWITCH

| | | | | | |
|---|---------------|-----------------|--|--|--|
|  | | | Wikk Industries, Inc. 6189 Industrial Court Greendale, WI 53128-0167 Phone: 877-421-9490 Fax: 877-421-3158 | | |
| SCALE | DRAWN BY/DATE | CHECKED BY/DATE | | | |
| FULL | JK/18OCT11 | ----- | | | |
| TITLE | | | | | |
| 433 TRANSMITTER INFO | | | | | |
| DRAWING NUMBER | | | | | |
| SWITCHES\TRANSMITTER AND RECEIVER LABELS AND INFO\ 433 TRANSMITTER INFO | | | | | |