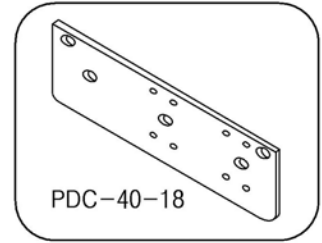
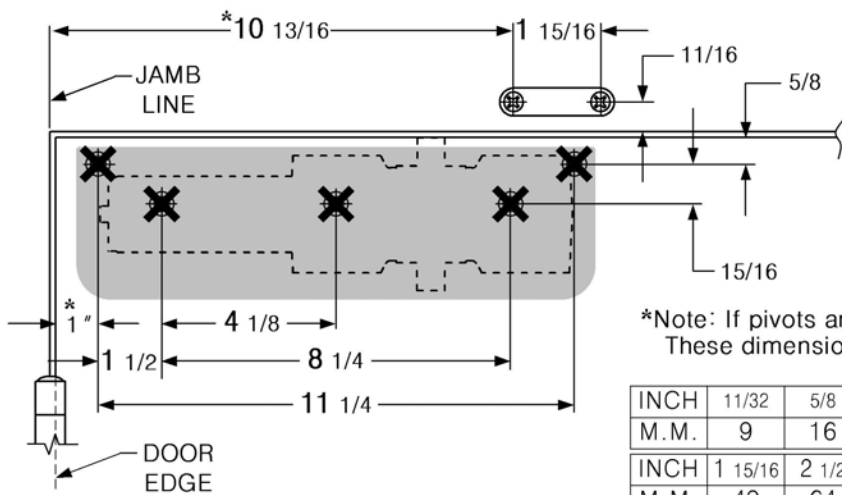


PULL SIDE (DOOR JAMB) DROP PLATE PERMITS 120° MAXIMUM OPENING

PULL SIDE MOUNT ON: 5051-18 DROP PLATE



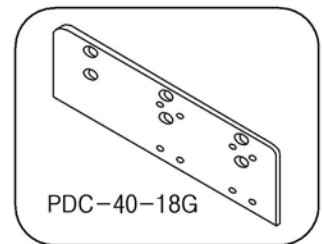
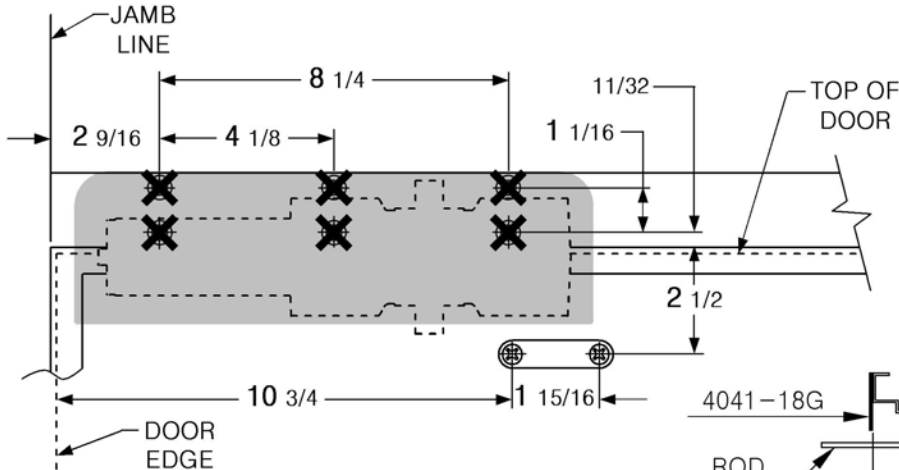
*Note: If pivots are used, Increase These dimensions by 1/8"

INCH	11/32	5/8	11/16	15/16	1	1 1/16	1 1/2	1 3/4
M.M.	9	16	17	24	25	27	38	44
INCH	1 15/16	2 1/2	2 9/16	4 1/8	8 1/4	10 3/4	10 13/16	11 1/4
M.M.	49	64	65	105	210	273	275	286

RIGHT HAND DOOR SHOWN, LEFT HAND OPPOSITE.

PUSH SIDE (TOP JAMB) DROP PLATE PERMITS 120° MAXIMUM OPENING

PUSH SIDE MOUNT ON: 5051-18G DROP PLATE

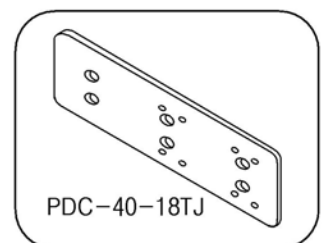
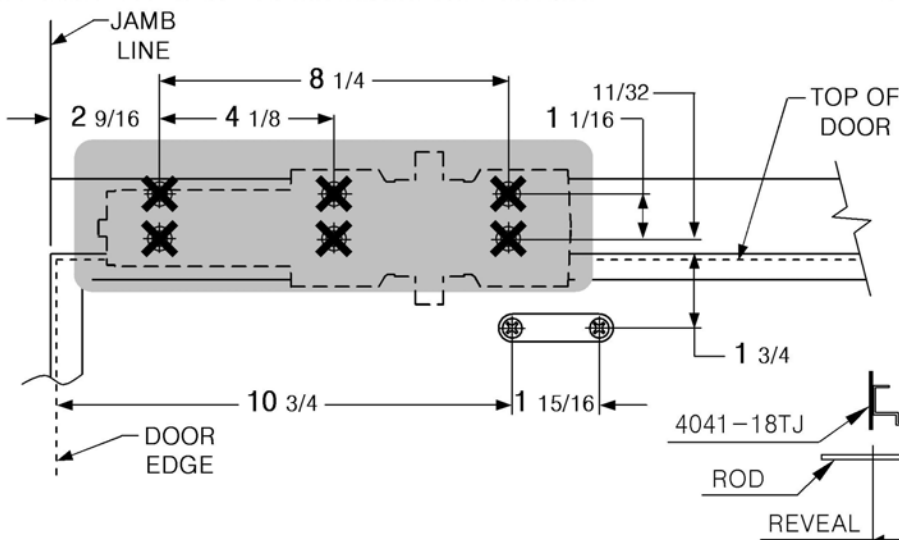


MAXIMUM REVEAL OF 2 9/16, FOR REVEALS 2 5/8 - 4 13/16 SPECIFY LONG ROD FOR REVEALS 8" SPECIFY EXTRA LONG ROD

LEFT HAND DOOR SHOWN, RIGHT HAND OPPOSITE.

PUSH SIDE (TOP JAMB) DROP PLATE PERMITS 120° MAXIMUM OPENING

PUSH SIDE MOUNT ON: 5051-18TJ DROP PLATE

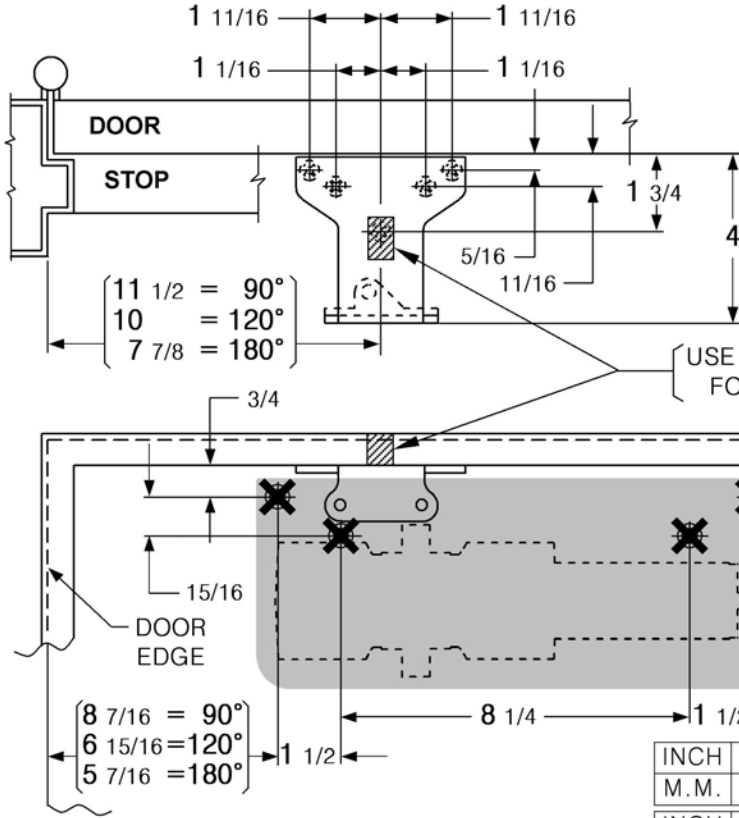


MAXIMUM REVEAL OF 2 9/16, FOR REVEALS 2 5/8 - 4 13/16 SPECIFY LONG ROD FOR REVEALS 8" SPECIFY EXTRA LONG ROD

LEFT HAND DOOR SHOWN, RIGHT HAND OPPOSITE.

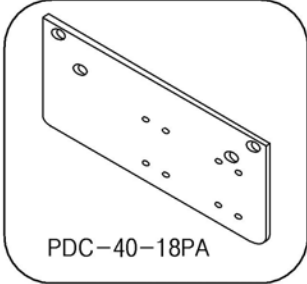
PUSH SIDE (DOOR MOUNT) DROP PLATE PERMITS 180° MAXIMUM OPENING

PUSH SIDE MOUNT ON: 5051-18PA DROP PLATE



IMPORTANT
BEFORE INSTALLING CLOSER, TURN BACKCHECK SELECTOR VALVE (FOUND ON OPPOSITE SIDE OF CLOSER FORM REGULATING SCREW SIDE) ALL THE WAY IN (CLOCKWISE)

IMPORTANT
USE SPACER BLOCK (OPTION) PROVIDED FOR FIFTH SCREW. 1/2 OR 5/8



INCH	5/16	11/16	3/4	15/16	1 1/16	1 1/2	1 11/16	1 3/4
M.M.	8	17	19	24	27	35	43	44
INCH	4	5 7/16	6 15/16	7 7/8	8 1/4	8 7/16	10	11 1/2
M.M.	102	138	176	200	210	214	254	292

LEFT HAND DOOR SHOWN, RIGHT HAND OPPOSITE.

↻ **C.W. = CLOCKWISE**
↺ **C.C.W = COUNTER CLOCKWISE**

PLEASE NOTE
TURNS REQUIRED ARE APPROXIMATE BECAUSE OF VARIOUS DOOR CONDITIONS AND LOCATIONS. YOU MAY HAVE TO FURTHER ADJUST SPRING TENSION TO SUIT YOUR REQUIREMENTS.

MAXIMUM DOOR WIDTH		TURNS REQUIRED
EXTERIOR DOORS	INTERIOR DOORS	
—	5 lb-f	6 TURNS C.C.W.
8.5 lb-f	34" (864)	3 TURNS C.C.W.
30" (762)	38" (962)	PRESET
36" (914)	48" (1219)	3 TURNS C.W.
42" (1067)	54" (1372)	7 TURNS C.W.
48" (1219)	60" (1524)	12 TURNS C.W.

