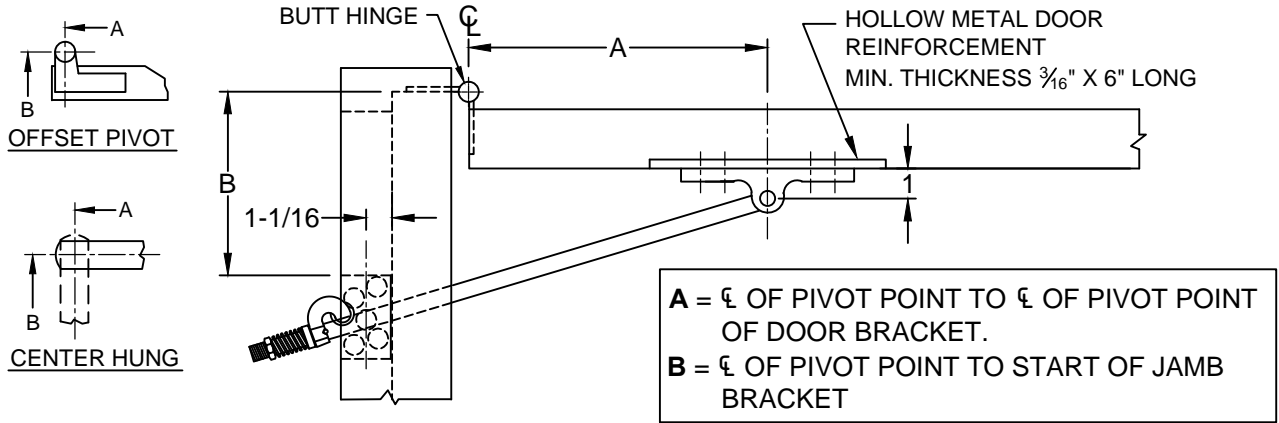
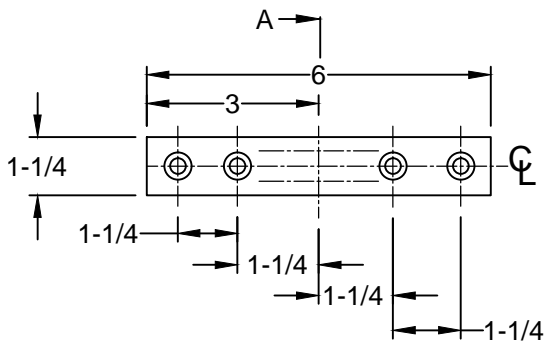
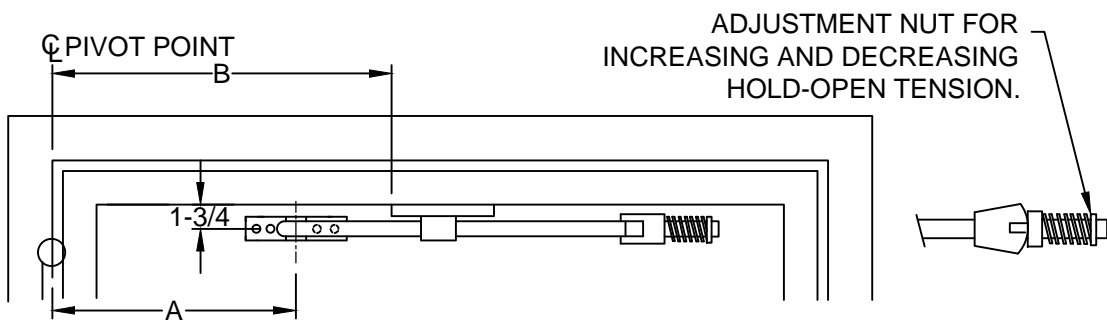


# HD7000 SERIES HOLDERS & STOPS

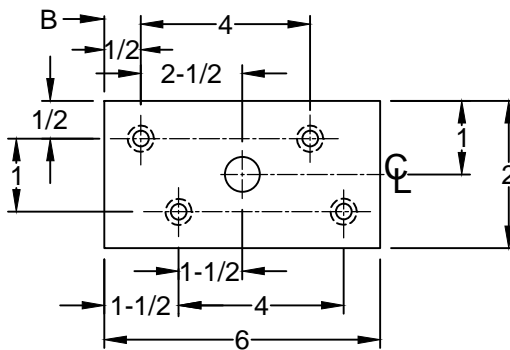
## EXTRA HEAVY DUTY, SURFACE MOUNT



**A** =  $\phi$  OF PIVOT POINT TO  $\phi$  OF PIVOT POINT OF DOOR BRACKET.  
**B** =  $\phi$  OF PIVOT POINT TO START OF JAMB BRACKET



**DOOR BRACKET**



**JAMB BRACKET**

**NOTES:**

1. REVERSIBLE/ NON - HANDED
2. FOR SINGLE ACTING DOORS ONLY
3. ALL DRILLING & TAPPING TO BE DONE IN FIELD.
4. ALWAYS REQUEST LATEST TEMPLATE/ DRAWING FOR NEW INSTALLATIONS.
5. ALL DIMENSIONS ARE IN INCHES, UNLESS NOTED OTHERWISE.
6. DRAWING IS NOT TO SCALE

**SCREW DETAIL**

		WOOD	METAL
JAMB	4		• 5/16-18 x 1-1/2" FLAT HEAD MACHINE SCREW
DOOR	4	• 5/16-18 x 1-1/2" FLAT HEAD MACHINE SCREW • 1/2" DIA. SEX BOLT	• 5/16-18 x 1-1/2" FLAT HEAD MACHINE SCREW • 1/2" DIA. SEX BOLT

HD7000-1-05.DWG



www.abhmfg.com  
 E-mail: abhinfo@abhmfg.com  
 Architectural Builders Hardware Mfg., Inc.  
 1222 Ardmore Ave., Itasca, IL 60143  
 630.875.9900; FAX 800.9FAXABH (932.9224)

©2017 ABH Mfg., Inc.  
 printed in USA

**HD7000**

PAGE 1 OF 2  
 REVISED 03-22-17

# HD7000 SERIES HOLDERS & STOPS

## SURFACE MOUNT

- HD7010 HOLD-OPEN      • HD7020 STOP

1. FOR DEAD STOP MOUNT 5 DEG. LESS THAN MAX. DOOR OPENING
2. ALL DIMENSIONS ARE IN INCHES.
3. "A" & "B" DIMENSIONS ARE MEASURED FROM HINGE EDGE OF DOOR/FRAME.

DOOR THICKNESS	DEGREE		85° H.O.		90° H.O.		95° H.O.		100° H.O.		105° H.O.		110° H.O.	
	MODEL NO.	DOOR OPENING	A	B	A	B	A	B	A	B	A	B	A	B
1-3/4" TO 2"	•HD7010	24" TO	4-3/4	6-3/4	4-3/16	6-3/16	3-3/4	5-3/4	3-7/16	5-7/16	-	-	-	-
	•HD7020	29-15/16"												
BUTT HINGE & OFFSET PIVOT	•HD7011	30" TO	6-3/4	8-3/4	6-3/16	8-3/16	5-11/16	7-11/16	5-5/16	7-5/16	4-13/16	6-13/16	4-9/16	6-9/16
	•HD7021	35-15/16"												
BUTT HINGE & OFFSET PIVOT	•HD7012	36" TO	8-13/16	10-13/16	8-3/16	10-3/16	7-9/16	9-9/16	7-1/8	9-1/8	6-5/8	8-5/8	6-5/16	8-5/16
	•HD7022	39-15/16"												
BUTT HINGE & OFFSET PIVOT	•HD7013	40" TO	11-15/16	13-15/16	10-11/16	12-11/16	10-1/16	12-1/16	9-1/2	11-1/2	9-1/16	11-1/16	8-11/16	10-11/16
	•HD7023	47-15/16"												
BUTT HINGE & OFFSET PIVOT	•HD7014	48" TO	13-15/16	15-15/16	13-3/16	15-3/16	12-1/2	14-1/2	11-7/8	13-15/16	11-3/8	13-3/8	10-7/8	12-7/8
	•HD7024	54"												

DOOR THICKNESS	DEGREE		85° H.O.		90° H.O.		95° H.O.		100° H.O.		105° H.O.		110° H.O.	
	MODEL NO.	DOOR OPENING	A	B	A	B	A	B	A	B	A	B	A	B
1-3/4" TO 2"	•HD7010	26" TO	4-13/16	6-13/16	4-7/16	6-7/16	4-1/8	6-1/8	3-7/8	5-7/8	-	-	-	-
	•HD7020	31-15/16"												
BUTT HINGE & OFFSET PIVOT	•HD7011	32" TO	6-13/16	8-13/16	6-5/16	8-5/16	6	8	5-11/16	7-11/16	5-3/8	7-3/8	5-1/8	7-1/8
	•HD7021	38-15/16"												
BUTT HINGE & OFFSET PIVOT	•HD7012	39" TO	8-13/16	10-13/16	8-1/4	10-1/4	7-13/16	9-13/16	7-7/16	9-7/16	7-1/16	9-1/16	6-3/4	8-3/4
	•HD7022	42-15/16"												
BUTT HINGE & OFFSET PIVOT	•HD7013	43" TO	11-3/8	13-3/8	10-3/4	12-3/4	10-3/16	12-3/16	9-11/16	11-11/16	9-1/4	11-1/4	8-15/16	9-15/16
	•HD7023	50-15/16"												
BUTT HINGE & OFFSET PIVOT	•HD7014	51" TO	14	16	13-1/4	15-1/4	12-9/16	14-9/16	12	14	11-1/2	13-1/2	11-1/16	13-1/16
	•HD7024	60"												

HD7000-2-06.DWG



[www.abhmfg.com](http://www.abhmfg.com)  
 E-mail: [abhinfo@abhmfg.com](mailto:abhinfo@abhmfg.com)  
 Architectural Builders Hardware Mfg., Inc.  
 1222 Ardmore Ave., Itasca, IL 60143  
 630.875.9900; FAX 800.9FAXABH (932.9224)

©2017 ABH Mfg., Inc.  
printed in USA

# HD7000

PAGE 2 OF 2  
REVISED 03-22-17