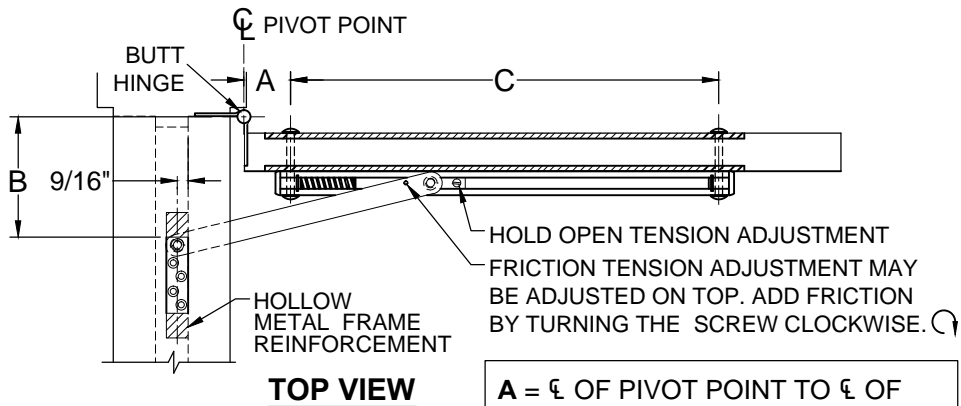
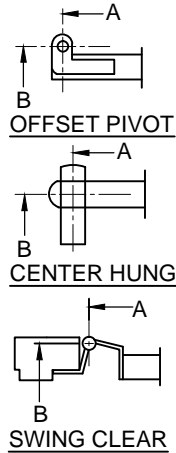
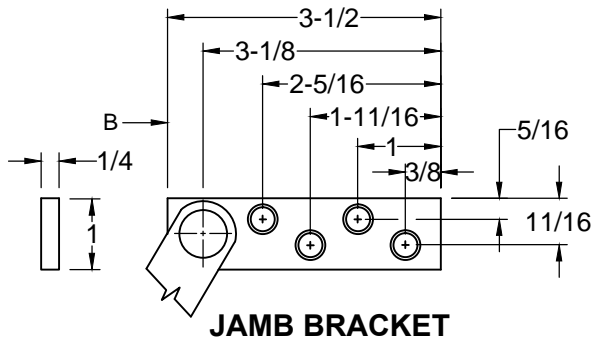


9000 SERIES HOLDERS & STOPS

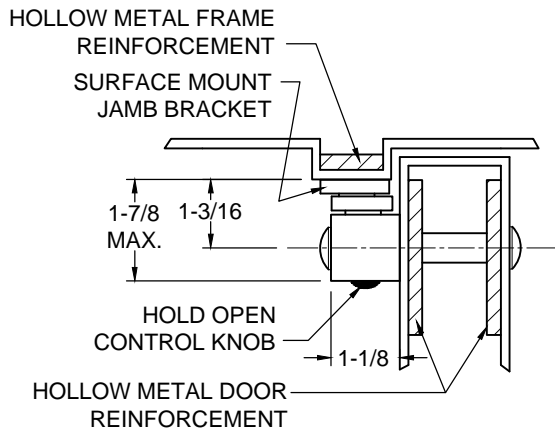
SURFACE MOUNT



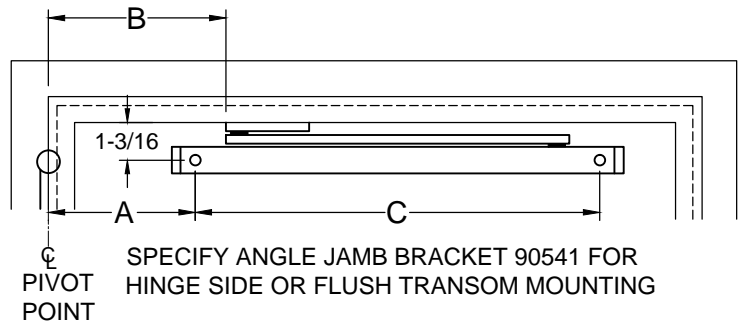
A = ϵ OF PIVOT POINT TO ϵ OF FIRST SEX BOLT.
B = ϵ OF PIVOT POINT TO START OF JAMB BRACKET
C = ϵ OF FIRST SEX BOLT TO ϵ OF SECOND SEX BOLT.



ALIGN FRICTION TENSION ADJUSTMENT SCREW TO THIS HOLE. ADD FRICTION BY TURNING THE SCREW COUNTERCLOCKWISE. ↻



SINGLE ACTING DOOR



NOTES:

1. REVERSIBLE/ NON - HANDED
2. FOR SINGLE ACTING DOORS ONLY
3. ALL DRILLING & TAPPING TO BE DONE IN FIELD.
4. ALWAYS REQUEST LATEST TEMPLATE/ DRAWING FOR NEW INSTALLATIONS.
5. ALL DIMENSIONS ARE IN INCHES, UNLESS NOTED OTHERWISE.
6. DRAWING IS NOT TO SCALE

SCREW DETAIL			
	QTY	WOOD	METAL
JAMB	4	● #14 x 1-1/2" FLAT HEAD WOOD SCREW	● 1/4-20 x 3/4" FLAT HEAD MACHINE SCREW
DOOR	2	● 5/16-18 x 2" TRUSS HEAD MACHINE SCREW ● 1/2" DIA. SEX BOLT	● 5/16-18 x 2" TRUSS HEAD MACHINE SCREW ● 1/2" DIA. SEX BOLT



www.abhmfg.com
 E-mail: abhinfo@abhmfg.com
 Architectural Builders Hardware Mfg., Inc.
 1222 Ardmore Ave., Itasca, IL 60143
 630.875.9900; FAX 800.9FAXABH (932.9224)

©2016 ABH Mfg., Inc.
 printed in USA

9000-1-08.DWG

9000

PAGE 1 OF 2
 REVISED 05-12-16

9000 SERIES SURFACE HOLDERS & STOPS

SURFACE MOUNT

- 9010 HOLD-OPEN • 9020 STOP • 9030 FRICTION

1. FOR DEAD STOP ADD 5/8" TO "A" DIMENSION
 2. ALL DIMENSIONS ARE IN INCHES.

* BUTT HINGES ONLY
 ** BUTT HINGES & OFFSET PIVOTS ONLY

DOOR THICKNESS	DEGREE		85° H.O.		90° H.O.		95° H.O.		100° H.O.		105° H.O.		110° H.O.		C
	MODEL NO.	DOOR OPENING	A	B	A	B	A	B	A	B	A	B	A	B	
1-3/4" TO 2-1/4"	•9018 •9028 •9038	24 TO 27-15/16	** 3-3/8	** 5-1/2	** 3	** 5-7/16	** 2-3/4	** 4-13/16	** 2-1/2	** 4-5/16	* 2-1/4	* 4-5/16	—	—	17-1/2
	•9011 •9021 •9031	28 TO 29-15/16	** 3-1/16	** 7-9/16	** 2-9/16	** 7-1/16	** 2-1/4	** 6-3/4	** 1-15/16	** 6-7/16	** 1-5/8	** 6-1/8	** 1-3/8	** 5-7/8	20-1/2
	•9012 •9022 •9032	30 TO 31-15/16	5-3/16	8	4-11/16	7-1/2	4-5/16	7-1/8	4	6-13/16	3-11/16	6-1/2	3-7/16	6-1/4	20-15/16
BUTT HINGE, SWING CLEAR HINGE OR OFFSET PIVOT	•9013 •9023 •9033	32 TO 35-15/16	5-15/16	8-5/8	5-3/8	8-1/16	5	7-11/16	4-5/8	7-5/16	4-5/16	7	4	6-11/16	21-5/8
	•9014 •9024 •9034	36 TO 39-15/16	8-7/8	9-11/16	8-1/4	9-1/16	7-13/16	8-5/8	7-3/8	8-3/16	7-1/16	7-7/8	6-11/16	7-1/2	22-13/16
	•9015 •9025 •9035	40 TO 41-15/16	11-3/4	10-3/4	11-1/16	10-1/16	10-5/8	10-5/8	10-1/16	9-1/16	9-11/16	8-11/16	9-5/16	8-5/16	24
	•9016 •9026 •9036	42 TO 43-15/16	13-3/16	11-1/4	12-1/2	10-9/16	12	10-1/16	11-1/2	9-9/16	11-1/16	9-1/8	10-5/8	8-11/16	24-9/16
	•9017 •9027 •9037	44 TO 56	14-11/16	11-13/16	13-15/16	11-1/16	13-3/8	10-1/2	12-7/8	10	12-3/8	9-1/2	11-15/16	9-1/16	25-1/8

CENTER HUNG	DEGREE		85° H.O.		90° H.O.		95° H.O.		100° H.O.		105° H.O.		110° H.O.		C
	MODEL NO.	DOOR OPENING	A	B	A	B	A	B	A	B	A	B	A	B	
	• 9018 • 9028 • 9038	26 TO 29-15/16	4	6-5/8	3-3/4	6	3-1/2	5-9/16	3-3/4	4	3-5/8	3-3/4	3-1/2	3-7/16	17-1/2
	• 9011 • 9021 • 9031	30 TO 33-15/16	3-5/8	8-1/8	3-3/16	7-11/16	2-13/16	7-5/16	2-1/2	7	2-1/4	6-3/4	2	6-1/2	20-1/2
	• 9012 • 9022 • 9032	34 TO 35-15/16	5-13/16	8-5/8	5-3/8	7-3/16	4-15/16	7-3/4	4-5/8	7-7/16	4-5/16	7-1/8	4-1/16	6-7/8	20-15/16
	• 9013 • 9023 • 9033	36 TO 38-15/16	6-9/16	9-1/4	6-1/16	9-3/4	5-5/8	8-5/16	5-1/4	7-15/16	4-15/16	7-5/8	4-5/8	7-5/16	21-5/8
	• 9014 • 9024 • 9034	39 TO 40-15/16	9-1/2	10-5/16	8-15/16	10-3/4	8-7/16	9-1/4	8	8-13/16	7-5/8	8-7/16	7-1/4	8-1/16	22-13/16
	• 9015 • 9025 • 9035	41 TO 44-15/16	12-7/16	11-7/16	11-13/16	10-13/16	11-1/4	10-1/4	10-3/4	9-3/4	10-5/16	9-5/16	9-15/16	9-3/16	24
	• 9016 • 9026 • 9036	45 TO 46-15/16	13-7/8	11-15/16	13-3/16	11-1/4	12-9/16	10-5/8	12-1/16	10-1/8	11-5/8	9-11/16	11-1/4	9-5/16	24-9/16
	• 9017 • 9027 • 9037	47 TO 56	15-3/8	12-1/2	14-11/16	11-13/16	14-1/16	10-5/8	13-1/2	10-5/8	13	10-1/8	12-5/8	9-3/4	25-1/8

9000-2-08.DWG



www.abhmfg.com
 E-mail: abhinfo@abhmfg.com
 Architectural Builders Hardware Mfg., Inc.
 1222 Ardmore Ave., Itasca, IL 60143
 630.875.9900; FAX 800.9FAXABH (932.9224)

©2016 ABH Mfg., Inc.
 printed in USA

9000
 PAGE 2 OF 2
 REVISED 05-12-16