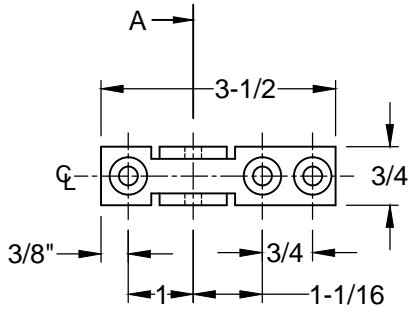
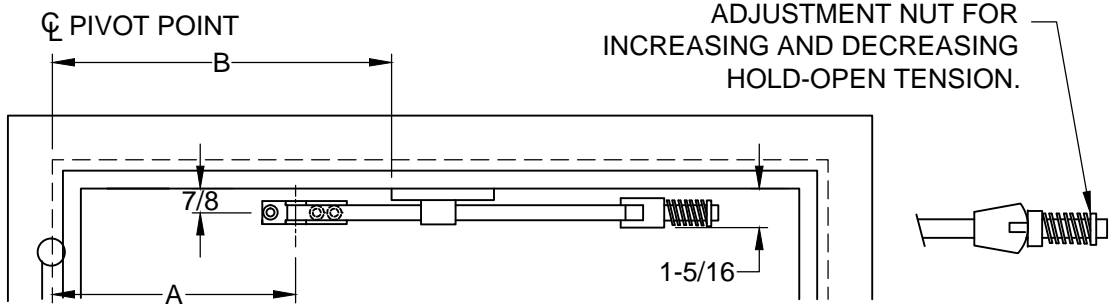
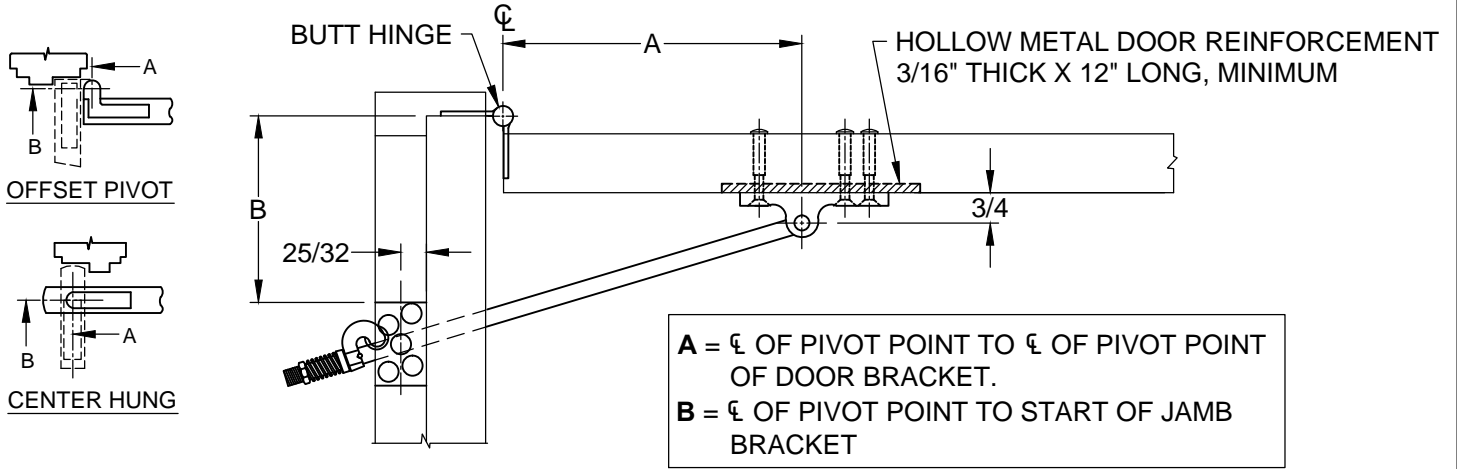
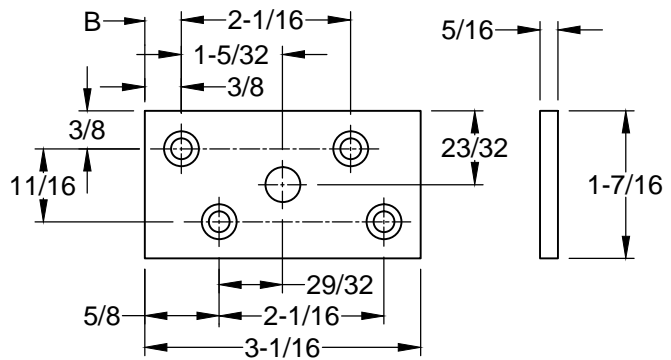


# 7000 SERIES HOLDERS & STOPS

## HEAVY DUTY, SURFACE MOUNT



**DOOR BRACKET**



**JAMB BRACKET**

**NOTES:**

1. REVERSIBLE/ NON - HANDED
2. FOR SINGLE ACTING DOORS ONLY
3. ALL DRILLING & TAPPING TO BE DONE IN FIELD.
4. ALWAYS REQUEST LATEST TEMPLATE/ DRAWING FOR NEW INSTALLATIONS.
5. ALL DIMENSIONS ARE IN INCHES, UNLESS NOTED OTHERWISE.
6. DRAWING IS NOT TO SCALE

SCREW DETAIL			
	QTY	WOOD	METAL
JAMB	4	● #14 x 1-1/2" FLAT HEAD WOOD SCREW	● 1/4-20 x 3/4" FLAT HEAD MACHINE SCREW
DOOR	3	● 1/4-20 x 1" FLAT HEAD MACHINE SCREW ● 1/4-20 x 1-11/16" SEX BOLT	● 1/4-20 x 1" FLAT HEAD MACHINE SCREW ● 1/4-20 x 1-11/16" SEX BOLT



www.abhmfg.com  
 E-mail: abhinfo@abhmfg.com  
 Architectural Builders Hardware Mfg., Inc.  
 1222 Ardmore Ave., Itasca, IL 60143  
 630.875.9900; FAX 800.9FAXABH (932.9224)

©2017 ABH Mfg., Inc.  
printed in USA

7000-1-10.DWG

# 7000

PAGE 1 OF 2  
REVISED 03-16-17

# 7000 SERIES SURFACE HOLDERS & STOPS

## SURFACE MOUNT

- 7010 HOLD-OPEN      ● 7020 STOP

1. FOR DEAD STOP ADD 3/8" TO "A" DIMENSION
2. ALL DIMENSIONS ARE IN INCHES.

DOOR THICKNESS	DEGREE		85° H.O.		90° H.O.		95° H.O.		100° H.O.		105° H.O.		110° H.O.	
	MODEL NO.	DOOR OPENING	A	B	A	B	A	B	A	B	A	B	A	B
1-1/4" TO 2-3/8"	●7010 ●7020	23" TO 28-15/16"	5-3/8	8-1/4	5	7-7/8	4-11/16	7-9/16	4-3/8	7-1/4	4-1/8	7	3-7/8	6-3/4
	●7011 ●7021	29" TO 34-15/16"	7-15/16	11-7/8	8-3/8	10-1/4	7-15/16	9-13/16	7-1/2	9-3/8	7-3/16	9-1/16	6-7/8	8-3/4
BUTT HINGE OR OFFSET PIVOT	●7012 ●7022	35" TO 40-15/16"	10-9/16	14-1/8	10-15/16	12-5/16	10-7/16	11-13/16	9-15/16	11-5/16	9-1/2	10-7/8	9-1/8	10-1/2
	●7013 ●7023	41" TO 46-15/16"	13-1/4	16-7/16	13-9/16	14-1/2	12-15/16	13-7/8	12-3/8	12-5/16	11-7/8	12-13/16	11-7/16	12-3/8
	●7014 ●7024	47" TO 54"	15-1/2	19-13/16	15-7/8	17-11/16	15-3/16	17	14-1/2	16-5/16	13-15/16	15-3/4	13-3/8	15-3/16

DOOR THICKNESS	DEGREE		85° H.O.		90° H.O.		95° H.O.		100° H.O.		105° H.O.		110° H.O.	
	MODEL NO.	DOOR OPENING	A	B	A	B	A	B	A	B	A	B	A	B
1-1/4" TO 2-3/8"	●7010 ●7020	24" TO 31-15/16"	5-3/8	8-1/4	5-1/16	7-15/16	4-3/4	7-5/8	4-1/2	7-3/8	4-5/16	7-3/16	4-1/16	6-15/16
	●7011 ●7021	32-1/2" TO 38-7/16"	9	10-7/8	8-1/2	10-3/8	8-1/8	10	7-3/4	9-5/8	7-7/16	9-5/16	7-1/8	9
CENTER HUNG	●7012 ●7022	38-1/2" TO 44-3/16"	11-11/16	13-1/16	11-1/8	12-1/2	10-5/8	12	10-1/8	11-1/2	9-3/4	11-1/8	9-7/16	10-13/16
	●7013 ●7023	44-1/4" TO 50-3/16"	14-3/8	15-5/16	13-11/16	14-5/8	13-1/16	14	12-9/16	13-1/2	12-1/16	13	11-5/8	12-9/16
	●7014 ●7024	50-1/4" TO 60"	16-3/4	18-9/16	15-15/16	17-3/4	15-3/16	17	14-9/16	16-3/8	14-1/16	15-7/8	13-9/16	15-3/8

7000-2-10.DWG



www.abhmfg.com  
 E-mail: abhinfo@abhmfg.com  
 Architectural Builders Hardware Mfg., Inc.  
 1222 Ardmore Ave., Itasca, IL 60143  
 630.875.9900; FAX 800.9FAXABH (932.9224)

©2016 ABH Mfg., Inc.  
printed in USA

# 7000

PAGE 2 OF 2  
REVISED 03-16-17