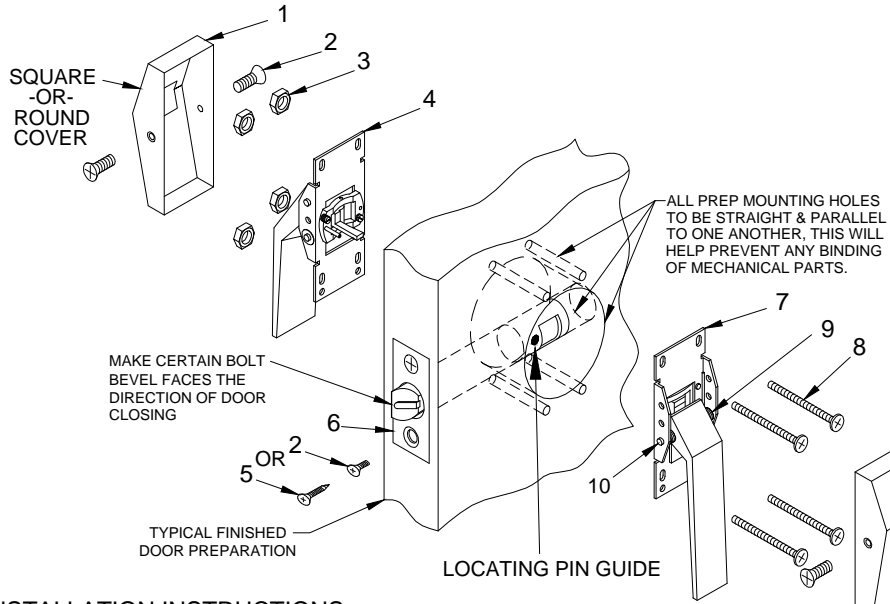


6800 SERIES LOW PROFILE INSTALLATION

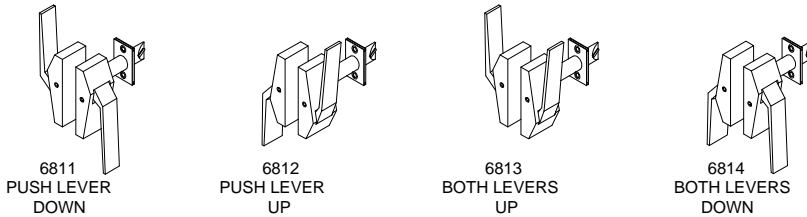


ITEM	QTY	PART DESCRIPTION
1	2	COVER
2	6	8-32 x 3/8" FHMS
3	4	10-32 KEP NUTS
4	1	PULL SIDE HANDLE ASSEMBLY
5	2	#8 x 3/4" PH. FL. HD. W.S.
6	1	LATCH
7	1	PUSH SIDE HANDLE ASSEMBLY
8	4	10-32 x 2-1/4" PH. PN. HD. M.S.
9	REF	HANDLE SPRING
10	REF	PIN & RETAINING WASHER

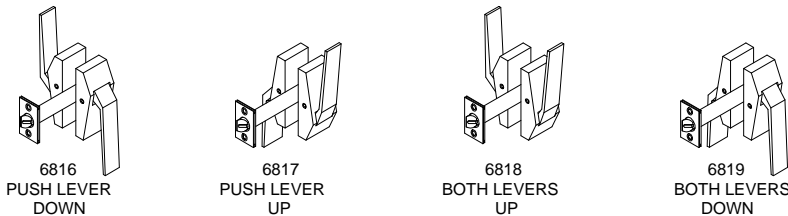
INSTALLATION INSTRUCTIONS:

1. Push/Pull latches are assembled for right hand and left hand doors. Be sure correct side matches door application.
2. Place latch bolt (item 6) unit in door making sure bolt bevel faces direction of door closing. Attach latch with two (2) #8 or 8-32 (item 5 or 2) screws depending on door.
3. Position lever assemblies so that locating pin and cam arm enter into corresponding holes in latch bolt unit. Attach lever assemblies (item 4 & 7) by thru bolting onto door with four (4) #10-32 (item 8) screws and four (4) #10-32 (item 3) keps nuts. For purpose of alignment do not tighten screws until all four (4) screws have been started.
4. Apply covers and fasten with (2) 8-32 screws (item 2) for each cover.
5. Insert dust box in frame mortise and attach strike with two (2) #8 or 8-32 screws.

MOUNTING POSITIONS FOR LEFT HANDED DOOR

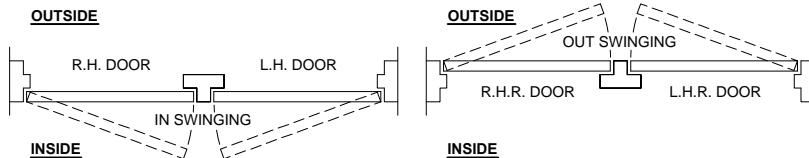
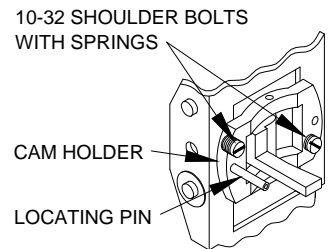


MOUNTING POSITIONS FOR RIGHT HANDED DOOR



TO CHANGE HANDING DIRECTION OF PUSH OR PULL LEVER

Remove the (2) 10-32 shoulder bolt with spring that secure the cam holder assembly, Note the direction of the locating pin before starting. Rotate the cam holder assembly 180°. Reinstall the (2) 10-32 shoulder bolt with springs.



USE L.H. PUSH/PULL LATCHSET FOR R.H.R. DOORS
USE R.H. PUSH/PULL LATCHSET FOR L.H.R. DOORS

PATENT PENDING



® www.abhmfg.com
E-mail: abhinfo@abhmfg.com
Architectural Builders Hardware Mfg., Inc.
1222 Ardmore Ave., Itasca, IL 60143
630.875.9900; FAX 800.9FAXABH (932.9224)

© 2017 ABH Mfg., Inc.
printed in USA

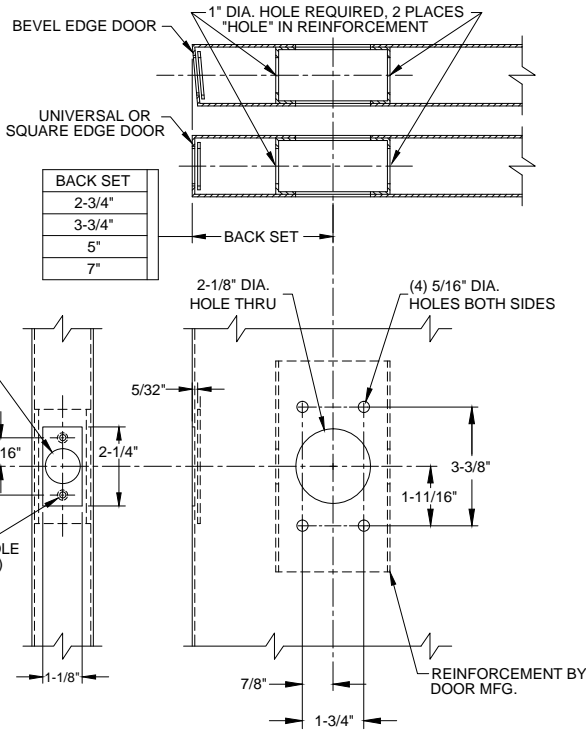
6800-1-08.DWG

6800

PAGE 1 OF 3

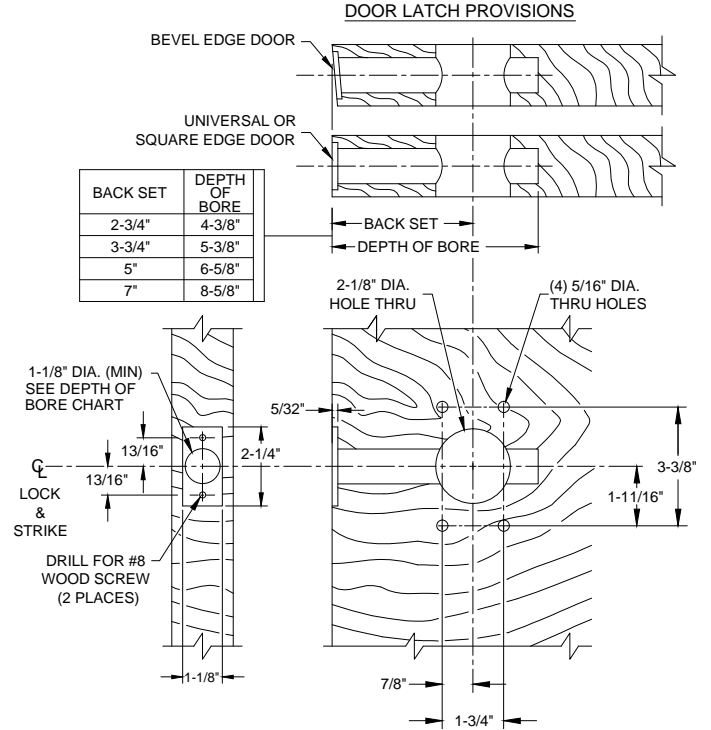
REVISED 05-19-17

6800 SERIES LOW PROFILE - DOOR PREP



METAL DOOR

(VERTICAL MOUNTING SHOWN)

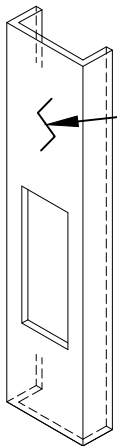


WOOD DOOR

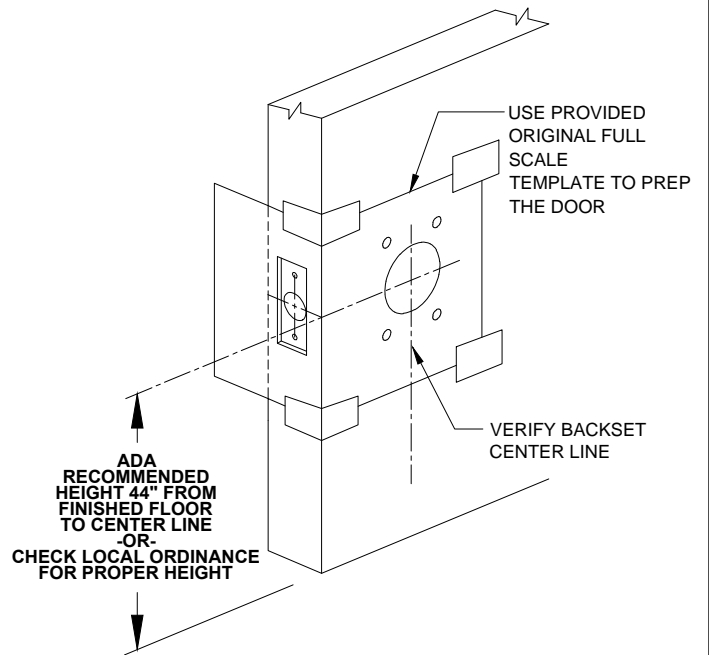
(VERTICAL MOUNTING SHOWN)

DOOR PREP INFORMATION:

1. BACKSET DIMENSION FROM LOW EDGE OF BEVEL.
2. CENTER PUNCH ALL HOLES.
3. DRILL HOLES (FOR HOLLOW METAL DOORS, DO NOT DRILL THRU. CENTER PUNCH & DRILL HOLES FROM BOTH SIDES OF DOOR).



EDGE GUARD NOTE:
WHEN PREPING THE DOOR FOR THE BACKSET, DETERMINE IF THE DOOR WILL RECEIVE AN EDGE GUARD, IF SO, THE EDGE GUARD SHOULD BE INSTALLED FIRST AND THEN THE PREP FOR THE LATCH BACKSET SHOULD BE MEASURED FROM THE OUTSIDE EDGE OF THE EDGE GUARD.



® www.abhmfg.com
E-mail: abhinfo@abhmfg.com
Architectural Builders Hardware Mfg., Inc.
1222 Ardmore Ave., Itasca, IL 60143
630.875.9900; FAX 800.9FAXABH (932.9224)

© 2017 ABH Mfg., Inc.
printed in USA

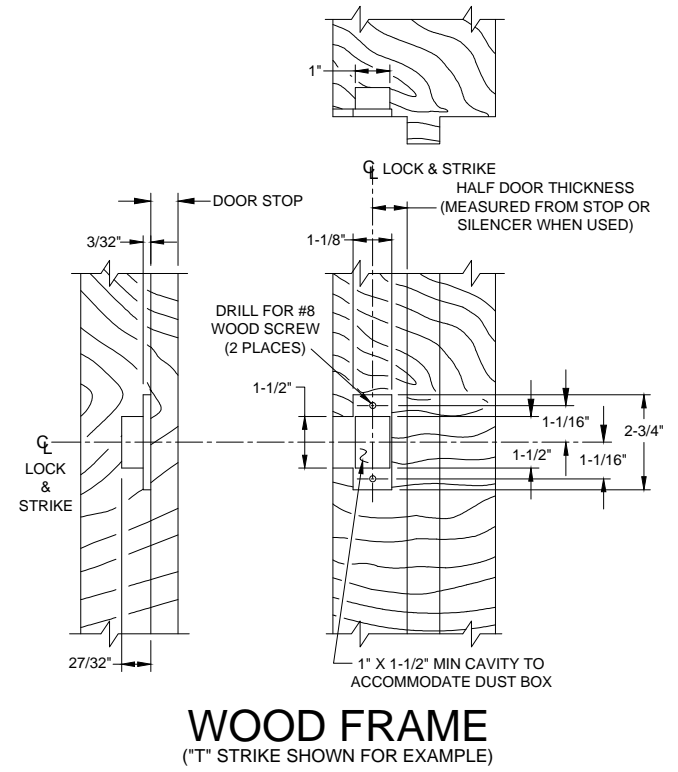
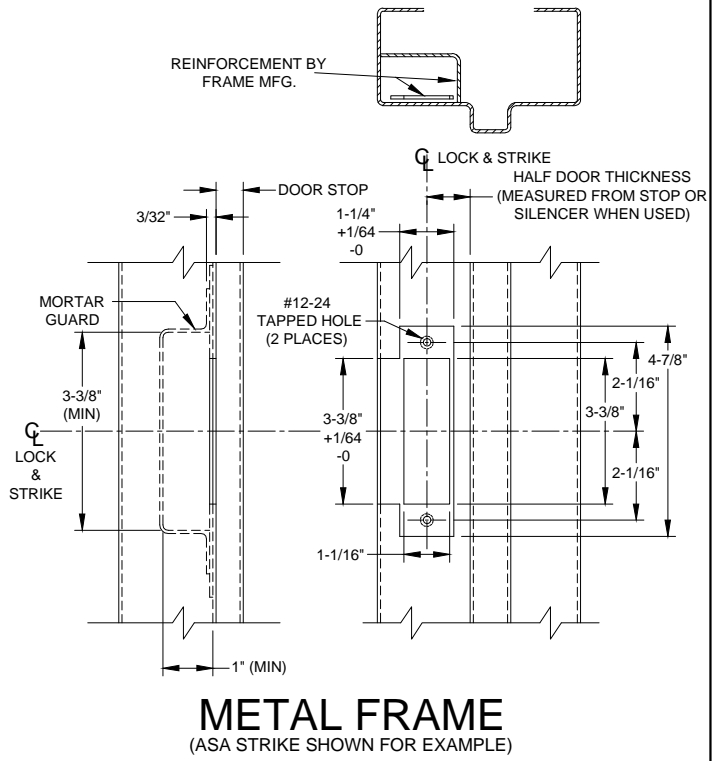
6800-2-08.DWG

6800

PAGE 2 OF 3

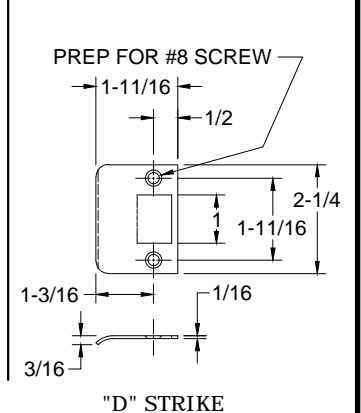
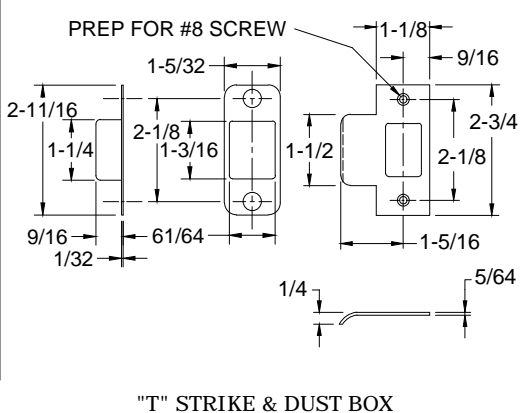
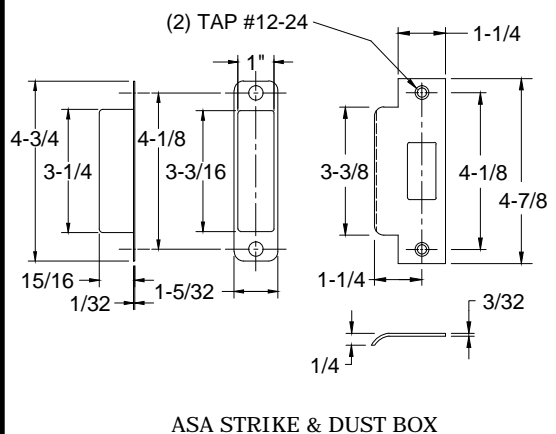
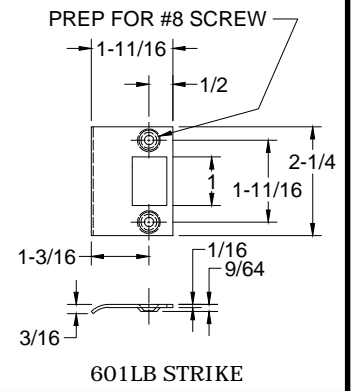
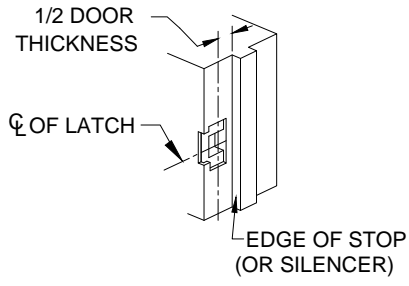
REVISED 05-19-17

6800 SERIES LOW PROFILE - FRAME PREP



FRAME PREP:

1. Mark centerline of latch bolt on frame.
2. Center strike and mark screw positions.
3. Mortise to required strike and box depth.
4. All dimensions in inches.



www.abhmfg.com
 E-mail: abhinfo@abhmfg.com
 Architectural Builders Hardware Mfg., Inc.
 1222 Ardmore Ave., Itasca, IL 60143
 630.875.9900; FAX 800.9FAXABH (932.9224)

©2017 ABH Mfg., Inc.
 printed in USA

6800-3-08.DWG

6800

PAGE 3 OF 3

REVISED 05-19-17