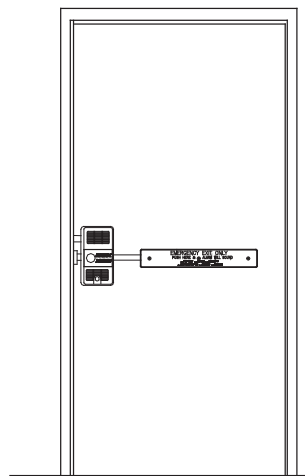
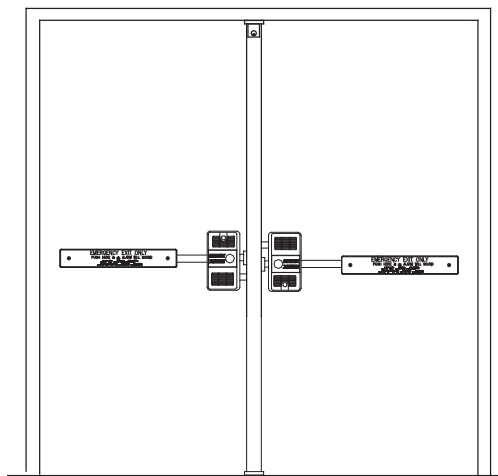


Detex Corporation, 302 Detex Drive, New Braunfels, Texas 78130-3045
(830)629-2900 / 1-800-729-3839 / Fax (830)620-6711
E-MAIL: detex@detex.com INTERNET: www.detex.com

**INSTALLATION INSTRUCTIONS FOR THE ECL-600
RELATCHING FIRE RATED PANIC DEVICE (3-HOURS)
SURFACE MOUNT ONLY**



SINGLE DOOR

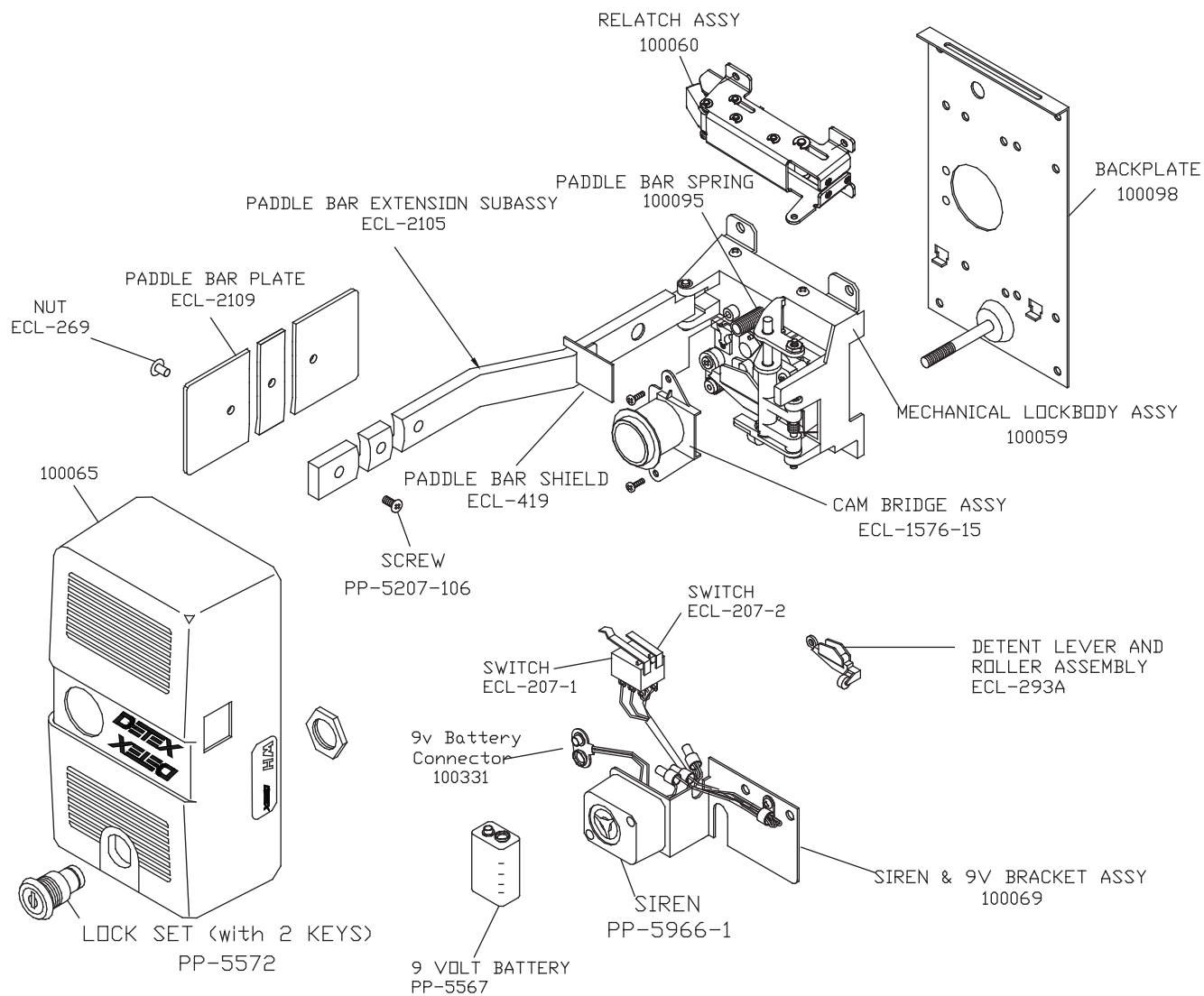


DOUBLE DOORS WITH
REMOVABLE MULLION

APPLICATIONS, ECL-600

STOP!

CAUTION – IF OUTSIDE LEVER TRIM (ECL-620) IS TO BE INSTALLED, DISCARD INS-600 AND USE INS-620 INSTALLATION INSTRUCTIONS FOR BOTH ASSEMBLIES (ECL-600 AND ECL-620)!

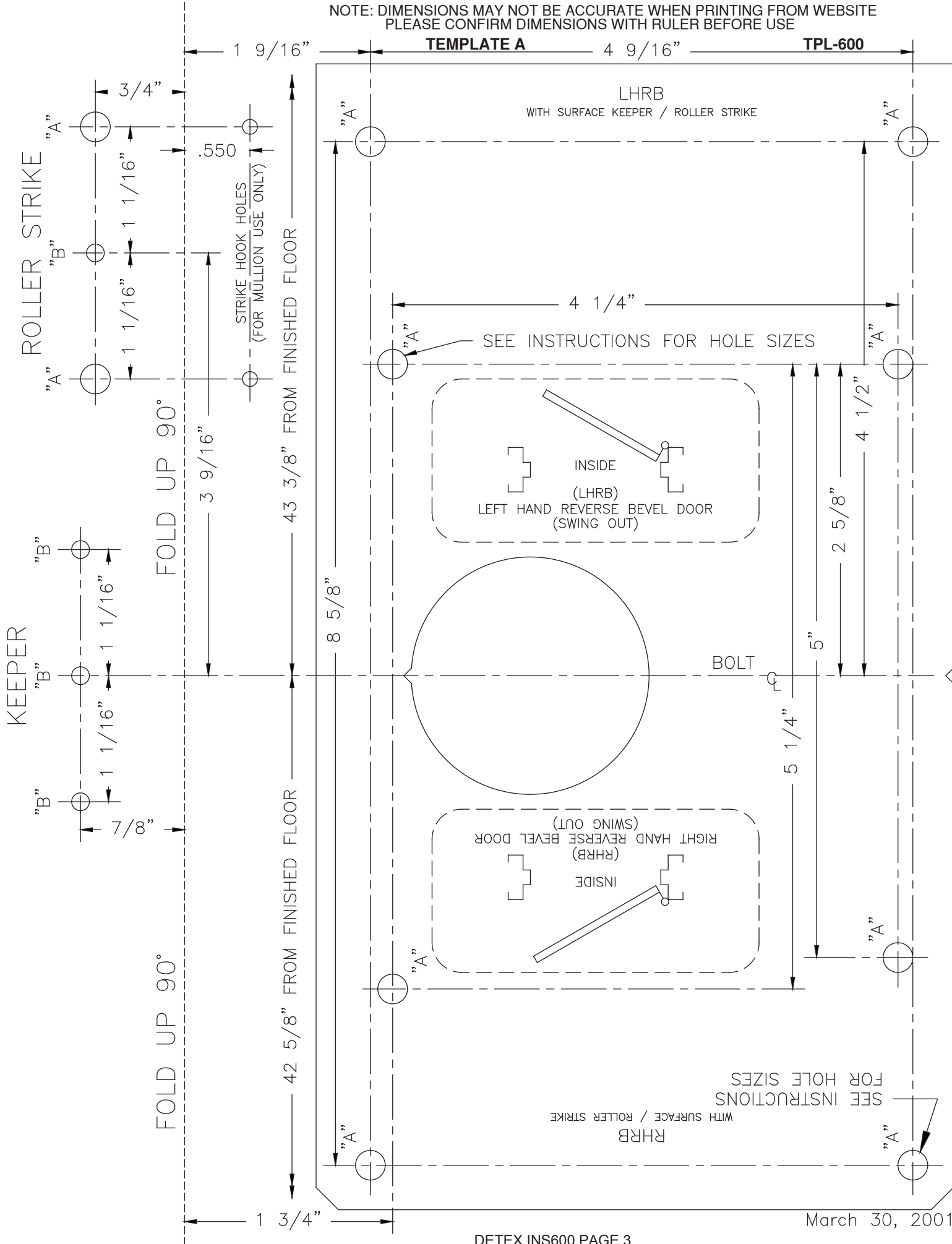


ILLUSTRATED PARTS BREAKDOWN

QUESTIONS?

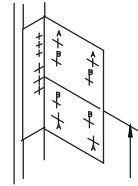
Contact Customer Service
at
1-800-729-3839

NOTE: DIMENSIONS MAY NOT BE ACCURATE WHEN PRINTING FROM WEBSITE
PLEASE CONFIRM DIMENSIONS WITH RULER BEFORE USE



DOOR AND FRAME PREPARATION
(FOR UNIT WITH OUTSIDE LEVER TRIM (ECL-620) USE INS-620)

1



MARK THE FOLLOWING HOLE CENTERS ON THE DOOR & FRAME:
THREE (3) #10 (B) HOLE CENTERS ON THE FRAME FOR KEEPER
TWO (2) 1/4" (A) HOLE CENTERS ON THE FRAME FOR OUTER HOLES OF ROLLER STRIKE
ONE (1) #10 (B) HOLE CENTER ON THE FRAME FOR MIDDLE HOLE OF ROLLER STRIKE
EIGHT (8) 1/4" (A) HOLE CENTERS ON THE DOOR

NOTE:
DO NOT DRILL THE CENTER HOLES IN THE KEEPER AND ROLLER STRIKE AT THIS TIME (SEE STEP 2).

FOR 1/4"-20 MACHINE SCREW HOLES, USE #7 DRILL
FOR #14 SHEET METAL SCREW HOLES, USE #10 DRILL
FOR #10-24 MACHINE SCREW HOLES, USE #25 DRILL
FOR #10 SHEET METAL SCREW HOLES, USE #25 DRILL

INSTALL ROLLER STRIKE WITH TWO (2) 1/4" PANHEAD SCREWS IN OUTER HOLES
INSTALL THE KEEPER WITH TWO (2) #10 FLATHEAD SCREWS IN OUTER HOLES

ONE TEMPLATE IS PROVIDED FOR SURFACE KEEPER. FOLD IT AS DIRECTED.

DRAW A LINE ON THE DOOR FOR CENTERLINE OF DEADBOLT AT THE HEIGHT FROM FINISHED FLOOR SHOWN ON THE TEMPLATE.

CLOSE THE DOOR FIRMLY AGAINST THE FRAME STOP. POSITION THE TEMPLATE ON THE DOOR.

DETEX INS600 PAGE 4

INSTALL BACKPLATE

INSTALL THE BACKPLATE WITH TWO 1/4" SCREWS IN HOLES MARKED 1 & 2 NEAR POST AS SHOWN

INSTALL MECHANICAL ASSEMBLY

INSTALL THE RELATCHING ASSEMBLY WITH TWO 1/4" SCREWS IN HOLES MARKED 3 & 4 AS SHOWN.

IMPORTANT:
ENGAGE ALIGNMENT BOLT ON MECHANICAL ASSEMBLY WITH ALIGNMENT HOLE ON RELATCHING ASSEMBLY AS SHOWN IN FIG. 2 DETAIL 1.

INSTALL THE MECHANICAL ASSEMBLY WITH THREE 1/4" SCREWS IN HOLES MARKED 5, 6, & 8 AS SHOWN. INSTALL ADJUSTABLE MOUNTING PLATE WITH REMAINING 1/4" SCREW IN HOLE MARKED 7.

INSTALL THE ACTUATING BAR & LEVER AS SHOWN IN FIG. 2. LUBRICATE MECHANISM WITH WD-40

ENGAGE THE BOLT AND LATCH INTO THE KEEPER AND ROLLER STRIKE. ADJUST THE KEEPER AND ROLLER STRIKE AS NECESSARY AND TIGHTEN SCREWS. DRILL THE CENTER HOLES FOR THE KEEPER AND ROLLER STRIKE AND INSTALL SCREWS. ONE (1) #10 FLATHEAD SCREW FOR THE KEEPER AND ONE (1) #10 FLATHEAD SCREW FOR THE ROLLER STRIKE.

3 **INSTALL IKC**

INSTALL IKC PER FIG. 1 (IKC INSTALLATION)

INSTALL BATTERY AND INSTALL COVER

INSTALL 9V BATTERY

4

INSERT THE ACTUATING BAR THROUGH THE HOLE IN THE COVER AND SLIDE THE COVER OVER THE BAR

INSTALL THE PADDLE ON THE BAR. HOOK THE COVER ON THE BACKPLATE AND LOCK THE COVER.

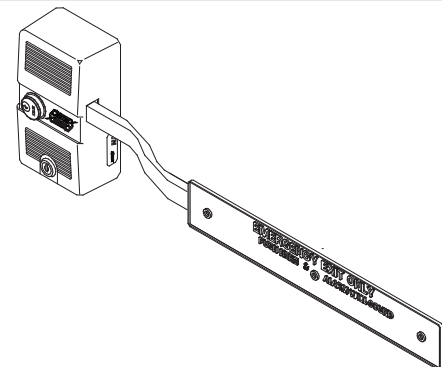
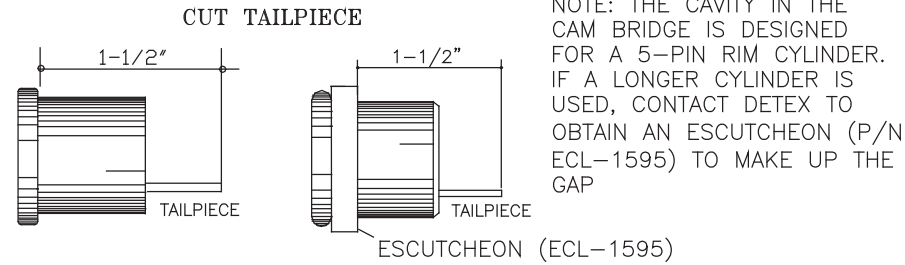
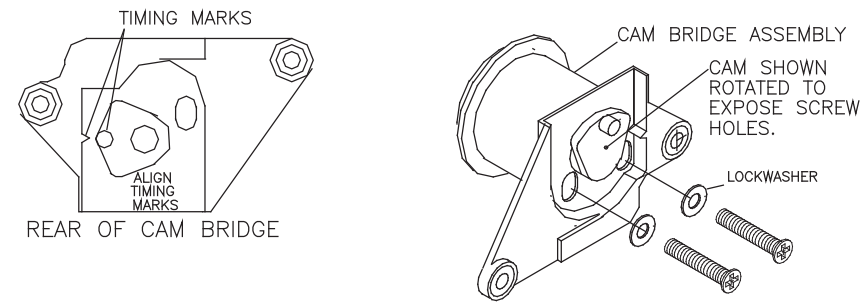


FIG. 1.— IKC INSTALLATION

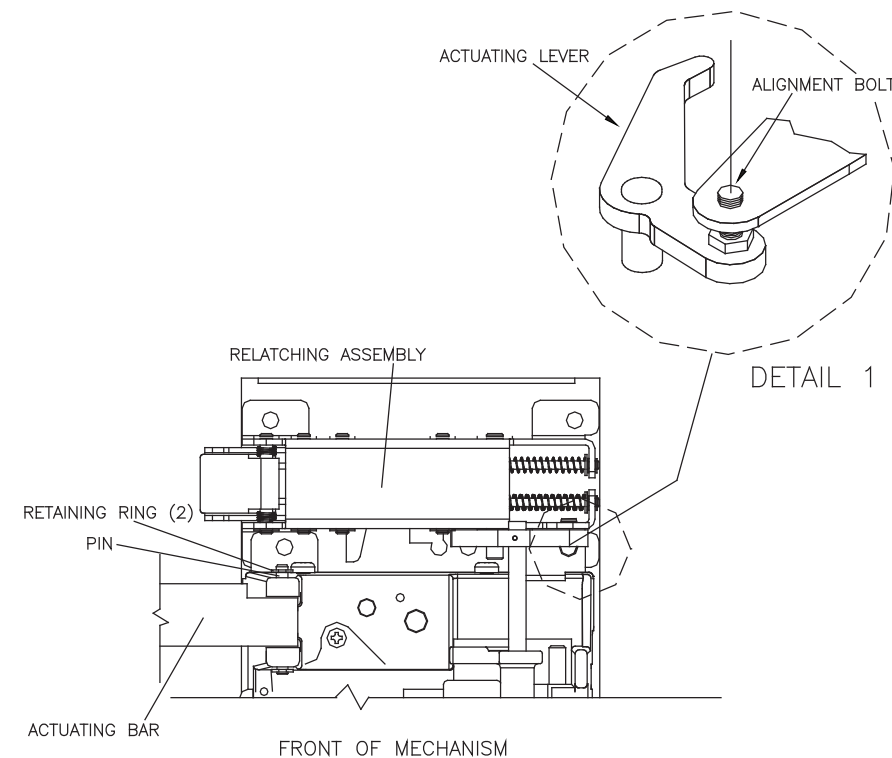


REMOVE CAM BRIDGE



1. ALIGN "TIMING MARKS".
2. REMOVE KEY AND INSERT CYLINDER.
3. SECURE THE CYLINDER BY INSTALLING A SCREW WITH LOCKWASHER INTO THE EXPOSED MOUNTING HOLE. INSERT THE KEY AND TURN IT TO EXPOSE THE SECOND HOLE AND INSTALL THE SECOND SCREW AND LOCKWASHER. TURN THE KEY IN BOTH DIRECTIONS. THERE MUST NOT BE ANY FRICTION OR BINDING.
4. REMOVE KEY. INSTALL THE CAM BRIDGE. BE CAREFUL NOT TO DAMAGE THE SWITCHES.

FIG. 2.—ACTUATING BAR & LEVER INSTALLATION



TOOLS AND SUPPLIES REQUIRED

- PENCIL
- TAPE FOR TEMPLATES
- CENTER PUNCH
- HAMMER
- DRILL MOTOR
- DRILL BITS
- SCREWDRIVERS
- LINESMAN'S CUTTERS TO CUT THE RIM CYLINDER TAILPIECE
- TAPE MEASURE
- COMBINATION SQUARE

TEST AND TROUBLESHOOTING

RETAINING LATCH DOES NOT ENGAGE

- a) VERIFY THAT WHEN THE DOOR IS CLOSED THE LATCH IS ENGAGED & THE DEAD LOCKING LATCH IS DEPRESSED BY THE ROLLER STRIKE. IF LATCH DOES NOT ENGAGE ROLLER STRIKE, ADJUST THE ROLLER STRIKE ON THE FRAME AS REQUIRED. INSTALL SHIM AS NECESSARY.

COVER LOCK KEY DOES NOT TURN

- a) CONFIRM KEY NUMBER ON CYLINDER FACEPLATE MATCHES NUMBER ON THE KEY
- b) LUBRICATE WITH WD-40

INSIDE KEY CONTROL (IKC) KEY IS HARD TO TURN

- a) OPEN DOOR. WITH DOOR OPEN, TURN THE KEY TO EXTEND AND RETRACT THE BOLT
- b) IF THE KEY TURNS FREELY, THE PROBLEM IS MISALIGNMENT OF THE BOLT AND KEEPER.
- c) CLOSE THE DOOR AND EXTEND THE BOLT. CHECK THE BOLT ALIGNMENT AND ADJUST THE KEEPER AS REQUIRED
- d) IF THE KEY IS HARD TO TURN WHILE THE DOOR IS OPEN, THE PROBLEM IS BECAUSE THE CYLINDER TAILPIECE IS TOO LONG. REMOVE THE CYLINDER AND SHORTEN THE TAILPIECE.

THE IKC KEY CANNOT BE REMOVED WHEN THE BOLT IS EXTENDED OR RETRACTED.

- a) REMOVE THE CAM BRIDGE ASSEMBLY
- b) REMOVE THE CYLINDER
- c) ALIGN THE TIMING MARKS ON THE HOUSING
- d) REMOVE THE KEY FROM THE CYLINDER
- e) INSTALL THE CYLINDER
- f) SECURE

COVER CANNOT BE INSTALLED WHEN USING A 7-PIN CYLINDER

CONFIRM THAT THE ESCUTCHEON (SEE FIG. 1) DOES NOT EXCEED 1/4".

UNIT DOES NOT SOUND

- a) CHECK/REPLACE BATTERY
- b) CHECK FOR LOOSE OR BROKEN BATTERY LEADS/SIREN LEADS
- c) REPLACE SIREN
- d) CHECK SWITCHES—BROKEN/BINDING?
- e) CHECK PLASTIC ACTUATOR—BROKEN?