

FotodioX[®]
F O T O D I O X

FotodioX[®]
F O T O D I O X
www.fotodioxpro.com



FotodioX Inc.

1100 Lakeside Dr Gurnee, IL60031, United States

Toll Free:(866)812-1107

Local & International: (847)201-4623

Fax: (847) 261-0295

[Http://www.fotodioxpro.com](http://www.fotodioxpro.com)

PRIZMO 7x1 | **PRIZMO 7x2**
F O T O D I O X | F O T O D I O X
USER MANUAL

FACTOR Prizmo 150/300

Introduction:

Thank you for choosing the FACTOR Prizmo lighting series from Fotodiox Pro. FACTOR Prizmo lights are designed with all-aluminum frames for durability and enhanced heat dissipation. These lights have been designed using all of the features and advantages of LED lighting and our FACTORSOFT technology, creating a soft, compact and efficient flat light panel. FACTOR Prizmo lights are adjustable from 2800K to 10000K with adjustable green and magenta points to optimize the spectrum for superb color effects. All models can be controlled using DMX512 protocols or via the built-in operations menus.

Characteristics:

1. Fully adjustable color temperature from 2800K to 10000K.
2. Complete 0-360° color selection (RGB+W color gamut).
3. Fully dimmable from 0-100%.
4. Multiple pre-programmed scenes and effects.
5. Diffused light panel provides soft, even, clean light.
6. CRI ≥ 95; TLCI ≥ 91.
7. High output, comparable to 2KW tungsten light.
8. Accessories attach via convenient clip-in design making them quick and easy to change.
9. DMX 512 compatible.
10. Suitable for indoor or outdoor photography and videography. Great for studio or location shoots including TV, film, portrait photography and more.

Cautions:

1. Do not disassemble the or modify the light.
2. Remove batteries when in storage.
3. When not in use for extended periods of time, DO discharge and recharge the batteries at least one time monthly.
4. Do not short circuit the batteries as this may seriously damage the batteries and increase risk of fire.
5. Do not drop or damage the batteries; doing so may increase risk of fire.
6. Do not burn the batteries; properly dispose of them according to local regulations.
7. Do not operate with wet hands, doing so may cause electric shock.
8. Do not operate in environments near flammable gasses or volatile liquids as this may increase the risk of explosion/fire.
9. Do not operate in enclosed spaces where heat buildup can be extreme, such as a car on a sunny day. The increased heat may cause premature failure of the lighting unit.
10. Do not touch the plug or AC adapter with wet hands; doing so may cause electric shock.
11. Do not damage, disassemble, twist or modify the power cord as it may increase the risk of fire or electric shock.
12. Do not place under heavy objects.
13. Avoid dust and debris buildup as this will change the illuminance and color temperature.
14. Keep the light surface clean with a soft, dry cloth.
15. When hanging the light, always use the included safety cable.
16. Do not block the air inlet for the cooling fan. Doing so will inhibit heat dissipation and may cause excess noise.

Packing List:



FACTOR Prizmo 150

- ① FACTOR Prizmo 150 - 1PC ② Barn doors - 1PC ③ Power cord - 1PC
 ④ DMX cable - 1PC ⑤ AC power adapter 144W - 1PC ⑥ Hard case - 1PC
 ⑦ Safety cable - 1PC ⑧ Magic cable tie - 3PCS ⑨ Instruction manual - 1PC

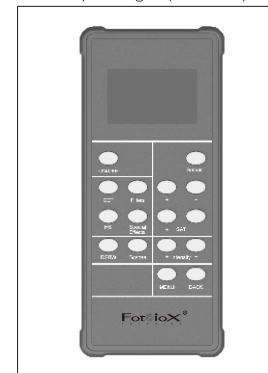
Optional accessories:



Honeycomb grid (HC-2000)



Softbox for FACTOR Prizmo 150

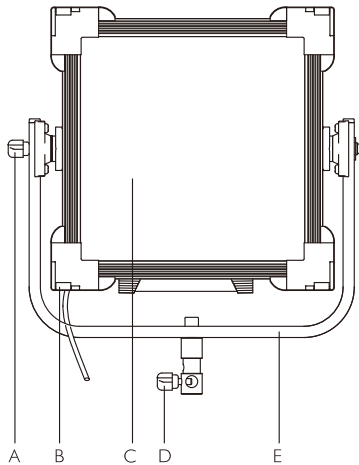


Remote control



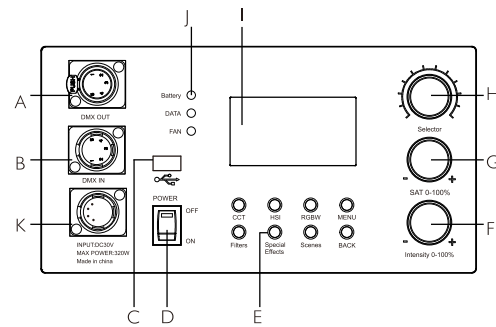
Mobile APP

Parts Diagram:



FACTOR Prizmo 150 Front view

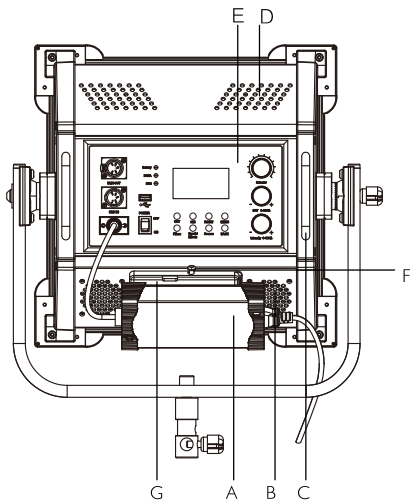
- Ⓐ Yoke locking screw
- Ⓑ Accessory clip
- Ⓒ Front diffuser panel
- Ⓓ Mount locking screw
- Ⓔ Yoke



FACTOR Prizmo 150 Control panel

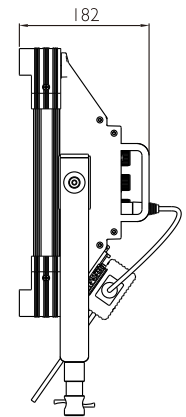
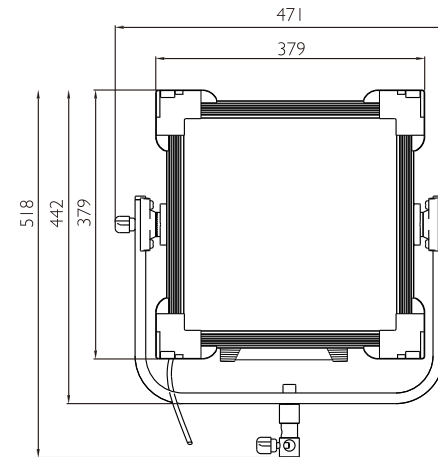
- Ⓐ DMX output
- Ⓑ DMX input
- Ⓒ USB port
- Ⓓ Power switch
- Ⓔ Tact switches (HSI, CCT, RGBW, MENU, Filters, Scenes, Special Effect, BACK)
- Ⓛ knob 1---Intensity
- Ⓜ knob 2---SAT
- Ⓨ knob 3---Selector
- Ⓛ LCD screen
- Ⓛ Indicator part (3 indicators)
- Ⓚ 4 pin XLR socket

Dimensions unit:(mm)



FACTOR Prizmo 150 Back view

- Ⓐ AC power adapter
- Ⓑ Cooling fan air inlet
- Ⓒ Handle
- Ⓓ Cooling fan air outlet
- Ⓔ Control panel (Instructions begin on page 30)
- Ⓛ V-lock release button
- Ⓜ V-lock battery plate



Packing List:



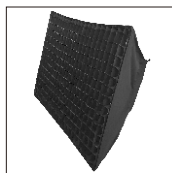
FACTOR Prizmo 300

- ① FACTOR Prizmo 300 –IPC
- ② Barn doors–IPC
- ③ Power cord–IPC
- ④ DMX cable–IPC
- ⑤ AC power adapter 320W –IPC
- ⑥ Hard case–IPC
- ⑦ Safety cable –IPC
- ⑧ Magic cable tie–3PCS
- ⑨ Instruction manual–IPC

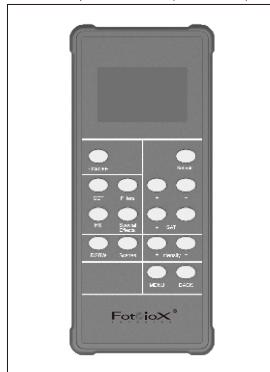
Optional accessories:



Honeycomb Grid (HC-4000)



Softbox for FACTOR Prizmo 300

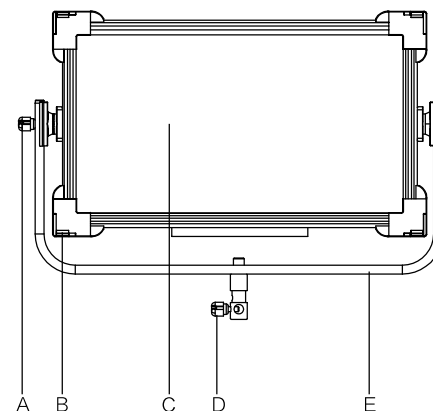


Remote control



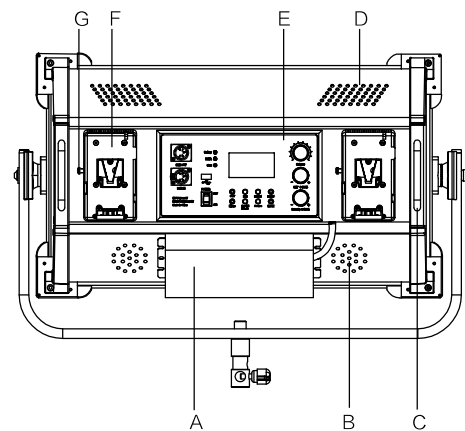
Mobile APP

Parts Diagram:



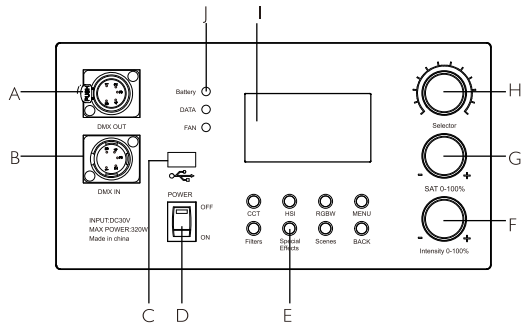
FACTOR Prizmo 300 Front view

- Ⓐ Yoke locking screw
- Ⓑ Accessory clip
- Ⓒ Front diffuser panel
- Ⓓ Mount locking screw
- Ⓔ Yoke



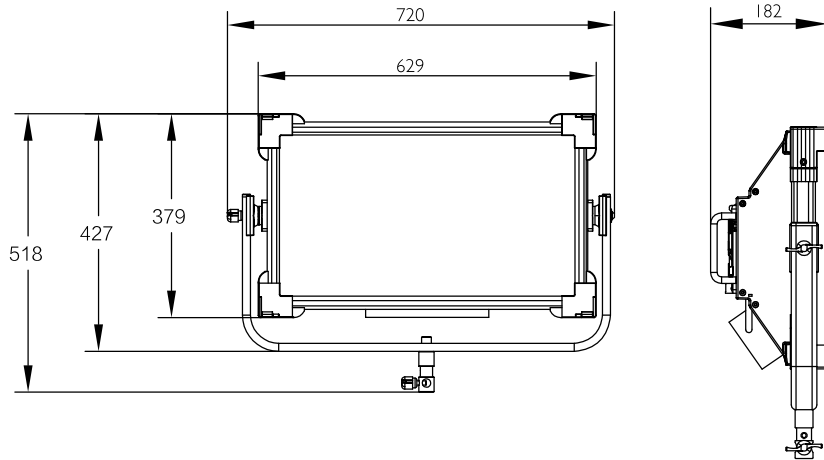
FACTOR Prizmo 300 Back view

- Ⓐ AC power adapter
- Ⓑ Cooling fan air inlet
- Ⓒ Handle
- Ⓓ Cooling fan air outlet
- Ⓔ Control panel (Instructions begin on page 30)
- Ⓕ V-lock battery plate
- Ⓖ V-lock release button



- FACTOR Prizmo 300 Control panel
- Ⓐ DMX output
 - Ⓑ DMX input
 - Ⓒ USB port
 - Ⓓ Power switch
 - Ⓔ Tact switches (HSI, CCT, RGBW, MENU, Filters, Color Effect, Scenes, Special Effect, BACK)
 - Ⓕ knob 1-Intensity
 - Ⓖ knob 2-SAT
 - Ⓗ knob 3-Selector
 - Ⓘ LCD screen
 - Ⓛ Indicator part (3 indicators)

Dimensions unit:(mm)



Specifications:

No.	Name	FACTOR Prizmo 150
1	LED/Diffusion	FACTORSOFT™ Technology
2	Front diffuser panel	1foot X 1foot (30x30CM)
3	Beam angle	120°
4	Color light	Full RGB+W gamut with hue saturation control
5	Dimming	0-100% continuous
6	White light	Continuously adjustable 2800K to 10000K
7	CRI	CRI ≥ 95, TLCI ≥ 91
8	Color temperature error	+/-200K
9	Remote control	DMX 512 ,remote control, Mobile APP
10	Power input	AC 100-240V,50/60Hz,DC 15V
11	Power output	150W max
12	Battery plate	V-lock
13	Battery power	DC 12-17V
14	Battery mode power output	0-80%
15	Working temperature	-4 to 113°F (-20 to 45°C)
16	Protection	IP20
17	LED lifetime	Up to 50,000 hours
18	Weight	20lbs 5oz (9.2KG)
19	Dimension	18.5in x 20.4in x 7.2in (47x51.8x18.2CM)

FACTOR Prizmo 150 Illuminance data:

Distance	CT Illuminance			
	2800K	3200K	5600K	10000K
0.5m	10090Lux	10325Lux	11615Lux	12070Lux
1m	2972Lux	3064Lux	3394Lux	3502Lux
2m	848Lux	3274Lux	942Lux	996Lux
5m	168Lux	172Lux	190Lux	194Lux

Distance	Color Illuminance		
	Red	Green	Blue
0.5m	1601Lux	6887Lux	1011Lux
1m	467Lux	2067Lux	292Lux
2m	133Lux	575Lux	85Lux
5m	27Lux	116Lux	17Lux

Specifications:

No.	Name	FACTOR Prizmo 300
1	LED/Diffusion	FACTORSOFT™ Technology
2	Front diffuser panel	1 foot x 2feet (30x60CM)
3	Beam angle	120°
4	Color light	Full RGB+W gamut with hue saturation control
5	Dimming	0-100% continuous
6	White light	Continuously adjustable 2800K to 10000K
7	CRI	CRI ≥95, TLCI ≥91
8	Color temperature error	+/-200K
9	Remote control	DMX 512, remote control, Mobile APP
10	Power input	AC100-240V, 50/60Hz, DC30V
11	Power output	320W max
12	Battery plate	V-lock plate
13	Battery power	DC24-36V
14	Battery mode power output	0-80%
15	Working temperature	-4 to 113°F (-20 to 45°C)
16	Protection	IP20
17	LED lifetime	Up to 50,000 hours
18	Weight	32lbs 7oz (14.7KG)
19	Dimension	28.4in x 20.4in x 7.2in (72CMx51.8x18.2CM)

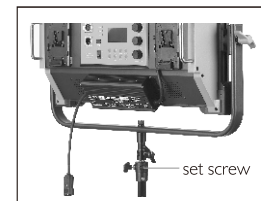
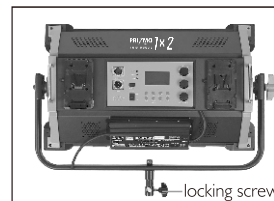
FACTOR Prizmo 300 Illuminance data:

Distance	CT	2800K	3200K	5600K	10000K
	Illuminance				
0.5m		18230Lux	18080Lux	20810Lux	20850Lux
2m		1839Lux	1860Lux	1996Lux	2008Lux
1m		6385Lux	6522Lux	6917Lux	6960Lux
5m		350Lux	357Lux	393Lux	399Lux

Distance	Color	Red	Green	Blue
	Illuminance			
0.5m		3072Lux	12910Lux	1955Lux
1m		1049Lux	4058Lux	607Lux
2m		297Lux	1176Lux	183Lux
5m		53Lux	230Lux	33Lux

Set up instructions:

- (1) Loosen the stand mount locking screw by turning counterclockwise. Place the mount on the stand or stud, then turn mount locking screw clockwise to tighten in place.
- (2) When mounting to a 1/8" stud, it will be necessary to remove the set screw.
- (3) When hanging the light, always use the safety cable provided by looping it through the yoke and the external support from which the light is hanging and connecting the ends of the cable with the provided carabiner.



1. Using the honeycomb grid:

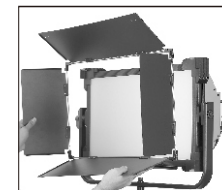
- (1) Place the bottom tabs of the honeycomb grid into the bottom clips on the front of the light, then press the top tabs into the upper clips on the light.
- (2) Check all four clips after installation to make ensure the honeycomb grid is securely installed.
- (3) To remove the honeycomb grid, push the top clips upward to release the top edge of the grid; once the top is loose tip away from light panel and pull upward to remove.



3. Using the Barn Doors.

- (1) Place the bottom tabs of the barn door assembly into the bottom clips on the front of the light, then press the top tabs into the upper clips on the light.
- (2) Check all four clips after installation to make ensure the barn door assembly is securely installed.
- (3) To remove the barn door assembly, push the top clips upward to release the top edge of the assembly; once the top is loose tip away from light panel and pull upward to remove.

Note: Honeycomb grid and barn door assembly cannot be used at the same time.



4. How to use the safety cable

- (1) When hanging the product, always use the safety cable.
- (2) The safety cable is fixed through the yoke and the external fixing frame.

5. Installing the AC power adapter*

- (1) The V-lock holder is pre-installed on the AC power adapter.
- (2) Install the power adapter with V-lock holder into the V-lock plate on the back of the light. It is successfully installed when you hear the locking mechanism click.
- (3) To remove the AC power adapter press the battery release button and push the adapter out of the V-lock plate.
*These instructions are for Prizmo 150; the AC power adapter is built-in on Prizmo 300

6. Connecting the power supply*

- (1) Insert the 4-pin XLR plug of the AC power adapter into the 4-pin XLR socket on the lower left side of the control panel; attach the power cord to the AC power adapter.
- (2) Connect the AC power adapter to the external AC power. (AC 100V-240V) You will now be able to power on your light and see real-time data for color temperature, brightness and DMX addresses on the LCD display.
*These instructions are for Prizmo 150; the AC power adapter is built-in on Prizmo 300



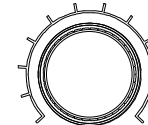
- 7. Insert your V-lock batteries (sold separately) into the V-lock plate(s). You will now be able to power on your light and view real-time data on the LCD display.

Note: FACTOR Prizmo 300 requires two batteries for proper operation



Functions of the dimming knobs

1. Selector Knob

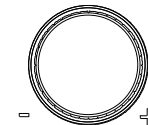


Selector

In the menu, you can rotate to select the desired mode and tap to enter. Rotate the knob to select the desired mode in the menu, tap once to set.

In other modes, parameters such as CCT, CMB, SPD, and Frq can be adjusted. In HSI, CCT, RGBW mode, long press the knob to save the current settings.

2. SAT Knob

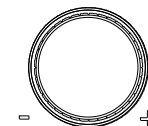


SAT 0-100%

In the menu of HSI mode, SAT can be adjusted from 0-100%.

In other modes, parameters such as SAT, CMB, Col, and Frq can be adjusted to view the operation application.

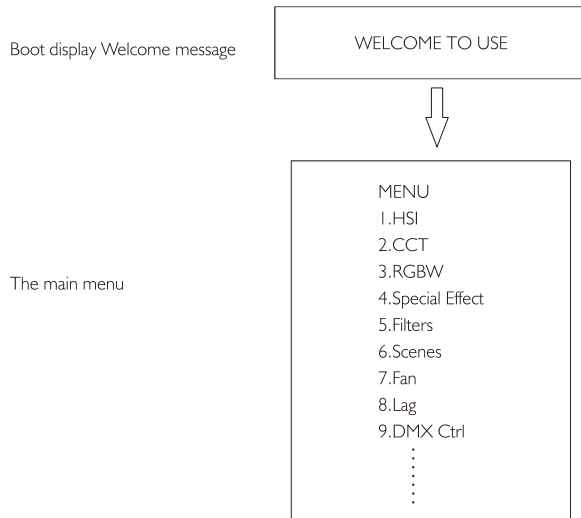
3. Intensity Knob



Intensity 0-100%

Adjusts brightness from 0-100% in any mode.

LCD display screen and the menu instruction:



Operation:

1. Use the Selector knob to highlight the desired sub-menu, press once to enter.
2. In the main menu, you can also press the shortcut button to enter a sub-menu directly.
 There are six modes: CCT, HSI, RGBW, Filters, Scenes, Special Effect.
3. After entering a sub-menu, press the BACK button to return to the previous menu.
 You can directly enter the main menu with the "MENU" button.

Indicator function description:

Battery	⊙
Data	⊙
Fan	⊙

1. Battery indicator

When the Battery indicator light is on, the V-lock battery is being used to power the light.
 When the Battery indicator light flashes, the V-lock battery is running low.
 When the battery indicator is off, the AC power adapter is being used to power the light.
 Note: When the battery is powered, the max output power is reduces to 80%.

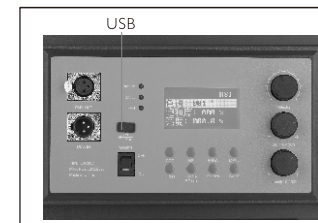
2. DATA indicator

When the data indicator is on, the DMX512 remote control function is being used.
 When the data indicator flashes, the USB port is in use for data upgrade.
 The indicator flashes once: The light receives an effective remote control signal once.

3. Fan indicator

When the fan indicator is on, the fan is working normally.
 When the fan indicator is off, the fan is not working.

4. USB port function description



When the device requires a software upgrade, you can connect to the USB flash drive through this port.
 (Upgrade software can be downloaded from www.fotodioipro.com)

Operations:

1. Download the upgrade program to the USB flash drive on www.fotodioipro.com
2. Insert the USB flash drive with the upgrade program into the USB port on the back of the light.
3. Power on, DATA indicator flashes, LCD backlight is lit until the "Welcome" interface appears.
4. The upgrade time is about 15 seconds. After the upgrade is complete, remove the USB flash drive and put on the dustproof plug.

Menu function instruction:

1. HSI

HUE:0-360°-----Adjusted by the Selector knob
 SAT:0-100%-----Adjusted by the SAT knob
 INT:0-100%-----Adjusted by the Intensity knob

2. CCT (Color temperature)

CCT:2800-10000K-----Adjusted by the Selector knob
 INT:0-100%-----Adjusted by the Intensity knob

3. RGBW selection (color component)

RGBW Selection-----Adjusted by the Selector knob
 Red:0-100% -----Adjusted by the Intensity knob
 Green:0-100% -----Adjusted by the Intensity knob
 Blue:0-100%-----Adjusted by the Intensity knob
 White:0-100%-----Adjusted by the Intensity knob
 Caution:Operating all four colors at high output may cause power overload and/or activate overheat protection.

4. Special Effects

* OFF
 * Party Effect
 ---SPD(Speed):0-100% SAT(Saturation):0-100% INT(Intensity):0-100%
 * Candle
 ---SPD:0-100% Col(Type):00/01/02 INT:0-100%
 * Clouds
 ---SPD:0-100% INT:0-100%
 * Club Lights
 ---SPD:0-100% Col(Type):03-24 INT:0-100%
 * Color Chase
 ---SPD:0-100% SA: 0-100% INT:0-100%
 * Cop Car
 ---CMB:R+B+W/B+W/R+B/B INT:0-100%
 * Fire
 ---SPD:0-100% INT:0-100%
 *Fireworks
 ---Frq:0-100% CMB:COLOR/WHITE/C+W INT:0-100%

5.Filters

Filter comparison table

Fotodiox No.	Rosco	Description	Fotodiox No.	Rosco	Description
0328	R3202	CTB	9203	4307	07 CTAN
1228	R3203	3/4 CTB	2219	4315	15 CTAN
1218	R3204	1/2 CTB	2418	4330	30 CTAN
2218	R3206	1/3 CTB	0828	4360	60 CTAN
2118	R3208	1/4 CTB	0925	4390	90 CTAN
2108	R3216	1/8 CTB	2209	4415	15 GREEN
0586	R3220	2X CTB	6506	4430	30 GREEN
9101	R3407	CTO	9701	4460	60 GREEN
9103	R3411	3/4 CTO	9901	4490	90 GREEN
6106	R3408	1/2 CTO	4208	4515	15 YELLOW
3108	R3409	1/4 CTO	9304	4530	30 YELLOW
3109	R3410	1/8 CTO	9301	4560	60 YELLOW
9100	3420	2X CTO	9300	4590	90 YELLOW
9201	3441	CTS	3009	4615	15 RED
9206	3442	1/2 CTS	9008	4630	30 RED
3208	3443	1/4 CTS	9002	4660	60 RED
4108	3444	1/8 CTS	9000	4690	90 RED
6408	3304	GREEN	3007	4715	15 MAGENTA
2208	3315	1/2 GREEN	7018	4730	30 MAGENTA
2109	3316	1/4 GREEN	9013	4760	60 MAGENTA
2106	3317	1/8 GREEN	9012	4790	90 MAGENTA
4009	3308	MAGENTA	3006	4815	15 PINK
3008	3309	3/4 MAGENTA	8008	4830	30 PINK
4008	3313	1/2 MAGENTA	9003	4860	60 PINK
3118	3314	1/4 MAGENTA	9001	4890	90 PINK
2107	3318	1/8 MAGENTA			
9102	3310				

6.Scenes

*Model One

(Corresponding CCT mode) CCT:2800-10000 K INT: 0-100%

*Model Two

(Corresponding CCT mode) HUE: 0-100% SAT: 0-100% INT: 0-100%

*Model THREE

(Corresponding RGBW mode) Red:0-100% Gre:0-100% Blu:0-100% Wht:0-100%

7. Fan

*OFF

*Low Speed /High Speed -----Fan running at low speed / high speed operation

*Auto Speed -----The fan runs according to the temperature inside the light

8. Language

*English

*Chinese

9.DMX Settings

*DMX Address

001-512 (DMX address and settings)

Use the "Selector" button to enter and adjust the "Selector" knob to the desired address.

10.Remote control operation instructions

- (1) Enter the remote control setting menu on the light. Set the desired wireless receiving address from 0 to 511.
- (2) Enter the remote control setting menu on the remote control. Set the desired wireless receiving address from 0 to 511.
- (3) Make sure to match the wireless receiving address to the same value on both the light and the remote control. The remote control can control multiple lights at the same time.
- (4) The wireless remote control has a working distance of approximately 65 feet (20 meters).

11.Factory Reset

(1)The light is restored to factory settings:

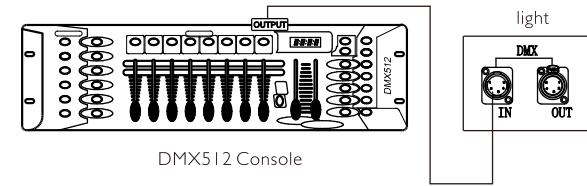
Press and hold the MENU button for more than 4 seconds in the main menu, the whole device is reset, and the data is restored to the factory setting state.

(2)Remote control factory reset

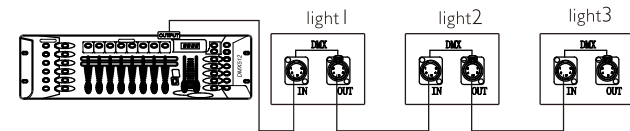
Press and hold the MENU button for more than 4 seconds in the main menu, the remote control is reset, and the data is restored to the factory setting state.

12.DMX connection:

When using DMX function, connect the DMX cable to the DMX console (see the figure below). Set the DMX address to desired address for control on the DMX console.



DMX connection for single light



DMX512 Console DMX connection for multiple lights

13.DMX control:

First, the menu needs to be switched to the DMX control interface:
(Note: Seven channels are required for proper DMX control over all parameters)

8 Bit
10 Channels

For example:

DMX address setting 1, then 1-1 is brightness control, 1-2 is color temperature control, 1-3 is red and green deviation control, 1-4 is saturation control, 1-5 is monochrome red control, 1-6 is monochrome green control, 1-7 is monochrome blue control.

Pls refer to the chart below for details of the DMX address on the LCD and the corresponding channels on the DMX console.

LCD display address	DMX console channels
1	1-1(brightness)1-2(Color temperature)1-3(Red and partial green)1-4(SAT) 1-5(red)1-6(green)1-7(blue)
2	1-2(brightness) 1-3(Color temperature) 1-4(Red and partial green)1-5(SAT) 1-6(red)1-7(green)1-8(blue)
.....	
16	1-16(brightness) 2-1(Color temperature) 2-2(Red and partial green)2-3(SAT) 2-4(red)2-5(green) 2-6(blue)
17	2-1(brightness) 2-2(Color temperature) 2-3(Red and partial green)2-4(SAT) 2-5(red)2-6(green) 2-7(blue)
.....	
506	32-10(brightness) 32-11(Color temperature) 32-12(Red and partial green)32-13(SAT) 32-14(red)32-15(green)32-16(blue)
507-512	