

DYMEC

C39S Singlemode Fiber To Serial Data Link (RS-232/422/485 Serial Media Converter

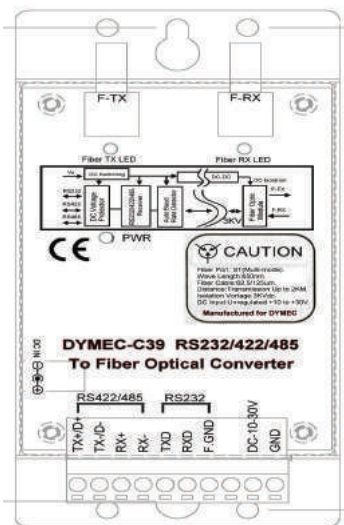
C Series Data Links for Sub-stations & Power Switch Gear

KY-C39S: Temperature hardened fiber optic Serial Link / Repeaters that convert RS232 or TTL level copper to amplitude based fiber signaling.



Fully Shielded - No Air Vents

20 KV ESD Protection for Serial Signals



The DYMEC C39S Serial Link - fiber converter allows RS-232 /422 /485 signals to be bi-directionally converted to fiber optic signalling and extend the distance to < 40 KM over Singlemode fiber. By using fiber optic transmission technology, the DYMEC C39S provides a stable and error free data transmission within industrial environments that present electrical noise & ground differential challenges, especially over long distances. The DYMEC C39S supports multiple data formats, baud rates, data direction & Auto-configuration. The C39S provides superior 3000 Volt DC Isolation, combined with internal surge protection. The best in Power Control SCADA Applications

SPECIFICATIONS:

- * Power Input Voltage: +10 to +30 Volts DC
- * Interface: RS 232 / 422 / 485 auto switching to SC Fiber (Single-Mode)
- * Class 1 Division 2, Military Grade (Single-mode).
- * RS-232: 3 full-duplex (TXD, RXD, GND).
- * RS-422: Differential 4 full-duplex wires (TX+, RX+, TX-, and RX-).
- * RS-485: Differential 2 half-duplex wires (D+, D-).
- Cable: Fiber SC Cable (9/125um).
- * Wavelength: 1310 (FPLD) nanometers. (nm)
- * Distance: RS-422/485 up to 4000ft. (1250M), and Fiber 40 KM.
- * Baud Rate: From 300bps to 115.2kbps (maximum).
- * Connection type: Screw terminal for maximum AWG # 12~30.
- * Signal LED: Power on, TX, RX.
- * Power supply: Screw terminal, or standard external DC adapter.
- * Power consumption: 1.6W.
- * Isolation Voltage: 3000V DC, Fully Surge Protected
- * Operating temperature: -40 to +85 C.
- * Storage temperature: -40 to +85 C.
- * Humidity: 10-97% non-condensing.
- * Dimensions: 151 mm X 75mm X 26mm (L x W x D)
- * Weight: 387g.

DYMEC is a Veteran Owned Small Business (VOSB)

Replaces Garrettcom - DYMEC 5843 & 5844 Serial Links

DYMEC

Kansas City, Missouri, U.S.A.

Telephone: (816) 988-7861 Fax: (480) 287-8605

Web Sites: **DYMEC.com**

DYMECDIRECT.com

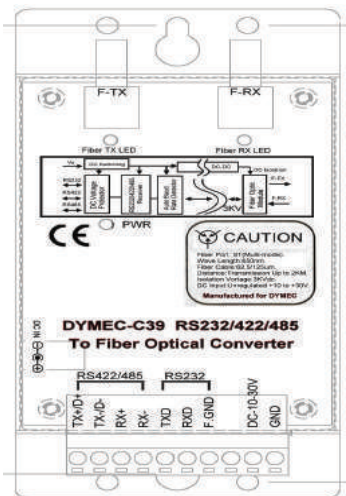
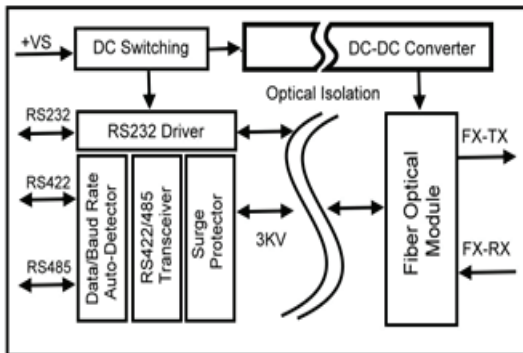
DYMEC

DYMEC C39S Serial Link Hardened Fiber Optic Link Serial Media Converter

C Series Data Links for Sub-stations & Power Switch Gear

KY-C39S: hardened fiber optic Link / Repeaters that convert RS232 or TTL level copper to amplitude based fiber signaling.

Featuring: CalTrans, NEMA TS-2, cUL IP40 Military Grade Enclosure, Small Footprint Fourth Generation Fiber Optic Assembly ElectroMagneticPulse (EMP) Certified Dual Power Inputs: Lower Power DC Powered: +10 ~ +30 Volts DC Single-Mode 1310 nm fiber < 40 KM Easy Configuration / Small Form Factor Low Power Consumption Power Consumption: 1.6 Watts



FEATURES:

- * Wide range power input voltage.
 - * SC Single-mode fiber port.
 - * Auto direction flow control on RS-485.
 - * Automatically switch signal RS-232, RS-422 and RS-485.
 - * Support 3000V DC isolation protection.
 - * All RS-422/485 signals provide surge and over current protection.
 - * Power/TX/RX mode LED indicators.
 - * Fiber transmission distance up to 40 KM.
 - * Auto baud rate switching from 300bps to 115.2 Kbps.
 - * Supports both Din-Rail and panel mount
- *** Redesigned with improved fiber optic circuits
*** Smaller Physical Footprint
*** Smaller Carbon Footprint (Lower Power Required)
- *** Use for isolation of ground differential and excessive noise areas

Class 1 Division 2 - Hazardous Location (HazLoc)

DYMEC is a Veteran Owned Small Business (VOSB)

Replaces Garrettcom - DYMEC 5843 & 5844
Serial Links

DYMEC

Kansas City, Missouri, U.S.A.

Telephone: (816) 988-7861 Fax: (480) 287-8605

Web Sites: DYMEC.com

DYMECDIRECT.com