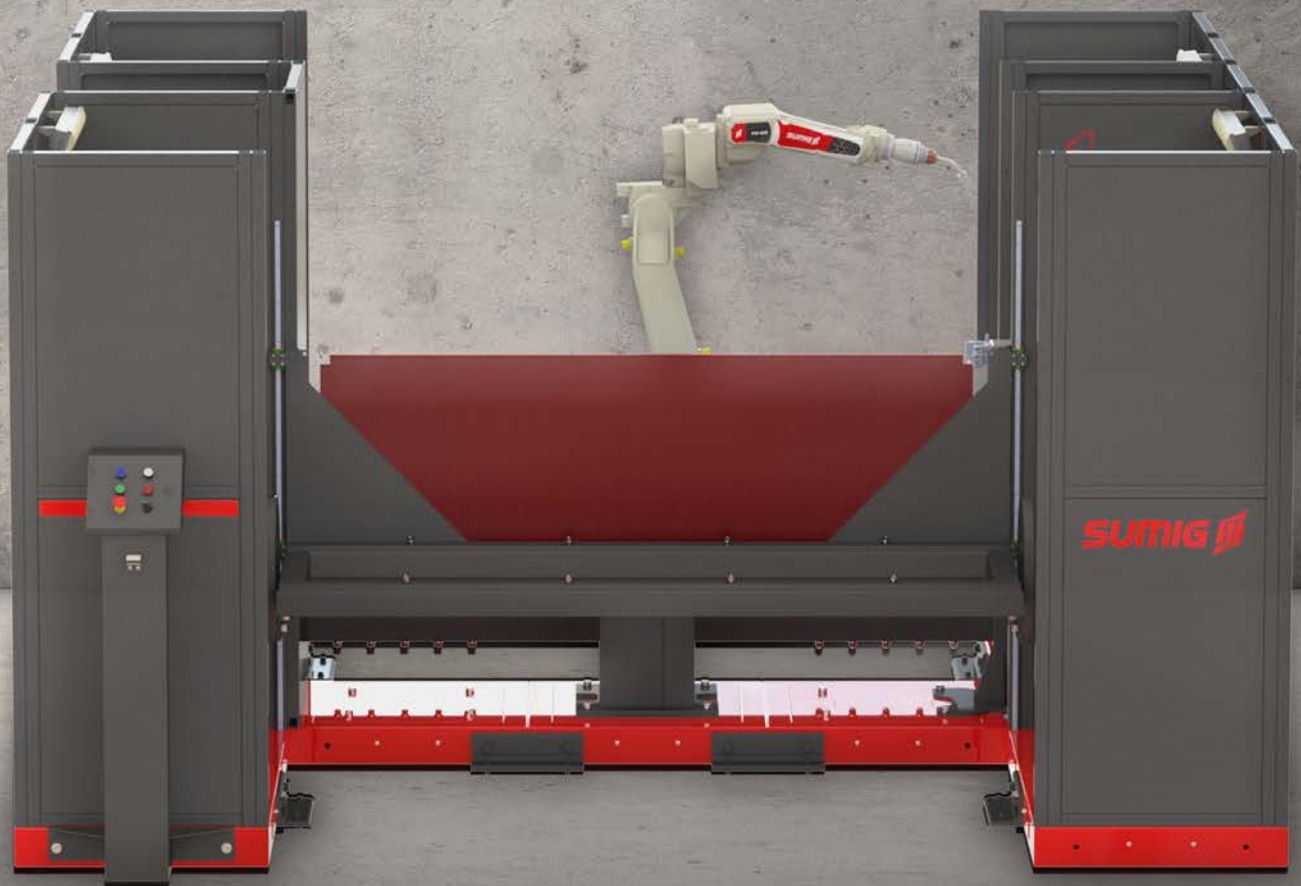




THE ROBOTIC WELDING SPECIALISTS

RTW-SD88

Dual Station System with fixed or rotational stations





Sumig is specialized in robotics welding and has the perfect solution for your company



Programming and operation friendly



Ready to Weld



Optimized Workspace



All steel construction for safety and quality



FAST SERVICE AND SUPPORT

INDUSTRY 4.0 PREPARED

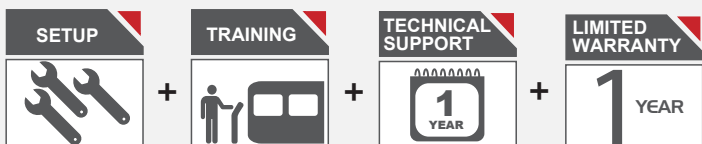
Our **RTW-SD88** is a dual back-to-back lateral feeding welding cell with fixed or rotating tables, internal or external protection screen and is designed to the welding of medium to large parts.

Sumig's newly designed **Ready-To-Weld (RTW)** modular cells systems line offers the highest scalability and configurable options in the market today. Our standard robotic welding systems includes world class robotic arms and power sources to meet your welding application, productivity and quality goals. The modular design concept allows for future expansion as your business grows.

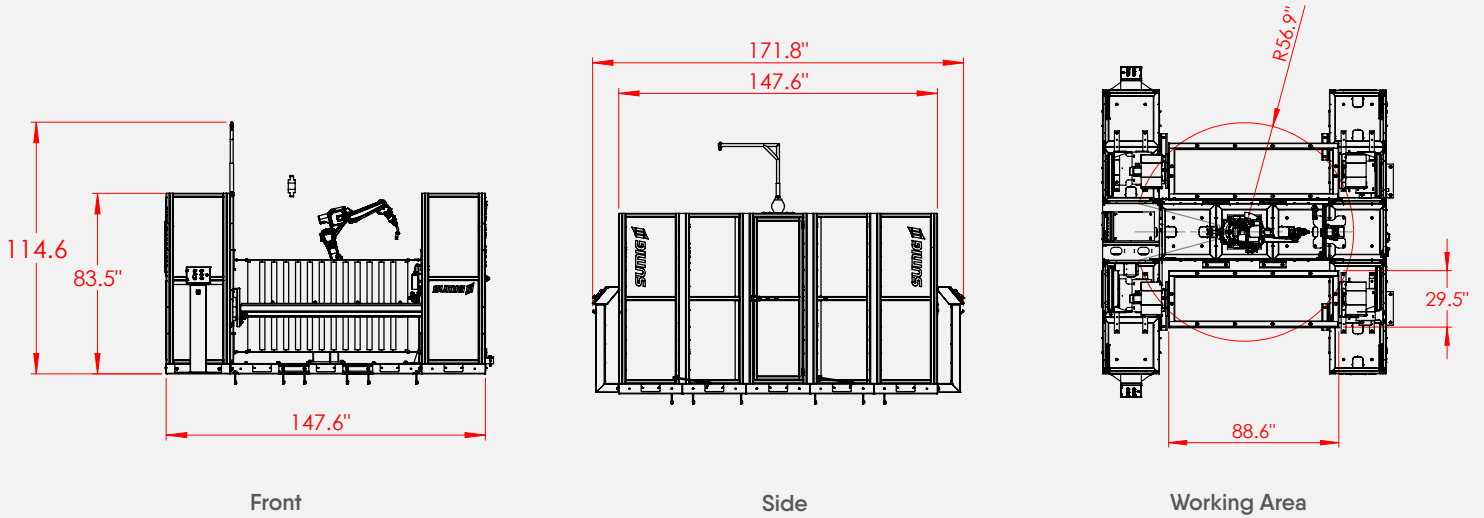
Technical Data

Workstation Dimensions	29.5" x 88.6"
Max load capacity	2204 lb
Input Power Ratings	63 Amps @ 240V 3PH 50 Amps @ 460V 3PH
Cell Dimensions	115.5" height x 147.6" width x 171.8" depth
Weight	6614 lb
Air Requirement	87 Psi. @ 20 CFM
Size in ft ²	176 ft ²


Turn Key Systems Includes:



Measurements


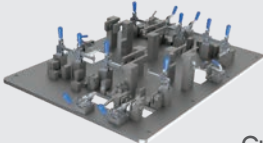


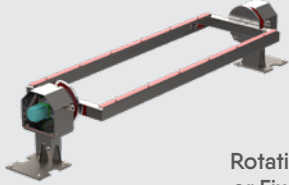



Standard Components

 <p>Robot 6 Axis 2.0 Meter Reach</p>	 <p>Power Source Pulse MIG - Pulse TIG</p>	 <p>SU 477 Robotic Welding Torch Air Cooled or Water Cooled</p>
 <p>Safety Light Barriers Welding Screen Between Stations</p>	 <p>Maintenance door</p>	 <p>Robot Controller</p>

Entire process can be automated, not only welding, but toolings, positioners, manipulators, among others. Reach us out and learn more about these components.

Optionals

 <p>Cleaning Unit</p>	 <p>Custom Automatic or Manual Tooling</p>	 <p>Torch TCP Calibration Tool</p>
 <p>Drum Kit</p>	 <p>Rotational Tables or Fixed Stations</p>	 <p>FastFind Laser Sensor</p>

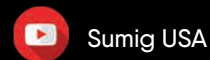
LOOKING FOR A WAY
TO BOOST YOUR
PRODUCTION?
CALL US TODAY!

**SUMIG GLOBAL
PRESENCE**

WWW.SUMIGUSA.COM

1504 EAGLE CT. STE 8 - LEWISVILLE, TX, 75057
PHONE: +1(800) 503 9717 - SUMIGUSA@SUMIG.COM

FOLLOW OUR SOCIAL MEDIA



SUMIG III