



THE ROBOTIC WELDING SPECIALISTS

RTW-SD44

Side-by-side. Dual Station Welding Cell





Sumig specializes in robotics welding and has the solution for your company



Programming and operation friendly



Ready to Weld



Optimized Workspace



All steel construction for safety and quality



FAST SERVICE AND SUPPORT

INDUSTRY 4.0 PREPARED

Our **RTW-SD44** is the ideal cell for those who seek higher performance in welding combining it with a medium investment. Side-by-side. Dual Station Welding Cell.

Sumig's newly designed **Ready-To-Weld (RTW)** modular cells systems line offers the highest scalability and configurable options in the market today. Our standard robotic welding systems includes world class robotic arms and power sources to meet your welding application, productivity and quality goals. The modular design concept allows for future expansion as your business grows.

Technical Data

Workstation Dimensions	30" x 89"
Max load capacity	2205 lb
Input Power Ratings	47 Amps @ 240V 3PH 23 Amps @ 460V 3PH
Cell Dimensions	83.4" height x 118" width x 88.6" depth
Weight	4850 lb
Air Requirement	87 Psi. @ 20 CFM
Size in ft ²	73 ft ²

Turn Key Systems Includes:



+



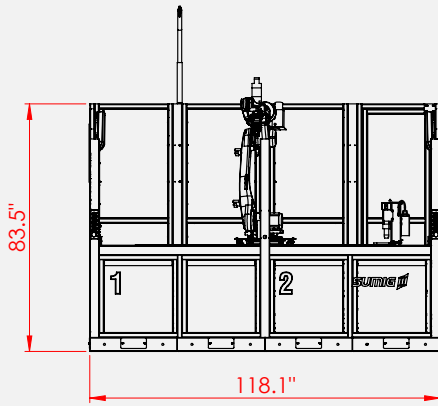
+



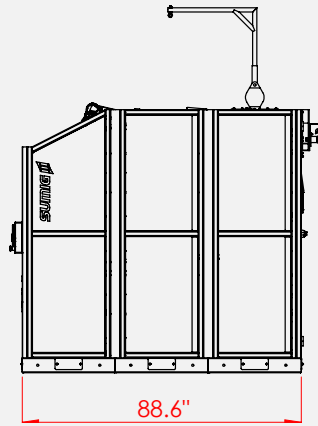
+



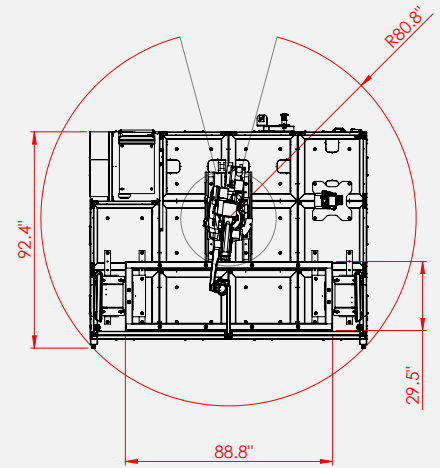
Measurements



Front



Side



Working Area

Standard Components



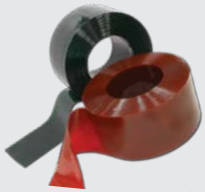
Robot 6 Axis
2.0 Meter Reach



Power Source
Pulse MIG - Pulse TIG



SU 477 Robotic
Welding Torch
Air Cooled or Water Cooled



Safety Light Barriers
Welding Screen
Between Stations



Maintenance door



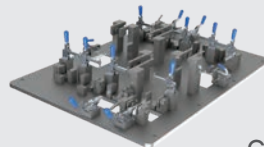
Robot Controller

Entire process can be automated, not only welding, but toolings, positioners, manipulators, among others. Reach us out and learn more about these components.

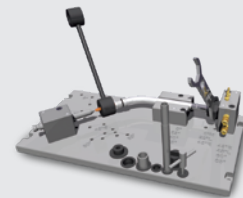
Optionals



Cleaning Unit



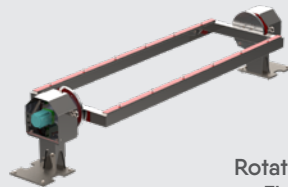
Custom Automatic
or Manual Tooling



Torch TCP
Calibration Tool



Drum Kit



Rotational Tables
or Fixed Stations



FastFind
Laser Sensor

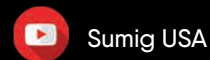
LOOKING FOR A WAY
TO BOOST YOUR
PRODUCTION?
CALL US TODAY!

**SUMIG GLOBAL
PRESENCE**

WWW.SUMIGUSA.COM

1504 EAGLE CT. STE 8 - LEWISVILLE, TX, 75057
PHONE: +1(800) 503 9717 - SUMIGUSA@SUMIG.COM

FOLLOW OUR SOCIAL MEDIA



SUMIG III