

# RTS80/73/405TY



# 2007-2016 Toyota Tundra Installation Instructions

Crew Max and Double Cabs Including wheel to wheel applications

## Hardware Kit Includes Loose:

- (1) 16 – Hex head bolts (M8-1.25x30mm) Grade 8.8
- (2) 16 – Hex head bolts (M8-1.25x 2.5mm) Grade 8.8
- (3) 32 – Lock washers (M8) Grade 8.8
- (4) 48 – Flat washers (M8) Grade 8.8
- (5) 16 – Hex head nuts (M8-1.25) Grade 8.8

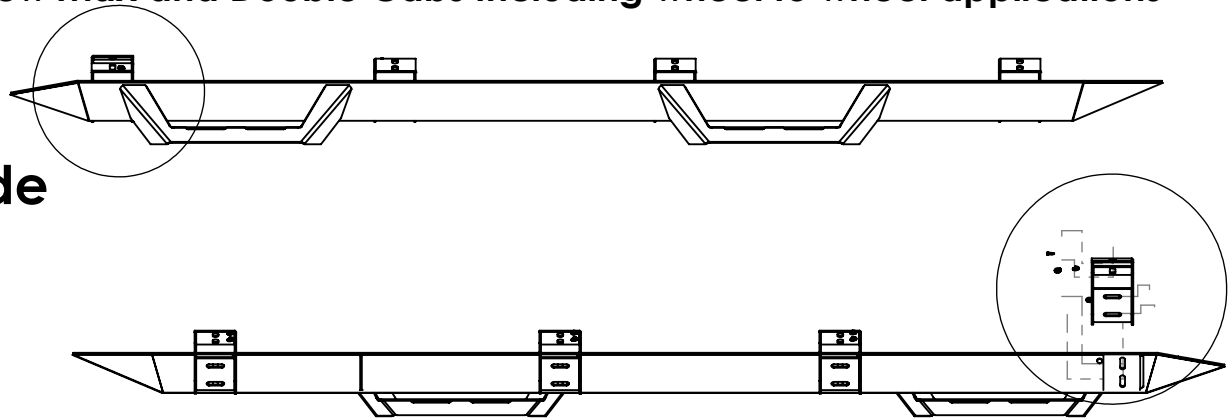
## Hardware Installed at ICI:

- (1) – 24 Button head Allen head bolt (M5-1.0x16mm SS) #200308878
- (2) – 24 Serrated hex head flanged nuts (M5-1.0 SS) #200391166

## Components List:

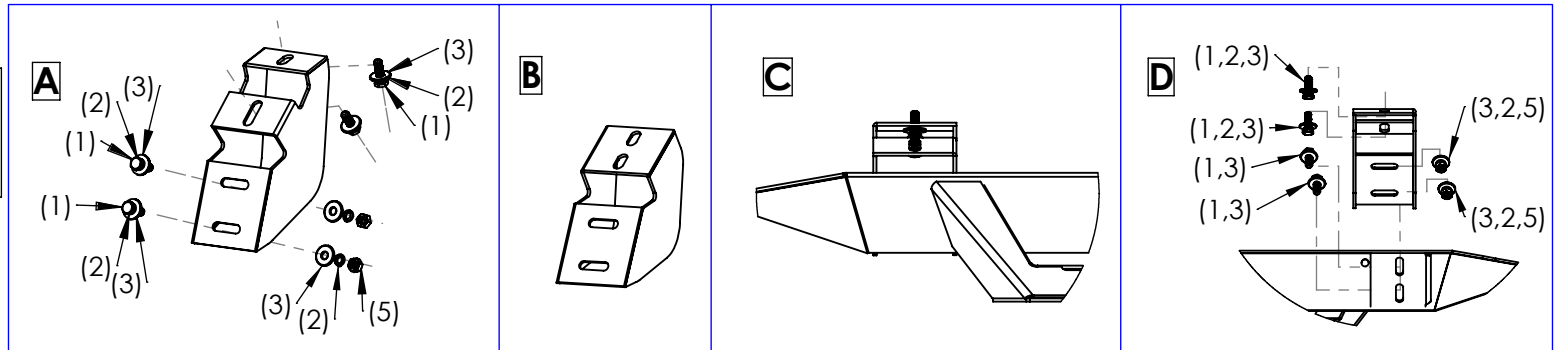
- (1) 2 – RT Steps (Driver & Passenger)
- (2) 2 – Front Mounting Brackets RTSPN006
- (3) 6 – Middle/Rear Mounting Brackets RTSPN005

## Driver Side Front



**LOOSE FIT ALL COMPONENTS. DO NOT TIGHTEN UNTIL ALL COMPONENTS ARE INSTALLED AND ADJUSTED.**

**DISCLAIMER: USE ONLY COMPONENTS AND HARDWARE SUPPLIED BY ICI. NO SUBSTITUTIONS.**



## Step by Step Installation Instructions

- STEP 1:** Read and understand instructions completely before beginning installation.
- STEP 2:** Remove all old steps and hardware from truck.
- STEP 3:** Locate the driver's side step (center of front foot step is 18" to front of bar). Each step uses 4 mounting brackets. The bracket closest to the front of the vehicle is shown in figure A, the other 3 brackets are shown in figure B. The brackets are not side specific.
- STEP 4:** On the underside of the rocker panel there are 4 mounting locations down the length of the cab with 2 threaded holes per location. Using provided M8x16mm hex head bolts, flat washers and lock washers, loose fit brackets to these locations.
- STEP 5:** Once all 4 brackets are loose fit to the truck, mount the RT Step to the brackets using provided M8x30mm hex head bolts, 2 flat washers per bolt, lock washers and nuts. See figures A, C and D.
- STEP 7:** Once RT Step is loose fit, tighten brackets to inside rocker to 20 ft/lbs (**DO NOT USE IMPACT TOOLS**). Next, adjust bar up/down and front/back then tighten step to brackets at 30 ft/lbs. Repeat for passenger side.