

RTS30/31/32DG

Hardware Kit Includes Loose:

- (1) 24 – Hex head bolts (M8-1.25 x 30mm) Grade 8.8
- (2) 18 – Hex head Nuts (M8-1.25) Grade 8.8
- (3) 30 – Lock washers (M8) Grade 8.8
- (4) 42 – Flat washers (M8) Grade 8.8
- (5) 4 – M8 Fender washers
- (6) 6 – M10-1.5 Hex head nuts Grade 8.8
- (7) 6 – M10 Flat washer Grade 8.8
- (8) 6 – M10 Lock washer Grade 8.8

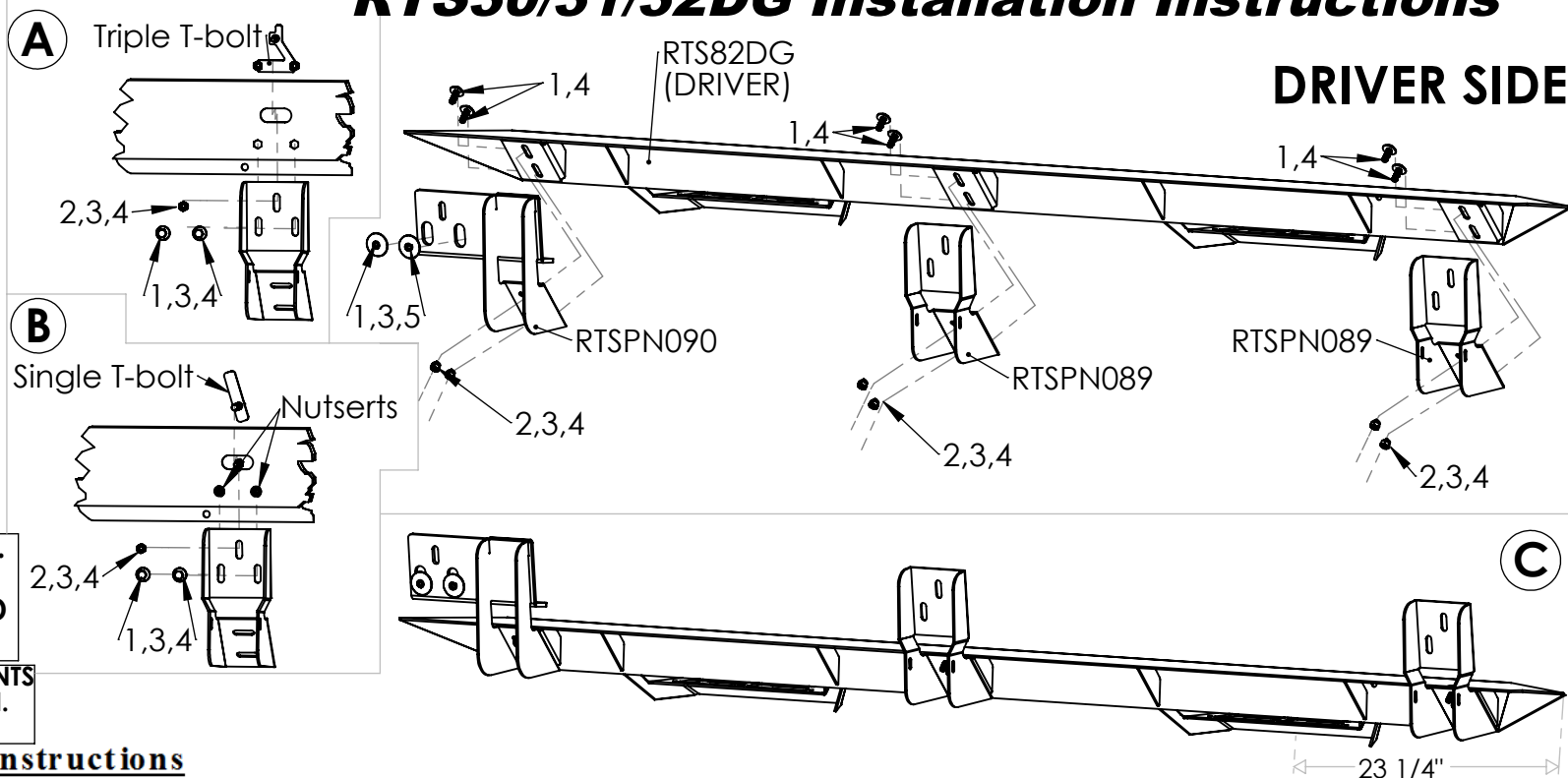
Components List:

- (1) – Driver/Passenger RT Steps
- (2) – (4) Front/Middle Mounting Brackets (RTSPN089)
- (3) – (2) Rear Mounting Brackets (RTSPN090)
- (4) – (6) M8-1.25 Triple T-bolt
- (5) – (6) M10-1.5 x 40mm Single T-bolts

**LOOSE FIT ALL COMPONENTS.
DO NOT TIGHTEN UNTIL ALL
COMPONENTS ARE INSTALLED
AND ADJUSTED.**

**DISCLAIMER: USE ONLY COMPONENTS
AND HARDWARE SUPPLIED BY ICI.
NO SUBSTITUTIONS.**

2016-17 Dodge Ram Crew/Quad/Mega Cabs With Wider Rocker Panel RTS30/31/32DG Installation Instructions



Step by Step Installation Instructions

- STEP 1:** Read and understand instructions completely before beginning installation.
- STEP 2:** Remove all factory step brackets and hardware. If your truck was equipped with factory steps and you have threaded Nutserts in the inside rocker panel, leave Nutserts in the panel.
- STEP 3:** Locate the driver's side step and rear bracket (the center of the front foot step is 23.25" from the front of the bar and the rear bracket points towards the front of the truck, see diagram C).
- STEP 4:** Using figures A & B, determine if your truck has the threaded Nutserts in the lower inside rocker panel or not. If your truck is equipped with them, then you will use the single t-bolt set up as shown in figure B in the top hole location. If your truck does not have the Nutserts, then use the triple t-bolt as shown in figure A. Once you have determined which t-bolt to use, insert t-bolts with supplied square plastic washers (put plastic washers on t-bolts before installing so they don't fall into rocker panel). Loose fit brackets to rocker panel using supplied hardware (see FIG A or B). On 2015 trucks with factory side steps, the Nutserts are larger and protrude out of the rocker panel 1/8", if you use the single t-bolt set up there is a 1/8" spacer provided to go between the RT Step brackets and the rocker panel so the bracket sits flush on the Nutserts. Refer to Page 2 for support strap installation.
- STEP 5:** Once brackets and support strap are loose fit to truck, loose fit RT Step to brackets using supplied hardware.
- STEP 6:** Once bar and brackets have been loose fit into position, adjust and tighten the brackets to rocker panel. If using factory Nutserts, tighten by hand and do not over tighten. If using triple t-bolt, fully tighten by hand and **Do not use impact tools.**
- STEP 7:** Next, adjust bar front/back and up/down then tighten RT step to brackets. Fully tighten hardware attaching the step to the brackets. **Do not use impact tools.** Repeat for passenger side.

RTS30/31/32/82/79/96DG

2015-2016 Dodge Ram 1500 Crew/Quad Cab 2015-2016 Dodge Ram 2500/3500 Crew/QuadCab/MegaCab RTS50/51/82/79/96DG Installation Instructions

Hardware Kit Includes Loose:

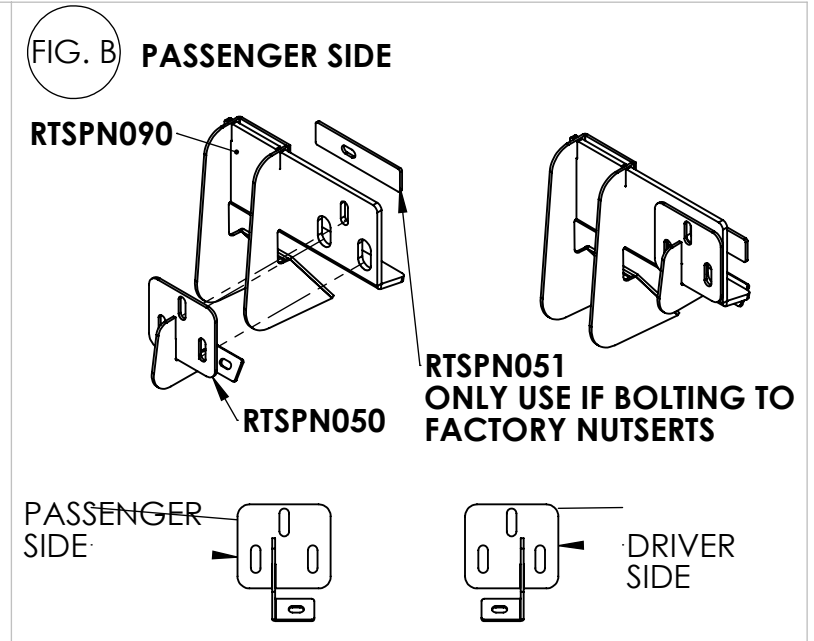
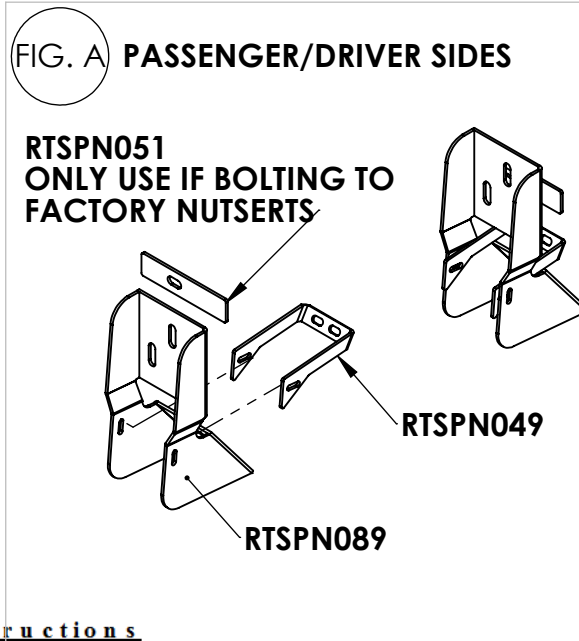
- (1) 8 – Hex head bolts (M6 x 20mm) Grade 8.8
- (2) 18 – Hex head Nuts (M6) Grade 8.8
- (3) 18 – Lock washers (M6) Grade 8.8
- (4) 36 – Flat washers (M6) Grade 8.8
- (5) 10 – Hex head bolts (M6 x 30mm)

Components List:

- (1) – (4) Front/Middle Support Brackets (RTSPN049)
- (2) – (2) Rear Support Brackets (RTSPN050)
- (3) – (6) Spacers (RTSPN051)

**LOOSE FIT ALL COMPONENTS.
DO NOT TIGHTEN UNTIL ALL
COMPONENTS ARE INSTALLED
AND ADJUSTED.**

**DISCLAIMER: USE ONLY COMPONENTS
AND HARDWARE SUPPLIED BY ICI.
NO SUBSTITUTIONS.**



Step by Step Installation Instructions

- STEP 1:** On some model 2015 and later Ram trucks there are pre-drilled holes in the pinch weld along the bottom of the cab. RTSPN049 attaches to these holes and to RT Step bracket RTSPN015. (Brackets may be added to earlier models if so desired by drilling into the pinch weld area).
- STEP 2:** Using provided 6mm hardware attach RTSPN015 to each of the RTSPN049 brackets and the holes in the pinch weld of the cab. Fully tighten all hardware. See FIG. A.
- STEP 3:** On 2015 Ram trucks: if the truck came with factory side steps and you are reusing the factory Nutserts, there is a provided 1/8" spacer (RTSPN051) so the RT Step brackets sit flush on the factory Nutserts. See FIG. A and FIG. B.
- STEP 4:** Attach rear support strap using provided t-bolt (RTSPN070). Under the bed of the truck towards the front of the bed is a bed floor support cross member with a round hole. Feed the provided t-bolt through the end of the cross member and into the hole as shown in FIG. B. Attach adapter (RTSPN065) to t-bolt using provide 3/8" nut and tighten to 30 ft/lbs. Attach isolator to adapter (RTSPN065) and strap (RTSPN072) using provided binding bolts. Finally, attach strap (RTSPN072) to RT Step using provided 8mm hardware. Make sure the strap is pulled tightly before tightening to RT Step.

NOTE * On any Dodge Ram truck that does not have the holes in the pinch weld area, you may drill these holes using a 1/4" drill bit. This is not required but will significantly reduce the flex in the RT Steps.

2015 1/2-2016 RAM PICKUPS

Driver side front factory reinforcement bracket attached to the inside rocker area must be removed prior to installing RT Step brackets. Remove all three factory mounting bolts and wire harness held in place plastic retaining clips and remove bracket completely from vehicle. The new RT Step pinch weld brackets will serve as the reinforcement to the rocker panel.

