



# Installation Instructions Premium Plate Front Bumper

Product Number: F3751, F3752  
Application: 2016+ Nissan Titan XD

## SAFETY

**Your safety and the safety of others is very important.**

- In order to help you make informed decisions about safety, we have provided installation instructions and other information.
- These instructions alert you to potential injury hazards.
- Please do a job safety analysis before each task to identify potential hazards for your situation and remove/protect against them.
- You must use your own good judgment.
- Read and understand all safety precautions and instructions before installing this product.

**THIS PRODUCT IS FOR OFFROAD USE ONLY. ALL LIABILITY FOR  
INSTALLATION AND USE RESTS WITH THE OWNER.  
CARELESS INSTALLATION AND OPERATION CAN RESULT IN SERIOUS  
INJURY OR EQUIPMENT DAMAGE.  
SENSORS FIELD OF VIEW WILL BE ALTERED WITH USE OF THE  
REPLACEMENT BUMPER.**

## Injury hazard

**Failure to observe these instructions could lead to severe injury or death.**

- Always remove jewelry and wear eye protection.
- Always use extreme caution when jacking up a vehicle for work. Set emergency brake and use tire blocks. Locate and use the vehicle manufacturers designated lifting points. Use jack stands.
- Always use appropriate and adequate care in lifting components into place.
- Always insure components will remain secure during installation and operation.
- Always wear safety glasses when installing this kit. A drilling operation will cause flying metal chips. Flying chips can cause serious eye injury.
- Always use extreme caution when drilling on a vehicle. Thoroughly inspect the area to be drilled (on both sides of material) prior to drilling, and relocate any objects that may be damaged.
- Always use extreme caution when cutting and trimming during fitting.
- Always tighten all nuts and bolts securely per installation instructions.
- Always route electrical cables carefully. Avoid moving parts, components that become hot and rough or sharp edges.
- Always insulate and protect all exposed wiring and electrical terminals.
- Always perform regular inspections and maintenance on mounts and related hardware.





# Installation Instructions

## Premium Plate Front Bumper

Product Number: F3751, F3752  
Application: 2016+ Nissan Titan XD

### I. Overview

Congratulations on your new purchase of the industries' best and most stylish front bumper available for the 2016+ Nissan Titan XD. This bumper has been designed for strength and style while keeping weight to a minimum.

Your front bumper designed in 3-D from digitized data, CNC laser cut, fabricated, and powder coated... all in the U.S.A.

Enjoy the fit and finish of a quality Premium Plate Nissan Titan XD Front Bumper from Fab Fours Inc.





# Installation Instructions

## Premium Plate Front Bumper

Product Number: F3751, F3752  
Application: 2016+ Nissan Titan XD

### Parts List

- F375X Replacement Bumper
- Instruction Manual
- Epoxy
- Fog Lights
- Wiring
- Light Bezels
- Bolt strips

### Tools Required

- Socket Wrench with Extension (Ratcheting wrenches may also be convenient)
- 10mm, 12mm, 14mm, 17mm, and 3/4" Sockets and Box End Wrenches
- Flat head screw drivers
- Floor jack, jack stands, and/or a wood block.

## II. Removal of OEM Bumper

**Note: Save all OEM parts until installation is complete!**

1. *Disconnect factory fog lamps and the sensor harness if equipped from the passenger side.*
2. *Remove 1 10mm bolt and Christmas tree clip from the lower bolt covers on both sides.*





# Installation Instructions

## Premium Plate Front Bumper

Product Number: F3751, F3752  
Application: 2016+ Nissan Titan XD

3. *Remove center sensor mounting plates (may not contain sensor depending on trim level). If equipped with sensor unplug them from the harness*



4. *Remove 2 12mm bolts connecting the side bumper supports to the frame.*







## Installation Instructions Premium Plate Front Bumper

Product Number: F3751, F3752  
Application: 2016+ Nissan Titan XD

5. *While supporting the bumper, unscrew the main bumper mounting bolts (3 per side) using a 14mm socket from the front face of the bumper and remove the bumper.*





# Installation Instructions

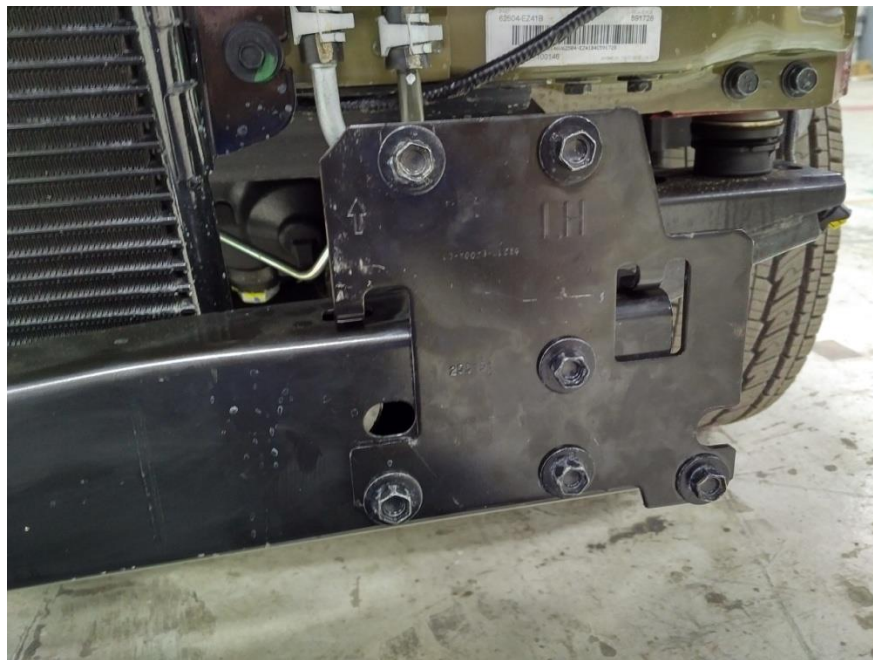
## Premium Plate Front Bumper

Product Number: F3751, F3752  
Application: 2016+ Nissan Titan XD

6. ***Remove the tow hooks using a 17mm socket or wrench.***



7. ***Remove the bumper mount brackets from both frame rails using a 14mm socket. Save this hardware for later use.***



8. ***Remove OEM electrical harness from bumper. Disconnect harness from sensors. Pop out plastic clip holding harness to bumper on both side and carefully pull away.***





## Installation Instructions Premium Plate Front Bumper

Product Number: F3751, F3752  
Application: 2016+ Nissan Titan XD

9. *Using a Phillips head screwdriver, remove 5 bolts per fender flare. Peel back slowly and carefully from tape and remove. Using a plastic tool designed for this may help, but is not necessary.*



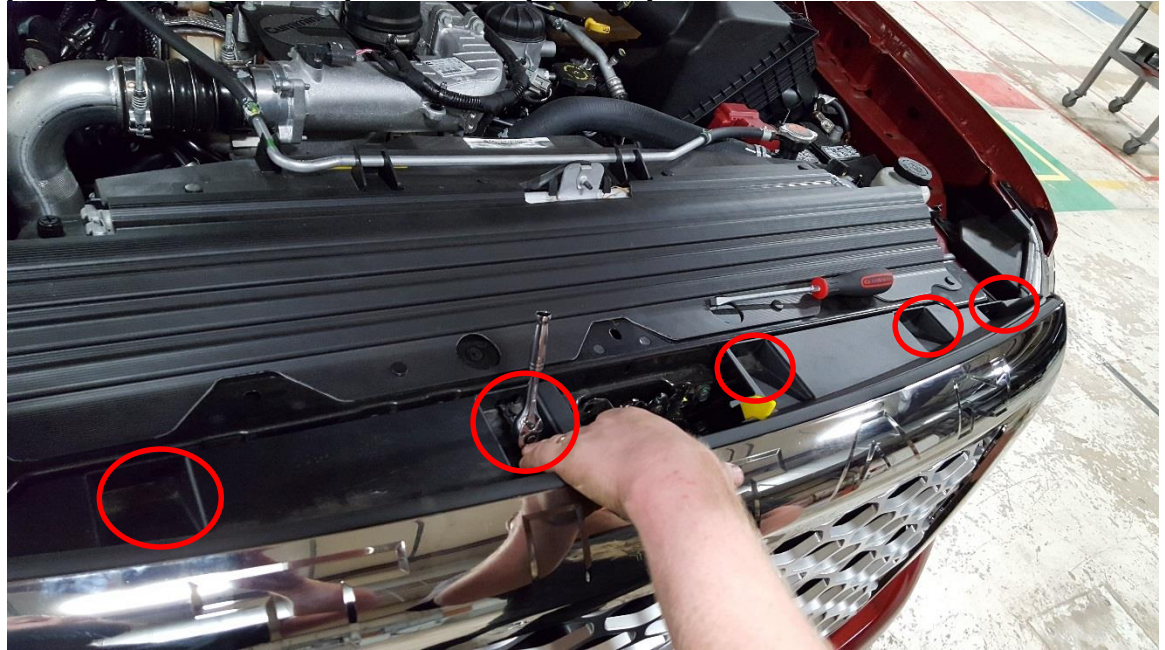




## Installation Instructions Premium Plate Front Bumper

Product Number: F3751, F3752  
Application: 2016+ Nissan Titan XD

10. Using a flat head screwdriver, remove the 10 clips holding the grill to the truck. They can be removed by rotating the clip 90° and pulling. There are 6 clips on the top and 2 per side.

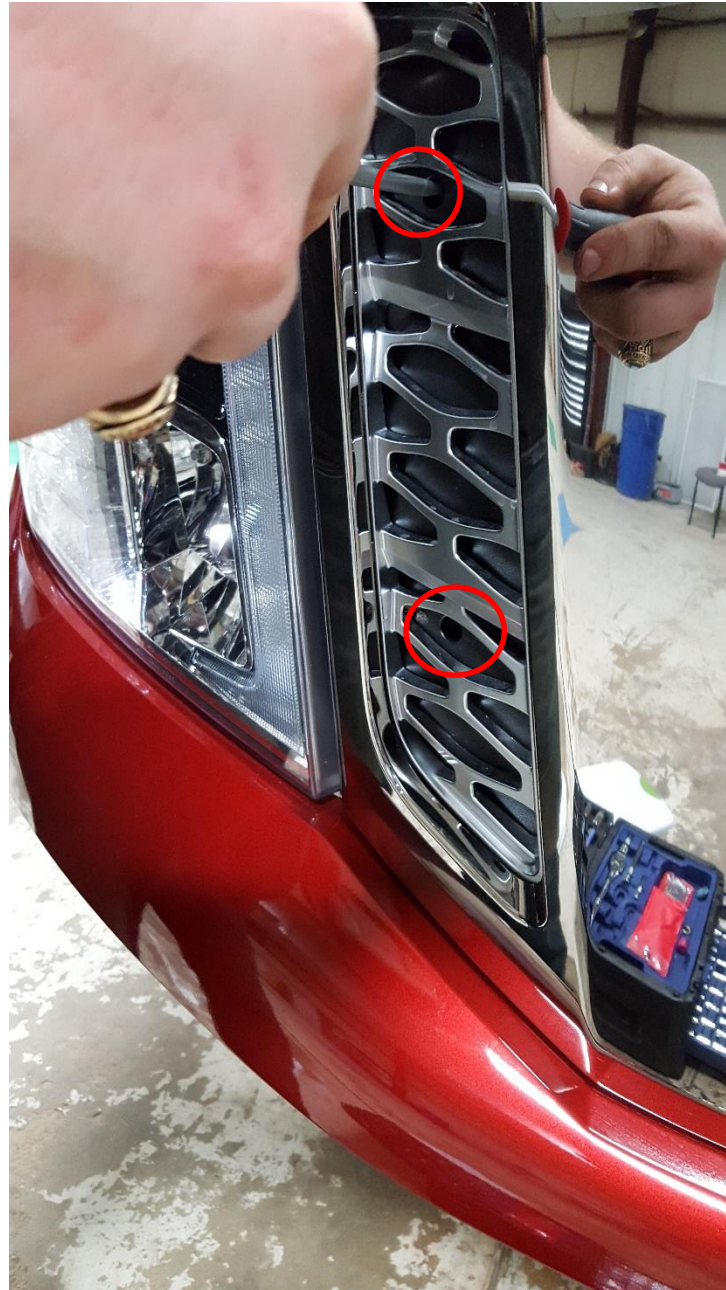






## Installation Instructions Premium Plate Front Bumper

Product Number: F3751, F3752  
Application: 2016+ Nissan Titan XD



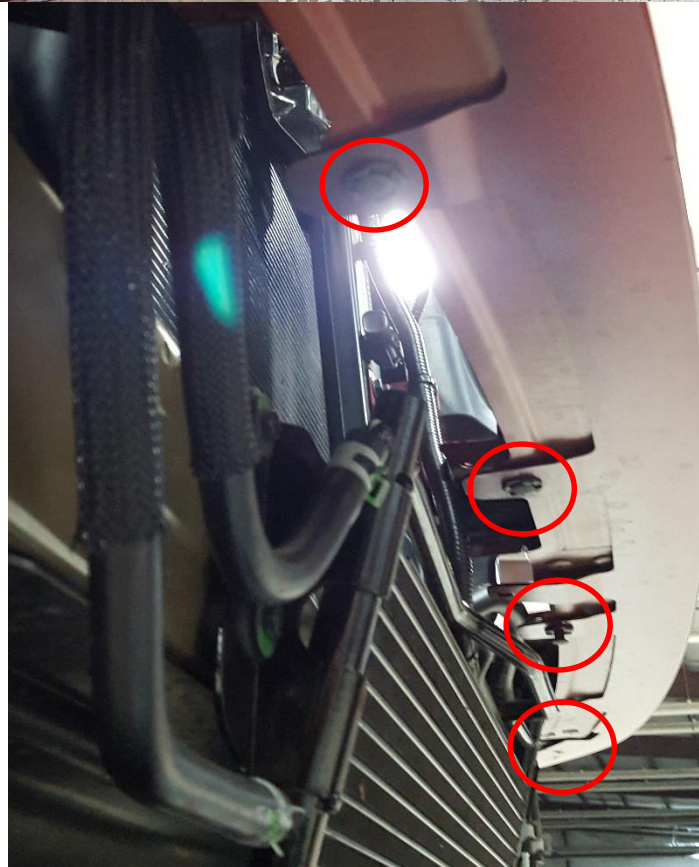
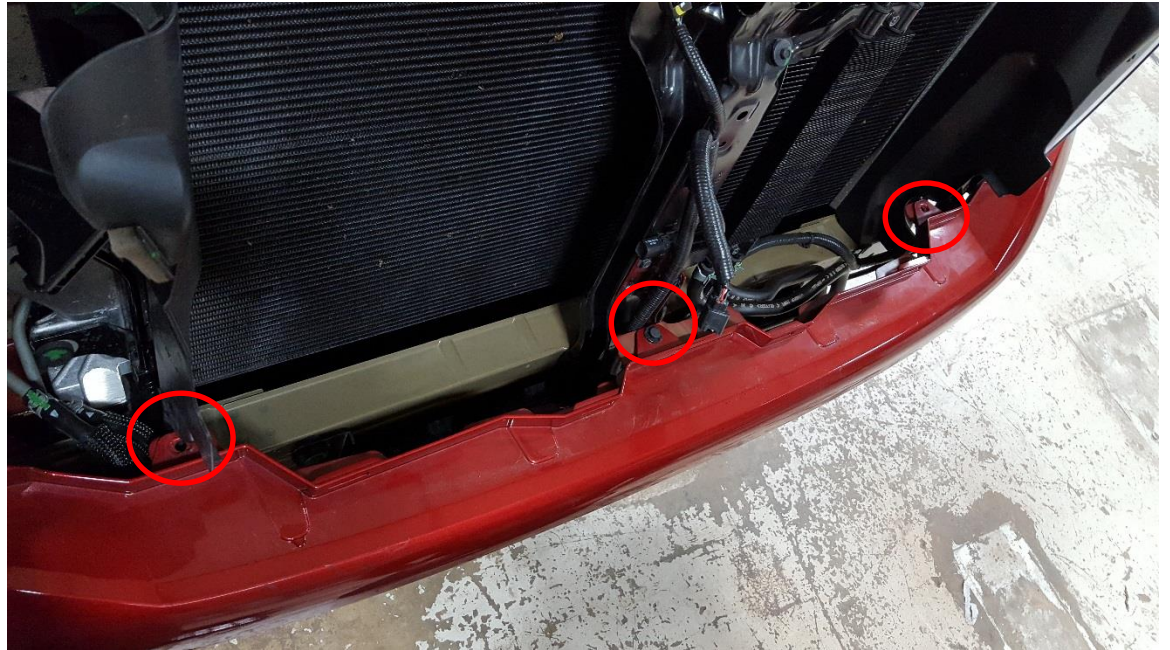
11. ***Before removing grill, disconnect the front camera harness (if applicable)***
12. ***Push center of grill tabs up (6 tabs) by reaching down through the top of the engine bay to remove grill.***
13. ***Remove 3 top pins and 4 bottom pins on valance with a flat head screw driver.***





# Installation Instructions Premium Plate Front Bumper

Product Number: F3751, F3752  
Application: 2016+ Nissan Titan XD







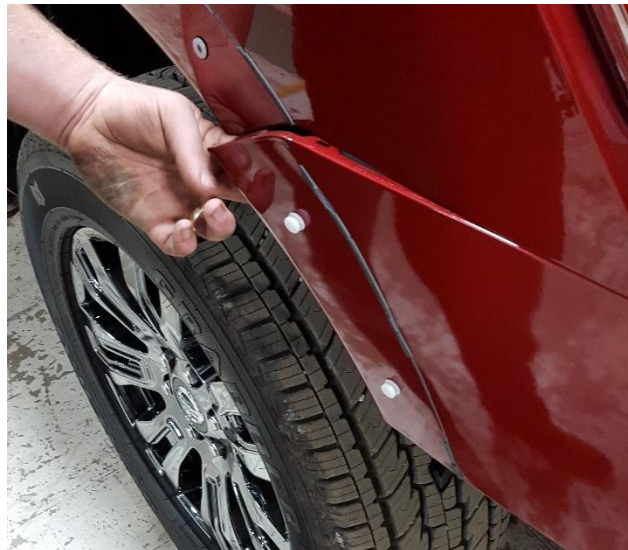
## Installation Instructions Premium Plate Front Bumper

Product Number: F3751, F3752  
Application: 2016+ Nissan Titan XD

14. *Remove lower fender lining screw and peel back lining to expose 10mm bolt. Remove this bolt.*



15. *Carefully pull form outside of fender to release clips and remove valance.*



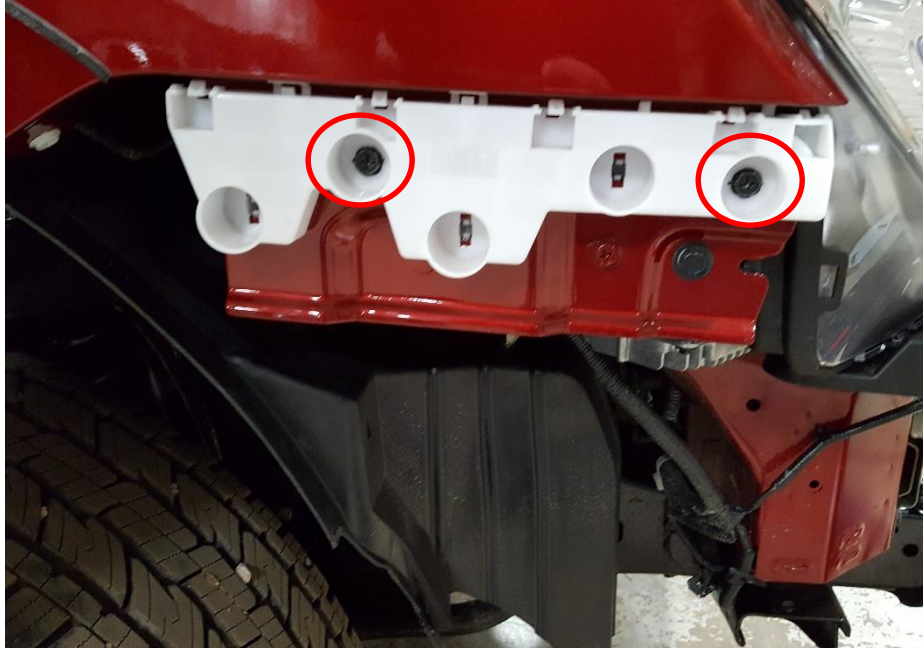




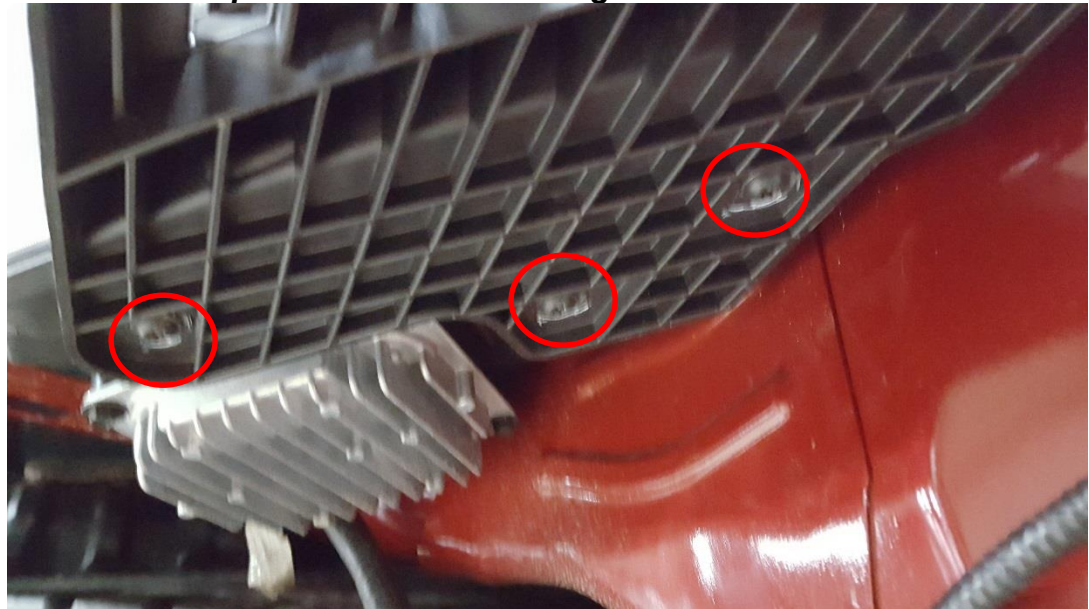
## Installation Instructions Premium Plate Front Bumper

Product Number: F3751, F3752  
Application: 2016+ Nissan Titan XD

16. Using a 10mm socket, remove the bolts (2 on one side, 3 on the other) holding the white plastic pieces to the fenders. Pull gently to release clips.



17. Remove black plastic below the headlights with a T20 Torx bit.

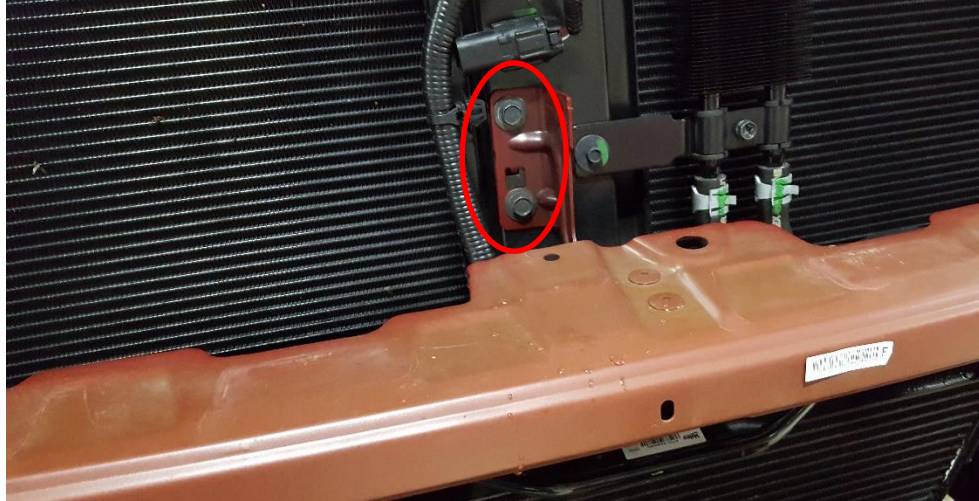




## Installation Instructions Premium Plate Front Bumper

Product Number: F3751, F3752  
Application: 2016+ Nissan Titan XD

18. Remove center bar below the grill with a 10mm socket (6 bolts).



19. Reattach grill to truck. The pins must be installed into the grill before pressing into the truck.

### III. Pre-Installation

**NOTE: PLEASE READ THE ENTIRE MANUAL BEFORE ATTEMPTING INSTALLATION! Ignoring these steps will increase your probability of scratching the vehicle during product installation.**

A. Remove the bumper from the shipping carton. Lay all items out on a blanket to prevent damage to the powder coating.

B. Remove the sensors and sensor housings from your stock bumper. The sensors are removed by pressing outward on the tabs of the sensor housing (see below) and pulling away from the bumper. The sensor housing is then removed by pressing the two clips on the outside of the housing and pushing through the front of the bumper.





## Installation Instructions Premium Plate Front Bumper

Product Number: F3751, F3752  
Application: 2016+ Nissan Titan XD

***C. Insert your stock housing into your Fab Fours bumper. The OEM sensors will stay in their factory orientation; the center sensors stay in the center and the outer sensors stay on the outside. The outer sensors will now be angled upwards. Failure to insert these properly may result in errors with the parking assist features of your truck.***







## Installation Instructions Premium Plate Front Bumper

Product Number: F3751, F3752  
Application: 2016+ Nissan Titan XD



***D. After ensuring sensors work in the current orientation, epoxy should be applied to the housing on the inside of the bumper and allowed to dry.***

***E. If you have a winch, install it now using the manufacturer's instructions.***

***F. Lights may be installed at this time. The fog light extension must be used and directly wires to the factory***

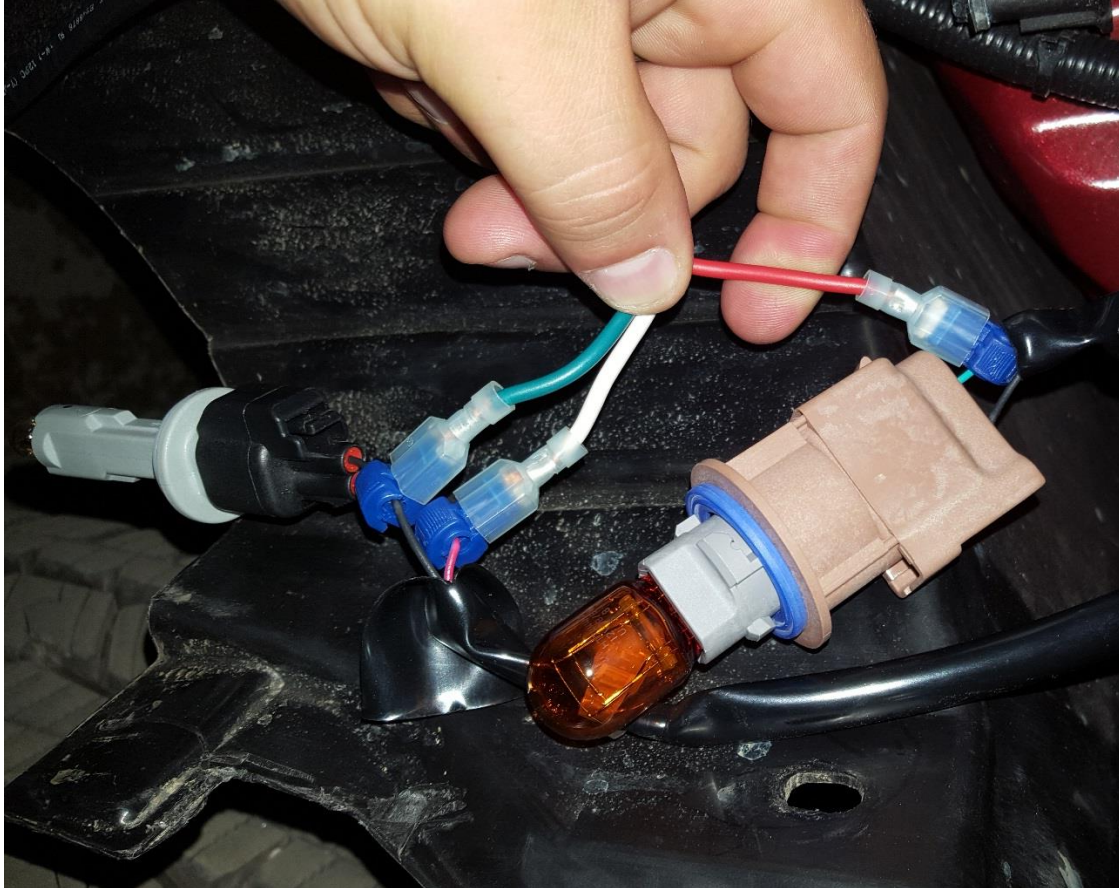




## Installation Instructions Premium Plate Front Bumper

Product Number: F3751, F3752  
Application: 2016+ Nissan Titan XD

*harness. Use the picture below for reference on the turn signals but test with a test light or voltmeter before wiring.*

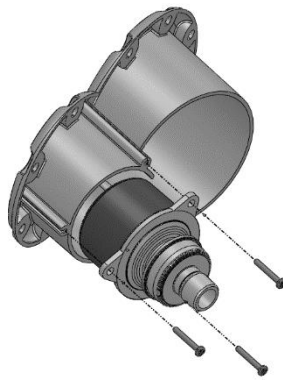




## Installation Instructions Premium Plate Front Bumper

Product Number: F3751, F3752  
Application: 2016+ Nissan Titan XD

- G.** *The fog light wiring may be installed at this time. To do so, connect wiring to fog light and tap into OEM fog light wiring using supplied tap connectors. Secure excess wiring to bumper.*
- H.** *Install turn indicators into the plastic light insert using three self-tapping screws as shown below:*



- I.** *Install the light inserts with turn indicators into the cutout in the bumper. Use the  $\frac{3}{4}$ " length  $\frac{1}{4}$ " stainless steel button head,  $\frac{1}{4}$ " washers and hex nuts to fasten the insert through the holes shown below:*

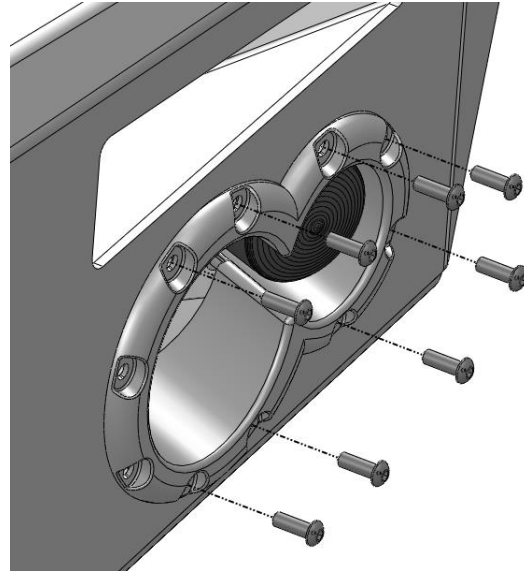




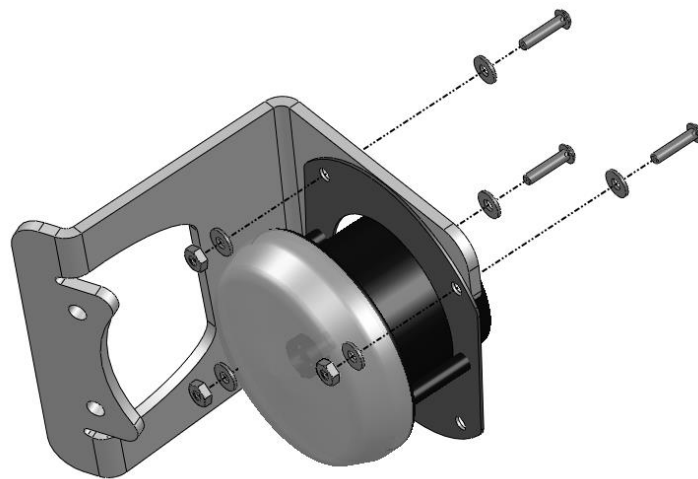


# Installation Instructions Premium Plate Front Bumper

Product Number: F3751, F3752  
Application: 2016+ Nissan Titan XD



- J. Install the Fab Fours fog lights onto the mounting brackets as shown below using the #8 button head screws, washers, and hex nuts.**



- K. Install the fog light and bracket into the bumper using the remaining two holes available in the light insert. Use the 1-1/2" length 1/4" stainless steel button heads with 1/4" washers and nuts.**

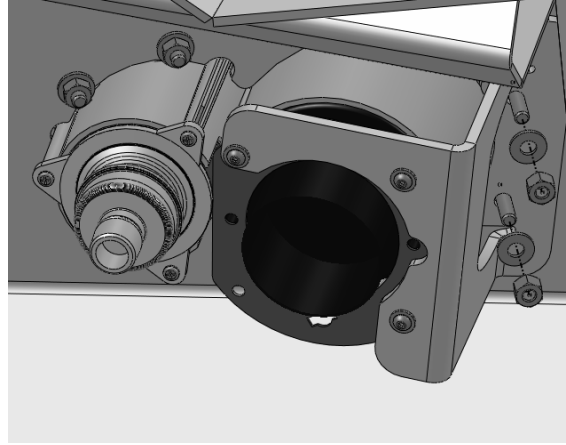




# Installation Instructions

## Premium Plate Front Bumper

Product Number: F3751, F3752  
Application: 2016+ Nissan Titan XD



- L. Secure OEM electrical harness to the Fab Fours bumper.**
- M. Repeat steps A through F for other side.**





# Installation Instructions

## Premium Plate Front Bumper

Product Number: F3751, F3752  
Application: 2016+ Nissan Titan XD

### IV. Front Bumper Installation

**A. Mount the brackets to the truck using OEM hardware. Do not tighten at this time as the brackets have side to side adjustment.**



**B. Using the help of at least two other people and a possibly a floor jack, install the Fab Fours bumper.**

**C. Align the bumper top-to-bottom and right-to-left to ensure a perfect fit to the truck. Allow clearance to all painted surfaces; this is to allow for frame flex. FAB**







## Installation Instructions Premium Plate Front Bumper

Product Number: F3751, F3752  
Application: 2016+ Nissan Titan XD

***FOURS RECOMMENDS ATLEAST 5/8" CLEARANCE TO  
FENDERS.***

***D. Fully tighten all fasteners.***

***E. Enjoy your new front replacement bumper from Fab  
Fours!***





# Installation Instructions Premium Plate Front Bumper

Product Number: F3751, F3752  
Application: 2016+ Nissan Titan XD

## V. Maintenance/Care

- Periodically check and tighten all fasteners.
- Stripped, fractured, or bent bolts or nuts need to be replaced.
- After washing of the vehicle make sure to fully dry all surfaces

## Contact Information

Fab Fours Inc.  
2213 Industrial Park Road  
Lancaster, SC 29720

Phone (866)-385-1905  
Fax (866)-574-1424  
Email [Support@fabfours.com](mailto:Support@fabfours.com)



**More than expected... Better than expected.**

