



Installation Instructions

**Freedom Series (non-winch mount)
2021-2022 Ram 1500 TRX**



Where STRENGTH Meets *Style!*™

SAFETY

THE SAFETY OF YOU AND OTHERS IS VERY IMPORTANT TO US!

In order to minimize this risk and make an informed decision about safety, it is important that you carefully read and follow the installation instructions we have provided.

We urge you to use your own good judgment and allow plenty of time for install.

HAZARD CHECKLIST

1. Always wear personal protective equipment (PPE) such as: protective eye wear, gloves, close toed shoes, etc.
2. We recommend that you use a certified mechanic or shop for professional installation.
3. Always set emergency brakes on vehicle and use tire blocks to ensure vehicle stabilization.
4. Use caution when lifting, we recommend the use of equipment to help lift bumpers into place.
5. Use caution when using power tools such as air ratchet, etc.
6. Take caution when installing wiring.
7. Perform regular inspections of hardware, bolts, brackets, etc.
8. Rigid light brackets are specifically designed to fit Rigid lights, we do not guarantee off brand fitment.
9. Our winch mount is designed for Warn and Superwinch products. We do not guarantee off brand fitment.

USE & RISK

Bodyguard Products LLC is not responsible for damage to our products, or other subsequent damage that might occur, as a result of misuse or improper installation. While we do manufacture products that appear stronger than factory parts, our products should not be viewed or relied upon as life-saving devices in the event of a collision or rollover. We make no claims relating to airbag compatibility, crashworthiness, or sturdiness. It is the customer's responsibility to check with the vehicle manufacturer or auto dealer regarding airbag compatibility and automobile manufacturer's warranty before installing our products.



Installation Instructions

Freedom Series (non-winch mount) 2021-2022 Ram 1500 TRX

PREPARATION

- Ensure personal safety by checking for hazards and identifying risks.
- Check for correct hardware.
- Check for tools needed.
- Use either foam or tape on fenders to prevent scratches to the truck when installing your bumper.
- Please allow approximately 3-4 hours for installation.

Hardware Kit

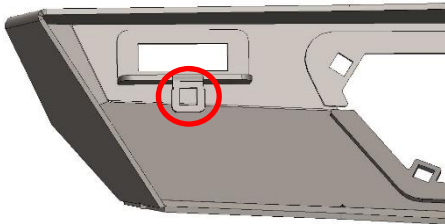
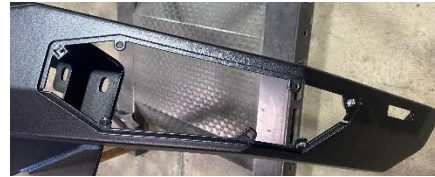
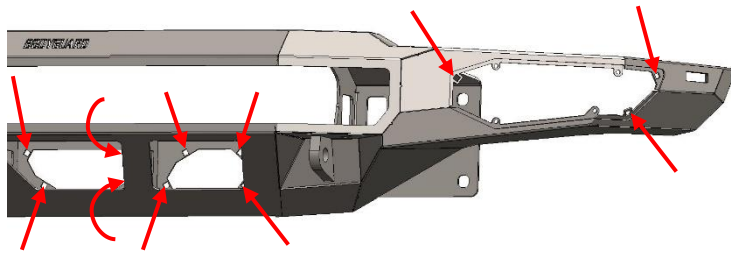
21+ Ram TRX Front Bumper		
	Front Bumper 21+ Ram TRX	Qty
FR-HK-FD21T	1/4" -20 x 3/4" Long, Stainless Steel SBHCS	88
	1/4" -20 Stainless Steel SBHCS Grade 8 Serrated Hex Flange Nut	26
	1/4-20 (.093-.126: Panel Range) Zinc Electroplate Spring Steel Cage Nut	62
	5/16"-18 x 1" Long, Stainless Steel SBHCS	6
	5/16"-18, Flange nut	6
	5/16", Washer	6
	7/16"-14 x 1-1/4" Yellow Zinc Grade 8 Bolt	7
	7/16 Washer, Grade 8 Zinc-Yellow	7
	7/16-14 Grade 8 Steel Serrated Flange Nut Zinc	7

BUMPER REMOVAL

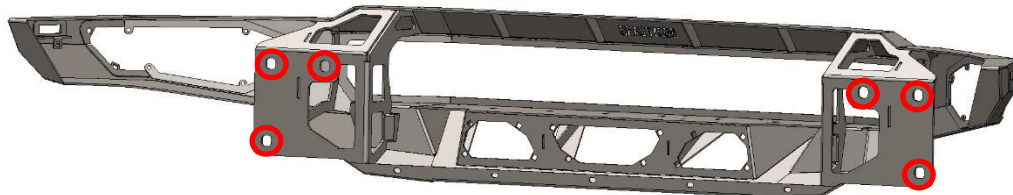
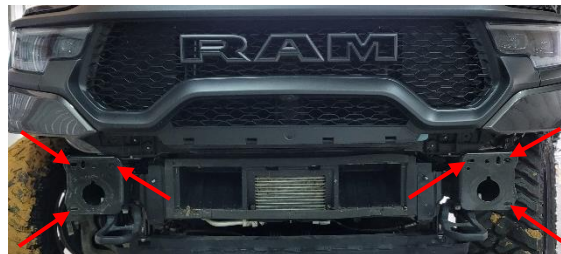
1. Disconnect your battery. Remove fender liner trim bolts attached to the front bumper on both sides of the vehicle.
2. Remove splash guard fender lining on both sides of the vehicle.
3. Unplug the main front bumper harness from the driver side fender well. (Once the plug is unplugged, do not start your vehicle as it may result in error codes that may need factory reset)
4. Remove the factory skid plate.
5. Remove the frame nuts from both sides of the vehicle.
6. Carefully remove the front bumper.
7. Remove the front harness from the bumper.
8. Remove all front parking sensors and side marker lights.

BUMPER INSTALL

1. Install 1/4"-20 cage nuts in all square holes on the bumper and on the center mesh mounting brackets. Cage nuts should be installed from the backside of the bumper. Next, install the center mesh mounting brackets on the bumper using 1/4"-20 hardware.



2. Carefully place the bumper up to the frame and fasten using 7/16"-14 hardware. Adjust fitment vertically and horizontally, then tighten all hardware.

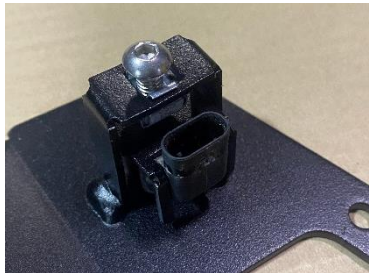
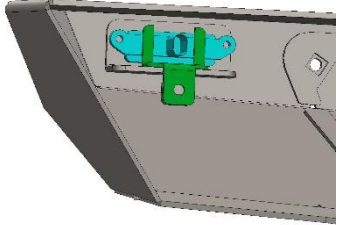


Installation Instructions

Freedom Series (non-winch mount)

2021-2022 Ram 1500 TRX

3. Run the factory harness through the bumper allowing for sensor plugs to position accordingly. Install the side markers at this time. Next, install 1/4"-20 cage nuts into the parking sensor plates and center mesh. (Images below are example sensor plates and center mesh). Then slip the sensor tab over the sensor, with the tabs fitting around the plug (Image below shows sensor installed on plate). Slide the sensor and sensor tab into position and tighten down with a 1/4"-20 x 3/4" SBHCS. Do not over tighten. Set the plates and sensors aside.



Note: Do not over tighten sensors. If sensors are not working properly, use CRC Dielectric grease PN#05113 on all sensors and main harness plug.



4. Install 1/4"-20 cage nuts into the fog light buckets. Next, install fog light pods onto the fog light buckets if applicable, then install the fog light buckets onto the bumper along with the sensor plate for the fog lights using 1/4"-20 x 3/4" hardware. Be sure to plug in the sensor to the harness before fastening to bumper.

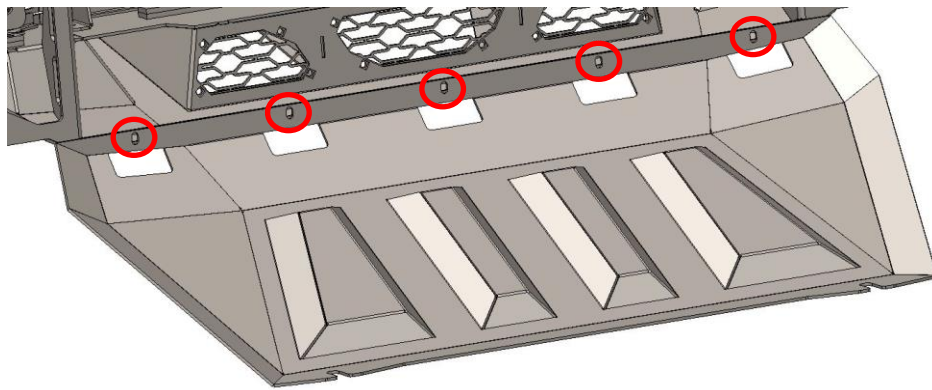


Installation Instructions

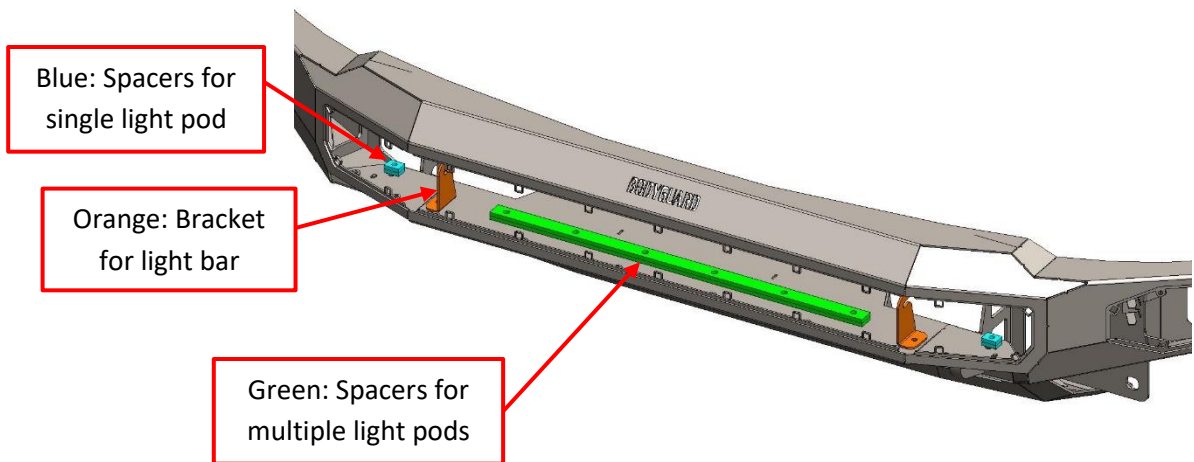
Freedom Series (non-winch mount)

2021-2022 Ram 1500 TRX

5. Install the 2x factory skid plate hardware loosely and slide the skid plate onto the bolts. Align the skid plate with the bumper and affix to the bumper using 5/16"-18 hardware. After installing the 5/16"-18 hardware, tighten all skid plate hardware.



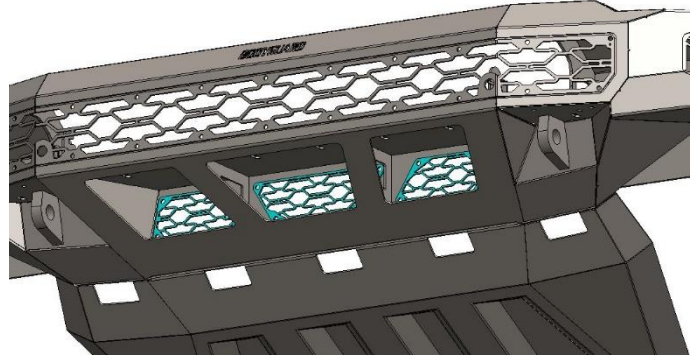
6. If applicable, install light bar with the light bar brackets, or light pods with the spacers in the positions indicated.



Installation Instructions

Freedom Series (non-winch mount) 2021-2022 Ram 1500 TRX

7. Plug the sensors into the harness on the front mesh and install to the bumper. Then install using 1/4"-20 x 3/4" hardware along with the mesh plates.



NOTE: If front license plate is required, optional front license plate bracket will need to be purchased with this bumper.

FINISHING UP

- Install shackles.
- Confirm that all hardware is tightened and everything is secure.
- Secure wiring harnesses for lights and sensors.
- Test all lighting and wiring before using vehicle (fog lights, sensors, etc.).

MAINTENANCE

- Frequently check that all hardware is tightened and that all wiring and connections are secure.

FEEDBACK

We'd love to hear from you! Please send your pictures, testimonials, comments, or suggestions to us by email at info@bodyguardbumpers.com. We frequently use customer pictures for brochures and marketing materials, and we always welcome customer feedback to ensure quality improvements within our company. Thanks for your purchase; we appreciate your business very much!

Where STRENGTH Meets *Style!*™