

# Installation Instructions

**Freedom Series – Rear  
2021-2022 Ram 1500 TRX**



**Where STRENGTH Meets *Style!*™**

## SAFETY

### THE SAFETY OF YOU AND OTHERS IS VERY IMPORTANT TO US!

In order to minimize this risk and make an informed decision about safety, it is important that you carefully read and follow the installation instructions we have provided.

We urge you to use your own good judgment and allow plenty of time for install.

## HAZARD CHECKLIST

- Always wear personal protective equipment (PPE) such as: protective eye wear, gloves, close toed shoes, etc.
- We recommend that you use a certified mechanic or shop for professional installation.
- Always set emergency brakes on vehicle and use tire blocks to ensure vehicle stabilization.
- Use caution when lifting, we recommend the use of equipment to help lift bumpers into place.
- Use caution when using power tools such as air ratchet, etc.
- Take caution when installing wiring.
- Perform regular inspections of hardware, bolts, brackets, etc.
- Rigid light brackets are specifically designed to fit Rigid lights, we do not guarantee off brand fitment.
- Our winch mount is designed for Warn and Superwinch products. We do not guarantee off brand fitment.

## USE & RISK

Bodyguard Products LLC is not responsible for damage to our products, or other subsequent damage that might occur, as a result of misuse or improper installation. While we do manufacture products that appear stronger than factory parts, our products should not be viewed or relied upon as life-saving devices in the event of a collision or rollover. We make no claims relating to airbag compatibility, crashworthiness, or sturdiness. It is the customer's responsibility to check with the vehicle manufacturer or auto dealer regarding airbag compatibility and automobile manufacturer's warranty before installing our products.

# Installation Instructions

## Freedom Series – Rear 2021-2022 Ram 1500 TRX

### PREPARATION

- Ensure personal safety by checking for hazards and identifying risks.
- Check for correct hardware.
- Check for tools needed.
- Use either foam or tape on fenders to prevent scratches to the truck when installing your bumper.
- Please allow approximately 2-3 hours for installation.

### PARTS LIST

DO NOT SUBSTITUTE OR USE ANY OTHER HARDWARE.

- Included with this product should be HARDWARE KIT:

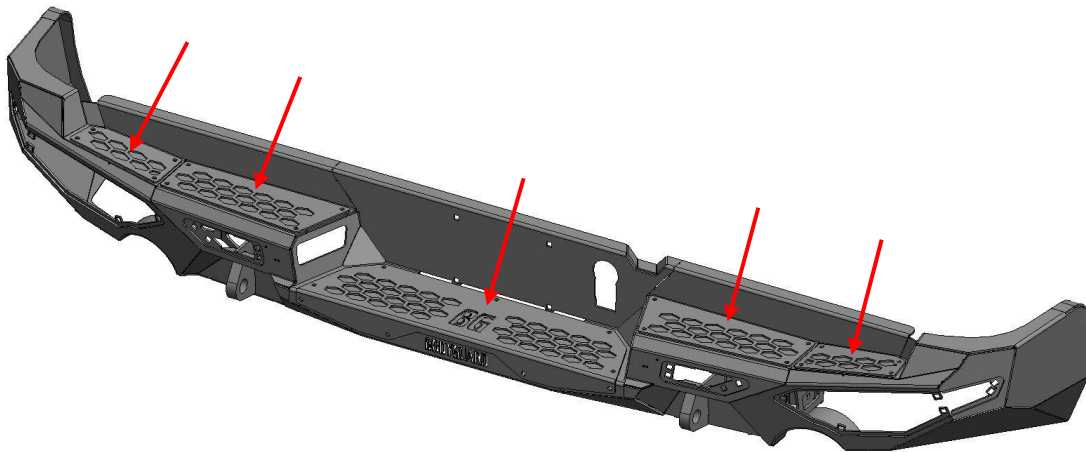
21+ Ram TRX Rear Bumper		
	Front Bumper 21+ Ram TRX	Qty
RB-HK-FD21T	1/4" -20 x 3/4" Long, Stainless Steel SBHCS	55
	1/4" -20 Stainless Steel SBHCS Grade 8 Serrated Hex Flange Nut	12
	1/4-20 (.093-.126: Panel Range) Zinc Electroplate Spring Steel Cage Nut	53
	1/4" Yellow Zinc Grade 8 Flat Washer	5
	5/16"-18 x 1" Long, Stainless Steel SBHCS	3
	5/16"-18, Flange nut	3
	5/16", Washer	3
	7/16"-14 x 1-1/4" Yellow Zinc Grade 8 Bolt	5
	7/16 Washer, Grade 8 Zinc-Yellow	5
	7/16-14 Grade 8 Steel Serrated Flange Nut Zinc	5

### BUMPER REMOVAL

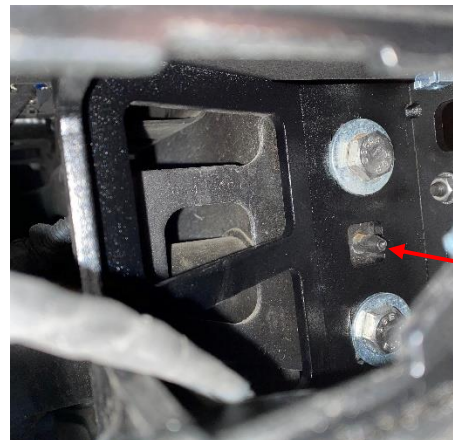
1. Unplug your battery.
2. Unplug your main rear bumper harness from underneath the driver side of the vehicle.
3. Unplug your trailer plug from the backside of the bumper.
4. Remove the two plastic lips located behind your license plate.
5. Some vehicle models will have a bolt on the base of your license plate box. Remove if applicable.
6. From the back, remove the 2 frame nuts on each side to free the bumper from the truck.
7. Once bumper is removed, remove the harness and everything that is associated with the harness from the bumper. (I.e., sensors, tag lights)

### BUMPER INSTALLATION

1. Install 1/4"-20 cage nuts in all the square holes in the bumper. Then install all 5 step pad bolt in plates using the 1/4" – 20 x 3/4" Long BHCS. Cage nuts or serrated flange nuts can be used to mount license plate.



1. Carefully place the bumper up to the frame and fasten using the 7/16"-14 hardware. Adjust the bumper fitment and tighten all hardware.

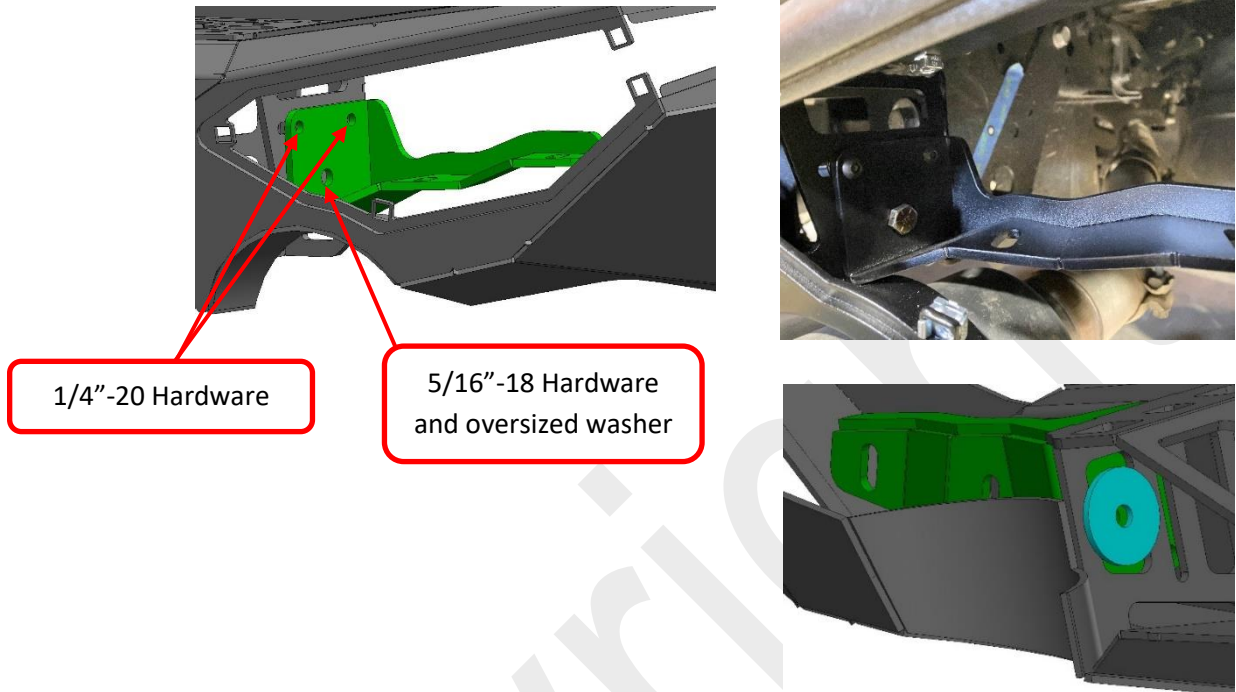


Frame alignment pin

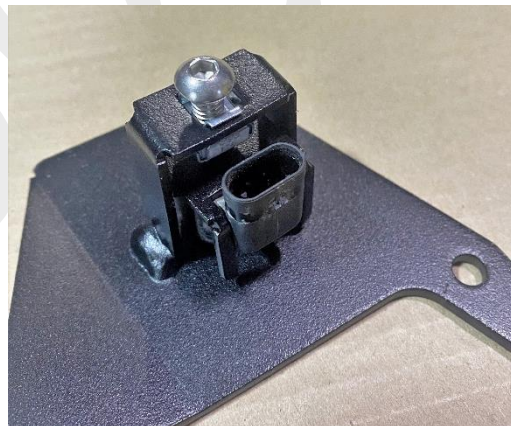
# Installation Instructions

## Freedom Series – Rear 2021-2022 Ram 1500 TRX

2. At this time, if applicable, install your LED light pods to the light bracket, and then fasten the light bracket to the bumper as shown below.



3. Run the rear wiring harness through the bumper to ensure that all sensor plugs can reach the respective openings. (Opening the wiring harness to gain more slack may be required.) Take all the bolt in plates and install the provided 1/4"-20 cage nuts. Then install the rear parking sensors onto the bolt in plates by placing the sensor tab over the sensor, then inserting them into the bolt in plate. Lastly secure the sensor by tightening 1/4"-20 x 3/4" long BHCS onto the sensor tab hand tight, as shown below (Do not over tighten).





# Installation Instructions

## Freedom Series – Rear 2021-2022 Ram 1500 TRX

4. Plug all the sensors to the correct locations and install the bolt in plates using the 1/4"-20 X 3/4" long BHCS hardware provided.





# Installation Instructions

**Freedom Series – Rear  
2021-2022 Ram 1500 TRX**

## IX. FINISHING UP

- Install shackles.
- Check tailgate clearance by slowly lowering tailgate. Making sure it doesn't come in contact with the bumper
- Confirm that all hardware is tightened and everything is secure.
- Secure wiring harnesses for lights and sensors.
- Reconnect the battery.
- Test all lighting and wiring before using vehicle (fog lights, sensors, etc.).

## X. MAINTENANCE

- Frequently check that all hardware is tightened and that all wiring and connections are secure.

## FEEDBACK

We'd love to hear from you! Please send your pictures, testimonials, comments, or suggestions to us by email at [info@bodyguardbumpers.com](mailto:info@bodyguardbumpers.com). We frequently use customer pictures for brochures and marketing materials, and we always welcome customer feedback to ensure quality improvements within our company. Thanks for your purchase; we appreciate your business very much!

**Where STRENGTH Meets *Style!*™**