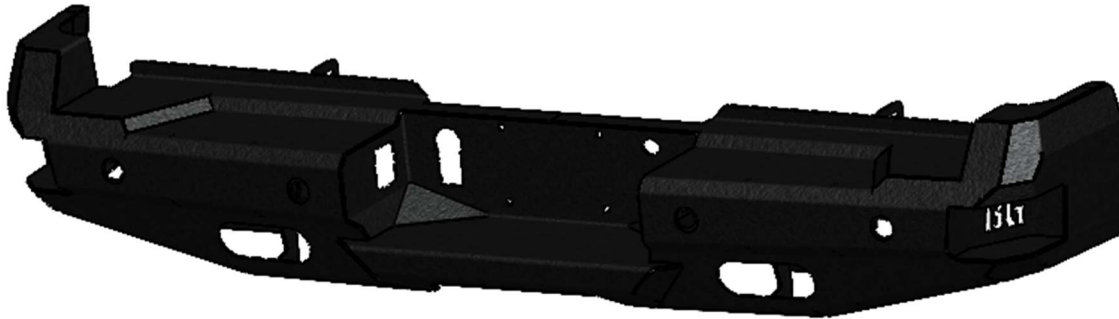


INSTALLATION GUIDE



SAFETY

THE SAFETY OF YOU AND OTHERS IS VERY IMPORTANT TO US!

In order to minimize this risk and make an informed decision about safety, it is important that you carefully read and follow the installation instructions we have provided.

We urge you to use your own good judgment and allow plenty of time for install.

HAZARD CHECKLIST

1. Always wear personal protective equipment (PPE) such as: protective eye wear, gloves, close toed shoes, etc.
2. We recommend that you use a certified mechanic or shop for professional installation.
3. Always set emergency brakes on vehicle and use tire blocks to ensure vehicle stabilization.
4. Use caution when lifting, we recommend the use of equipment to help lift bumpers into place.
5. Use caution when using power tools such as air ratchet, etc.
6. Take caution when installing wiring.
7. Perform regular inspections of hardware, bolts, brackets, etc.
8. Rigid light brackets are specifically designed to fit Rigid lights, we do not guarantee off brand fitment.
9. Our winch mount is designed for Warn and Superwinch products. We do not guarantee off brand fitment.

USE & RISK

Bodyguard Products LLC is not responsible for damage to our products, or other subsequent damage that might occur, as a result of misuse or improper installation. While we do manufacture products that appear stronger than factory parts, our products should not be viewed or relied upon as life-saving devices in the event of a collision or rollover. We make no claims relating to airbag compatibility, crashworthiness, or sturdiness. It is the customer's responsibility to check with the vehicle manufacturer or auto dealer regarding airbag compatibility and automobile manufacturer's warranty before installing our products.

PREPARATION

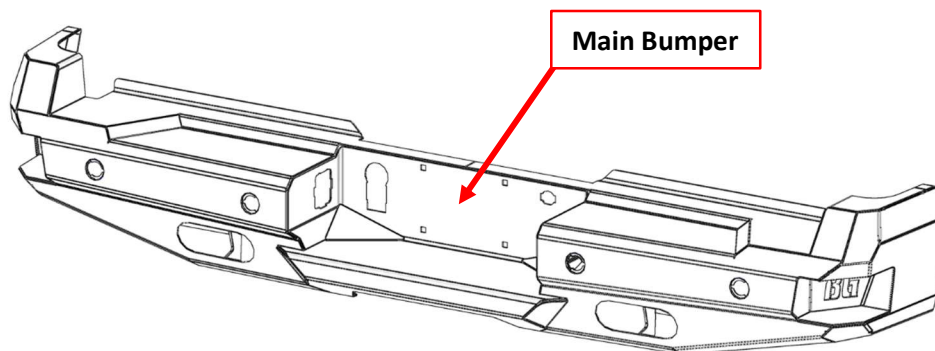
- Ensure personal safety by checking for hazards and identifying risks.
- Check for correct hardware.
- Check for tools needed.
- Use either foam or tape on fenders to prevent scratches to the truck when installing your bumper.
- Please allow approximately 3-4 hours for installation.
- Disconnect the battery.

TOOLS

- 1** - Jack
- 2** - Safety Stands
- 2** - Wheel Chocks
- 1** - Wire Cutters & Wire Crimpers
- 1** - Small Pry Tool
- 1** - Tape measure
- 1** - Pliers
- 1** - Metric Wrench/Sockets – 8mm, 10mm, 13mm, 14mm, 15mm, 18mm, 19mm, allen wrenches or sockets
- 1** - Level

BUMPER COMPONENTS

- 1** - Main Bumper Section
- 2** - Bumper frame mounts
- 2** - Reverse Lights (*optional*)
- 2** - Rear Parking Sensors (*holes or plugs*)



HARDWARE

Qty Parts

- 8**- 1/2-13 x 1-1/2" Long, Grade 8 HB Zinc-Yellow
- 16**- 1/2" Washer, Grade 8 Zinc-Yellow
- 8**- 1/2"-13 Grade 8 Steel Serrated Flange Nut Zinc
- 4**- Sensor Plugs

Rear License Plate Kit

- 4**- Plastic License Plate Nuts
- 4**- #14 x 5/8" Zinc License Plate Screw
- 2**- OVAL LED BACK-UP LIGHTS w/Rubber Grommet
- 4**- Plastic Wire Splices
- 2'**- Red/Black wire - 16 GA. AWG



Plastic License Plate Nut

Plastic Wire Splice

Sensor Plug

BUMPER REMOVAL

1. Disconnect the wiring harness from the 7 pin trailer plug on the inside of the bumper.
2. Disconnect the backup sensor and the license plate wiring harness.



3. Using a 15mm socket, remove the (2) bolts in the center of the bumper.
4. Using a 21mm socket, remove the (6) nuts and flag bolts from the frame on the driver and passenger side of the bumper.



5. Remove the bumper from the vehicle.
6. Remove the (12) bolts in the bumper support brackets on the driver and passenger side using a 45 Torx bit.
7. Unclip the 7 pin trailer plug from the bumper and remove. *(Retain plug for later use)*



- Then remove the support brackets in place to gain access to parking sensors and wiring harness.



Copy of 29453 (New Display Stand - Rev I

- Disconnect the parking sensors and license plate light p



Parking Sensor Bezel

License Plate Light

Parking Sensor plug

License Plate light plugs

- Remove the wiring harness from the bumper. (Retain harness for later use)
- Use care and a pry tool, remove the parking sensors and bezels, and license plate lights from the bumper.



- Use the ignition key to remove the spare tire lock from the bumper.

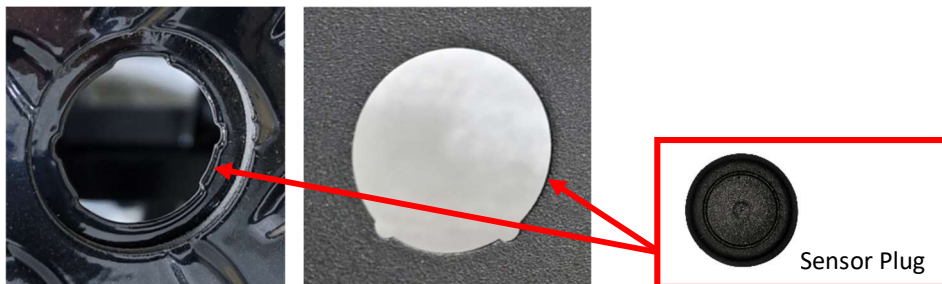


BUMPER INSTALL

1. Install the 7 pin trailer plug and the license plate lights into the bumper.
2. Install the spare tire lock into the bumper.
3. Install the OVAL LED BACK-UP LIGHTS w/Rubber Grommet using the hardware supplied with the lighting kit.
4. Install and route the parking sensor harness, bezels, and sensors, into the bumper.



5. If your truck does not have sensors, use provided sensor plugs.

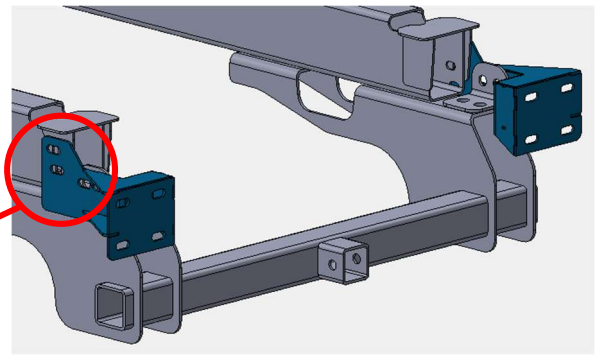


Note: The above sensors holes may not be the exact same cutout in your bumper. These are just used as examples.

6. Connect the wiring harness to the parking sensors and the license plate lights on each side of the bumper.

MOUNT INSTALL

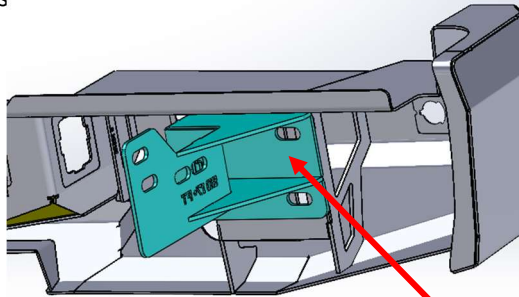
1. Use the factory hardware to install the Bodyguard bumper mounts onto the frame.



Factory bolts

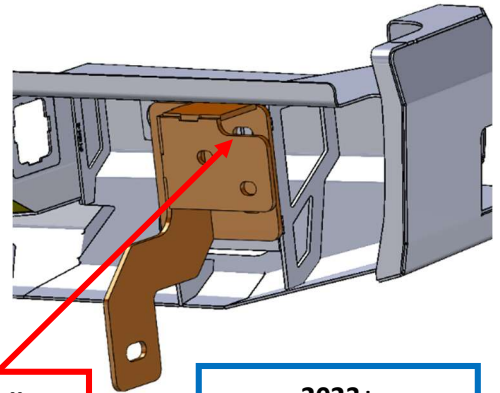
BUMPER INSTALL CONTINUED

1. Attach the bumper with the 1/2-13 x 1-1/2" Grade 8 HB Zinc-Yellow hardware, leaving enough space to adjust the bumper as needed into position. Using a tape measure, adjust the bumper vertically and horizontally to the desired body gaps. Once the bumper is lined up, tighten all hardware for the bumper and the mounts. Using jack stands or an additional person to help support the bumper is recommended. Use the bolts to attach the bumper to the bumper mounts



2017-2022

1/2-13 x 1-1/2 Long, Grade 8 HB Zinc-Yellow



2023+

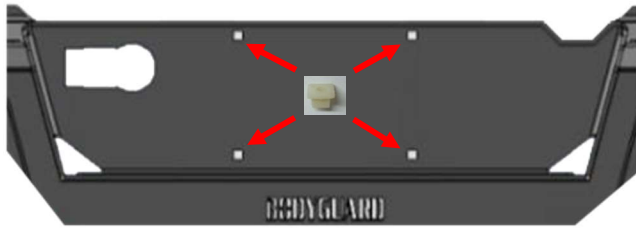
REVERSE LIGHT WIRING

1. Using the Red/Black wire - 16 GA. AWG and the plastic wire splices, wire in the OVAL LED BACK-UP LIGHTS to the trailer plug harness.
2. Connect the red wire to the center pin yellow wire(*power+*) of the 7 way trailer plug harness.
3. Connect the white wire to the bottom left pin white wire(*ground-*) of the 7 way trailer plug harness.
4. Black wire will not be used.



LICENSE PLATE INSTALL

1. Insert Plastic License Plate Nuts into bumper and mount license plate using the License Plate Screw and a power drill.



FINISHING UP

- Install shackles.
- Confirm that all hardware is tightened and everything is secure.
- Secure wiring harnesses for lights and sensors.
- Test all lighting and wiring before using vehicle (fog lights, sensors, etc.).
- Reconnect the battery.

MAINTENANCE

- Periodically check that all hardware is tightened and that all wiring and connections are secure.
- Periodically check that all sensor plugs are secure.
- Routinely wash bumper to maintain the powder coat finish.

FEEDBACK

We'd love to hear from you!

Please send your pictures, testimonials, comments, or suggestions to us by email at info@bodyguardbumpers.com. We frequently use customer pictures for brochures and marketing materials, and we always welcome customer feedback to ensure quality improvements within our company. Thanks for your purchase; we appreciate your business very much!

Where **STRENGTH** Meets *Style!*™



@BodyguardBumpers