

# INSTALLATION GUIDE



## SAFETY

**THE SAFETY OF YOU AND OTHERS IS VERY IMPORTANT TO US!**

In order to minimize this risk and make an informed decision about safety, it is important that you carefully read and follow the installation instructions we have provided.

We urge you to use your own good judgment and allow plenty of time for install.

## HAZARD CHECKLIST

1. Always wear personal protective equipment (PPE) such as: protective eye wear, gloves, close toed shoes, etc.
2. We recommend that you use a certified mechanic or shop for professional installation.
3. Always set emergency brakes on vehicle and use tire blocks to ensure vehicle stabilization.
4. Use caution when lifting, we recommend the use of equipment to help lift bumpers into place.
5. Use caution when using power tools such as air ratchet, etc.
6. Take caution when installing wiring.
7. Perform regular inspections of hardware, bolts, brackets, etc.
8. Rigid light brackets are specifically designed to fit Rigid lights, we do not guarantee off brand fitment.
9. Our winch mount is designed for Warn and Superwinch products. We do not guarantee off brand fitment.

## USE & RISK

Bodyguard Products LLC is not responsible for damage to our products, or other subsequent damage that might occur, as a result of misuse or improper installation. While we do manufacture products that appear stronger than factory parts, our products should not be viewed or relied upon as life-saving devices in the event of a collision or rollover. We make no claims relating to airbag compatibility, crashworthiness, or sturdiness. It is the customer's responsibility to check with the vehicle manufacturer or auto dealer regarding airbag compatibility and automobile manufacturer's warranty before installing our products.

# PREPARATION

- Ensure personal safety by checking for hazards and identifying risks.
- Check for correct hardware.
- Check for tools needed.
- Use either foam or tape on fenders to prevent scratches to the truck when installing your bumper.
- Please allow approximately 3-4 hours for installation.

# HARDWARE

## Qty Parts

- 4**- 1/2"-13 x 1-1/2" Yellow Zinc Grade 8 Hex Bolt
- 8**- 1/2" Yellow Zinc Grade 8 Flat Washer
- 4**- 1/2"-13 Zinc Grade 8 Serrated Hex Flange Nut
- 4**- Sensor Plug 9696 27mm
- 16**- 1/4-20 x 5/8 Long, Stainless Steel SBHCS
- 2**- 1/4-20 Hex Grade 5 Serrated Flange Nut, Stainless Steel
- 12**- 1/4-20 (.093-.126: Panel Range) Zinc Electroplate Spring Steel Cage Nut

### Rear License Plate Kit

- 4**- Plastic License Plate Nuts
- 4**- #14 x 5/8" Zinc License Plate Screw
- 4**- Plastic Wire Splices
- 2**- Tag Lights
- 4**- Tag Light Screws
- 4**- Plastic Clips For Tag Lights

## TAG BOX BRACKET INSTALL (IF APPLICABLE)

1. Some trucks will have a plastic bracket that is clipped to the factory bumper that holds two modules. We provide a bracket that allows these modules to be located in the same location after uninstalling the OEM bumper.
2. Install the two modules by clipping the one shown on the left in. Then bolting the one on the right down with 2x 1/4-20x5/8 long stainless-steel bolts and nuts.
3. Install the bracket to the factory receiver hitch by removing the clip nuts from the receiver hitch and installing the clip nuts to the new bracket. Then secure the bracket with factory hardware that was used to bolt the OEM bumper to the trailer hitch.

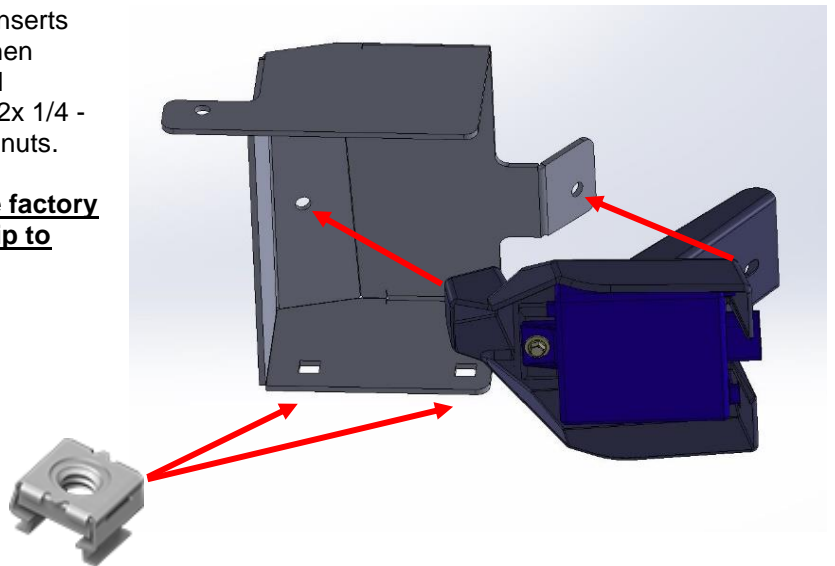


## TAG BOX BRACKET INSTALL

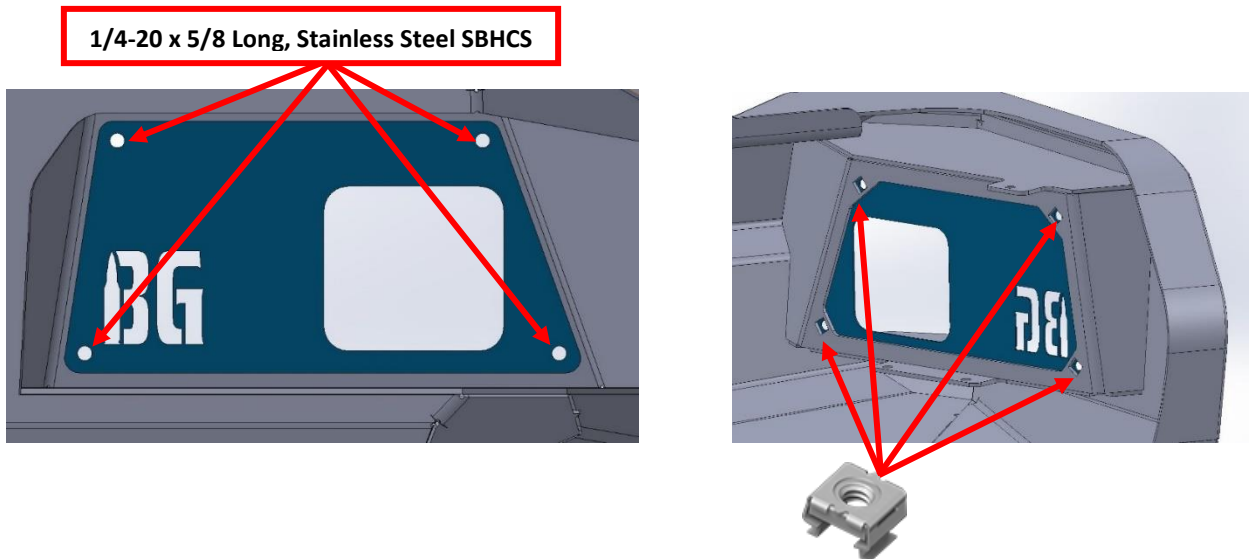
**Important:** This bumper accommodates the factory blind spot sensors however the side detection system / blind spot monitoring system may not operate properly.

1. Install provided Cage Nuts into square inserts on the BG Sensor Mounting Bracket. Then install the factory Blind Spot Sensor and Housing to the Mounting Bracket using 2x 1/4 - 20 X 5/16 Long screws and 2x 1/4 - 20 nuts.

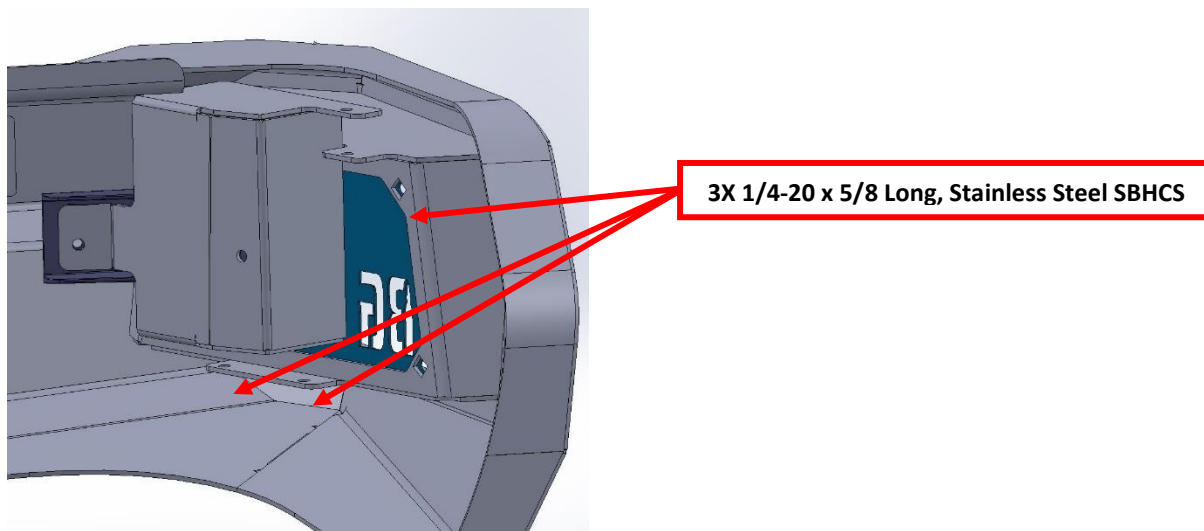
**NOTE:** If your truck does not have the factory **Blind Spot Monitor Sensor** please skip to **step 3**



2. Install provided Cage Nuts into the 4 slots on the bumper. Then install the Sensor Cover Plate using 4x 1/4 – 20 x 5/16 long.

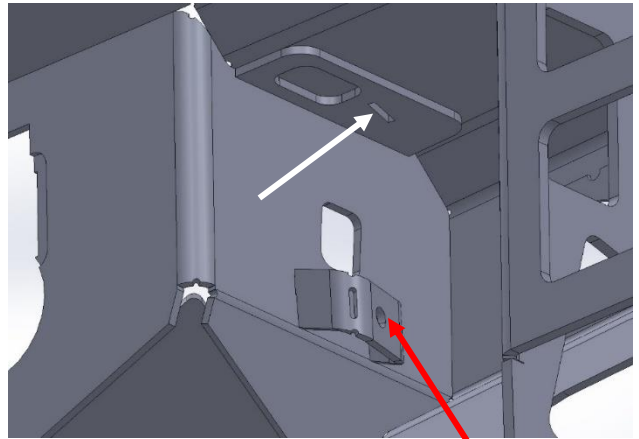


3. Install the Blind Spot Sensor assembly onto bumper using 3x 1/4-20x5/8 long stainless-steel bolt and 1x 1/4 – 20 nu



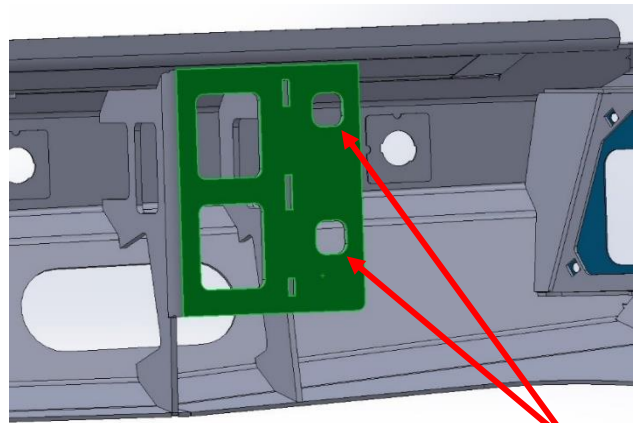
# BUMPER INSTALLATION

1. Next remove the factory tag lights from the factory bumper. You will install the cage nut and secure the license plate light to the bumper using 1x 1/4-20x5/8 long stainless-steel bolt. The tag light will slide into a slot cutout on the top of the bumper shown by the white arrow.



1/4-20 x 5/8 Long, Stainless Steel SBHCS

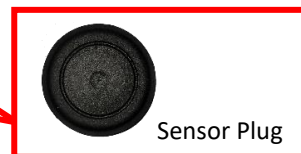
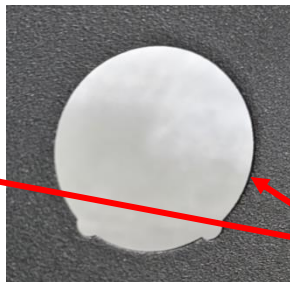
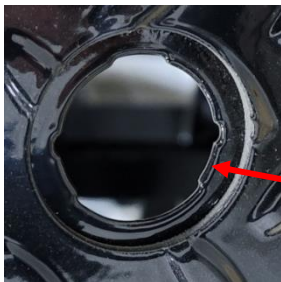
2. Finally bolt the bumper to the truck frame using 2x 1/2"-13 x 1-1/2" Yellow Zinc Grade 8 Hex Bolt, Nut, and Washer



1/2"-13 x 1-1/2" Yellow Zinc Grade 8 Hex Bolt

# SENSOR PLATE INSTALL

1. If your truck does not have sensors, use provided sensor plugs.



**Note:** The above sensors holes may not be the exact same cutout in your bumper. These are just used as examples.

## FINISHING UP

- Install shackles.
- Confirm that all hardware is tightened and everything is secure.
- Secure wiring harnesses for lights and sensors.
- Test all lighting and wiring before using vehicle (fog lights, sensors, etc.).

## MAINTENANCE

- Periodically check that all hardware is tightened and that all wiring and connections are secure.
- Periodically check that all sensor plugs are secure.
- Routinely wash bumper to maintain the powder coat finish.

## FEEDBACK

We'd love to hear from you!

Please send your pictures, testimonials, comments, or suggestions to us by email at [info@bodyguardbumpers.com](mailto:info@bodyguardbumpers.com). We frequently use customer pictures for brochures and marketing materials, and we always welcome customer feedback to ensure quality improvements within our company. Thanks for your purchase; we appreciate your business very much!

Where **STRENGTH** Meets *Style!*™



@BodyguardBumpers