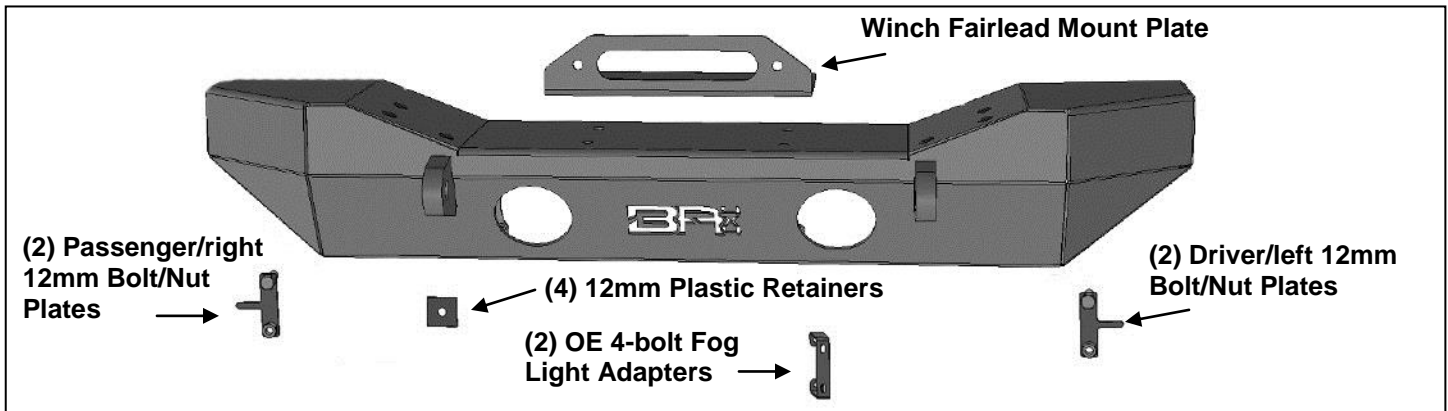


## 2007-2023 JEEP WRANGLER JK/JL & GLADIATOR JT MID-STUBBY FRONT BUMPER PART #JL-19532

### PARTS LIST:

1	Mid Width Stubby Front Bumper Assembly	4	12mm Lock Washers
1	Winch Fairlead Mount Plate	4	12mm Nylon Lock Nuts
2	OE Fog Light Adapter Brackets	14	4mm x 15mm Button Head Bolts
2	Driver/left 12-1.75mm Bolt-Nut Plates	24	4mm x 12mm x 1mm Flat Washers
2	Passenger/right 12-1.75mm Bolt-Nut Plates	14	4mm Lock Washers
4	12mm Plastic Retainers	10	4mm Hex Nuts
4	12mm x 40mm Hex Bolts	1	2.5mm Allen Wrench
8	12mm x 32mm x 3mm Flat Washers		



### PROCEDURE:

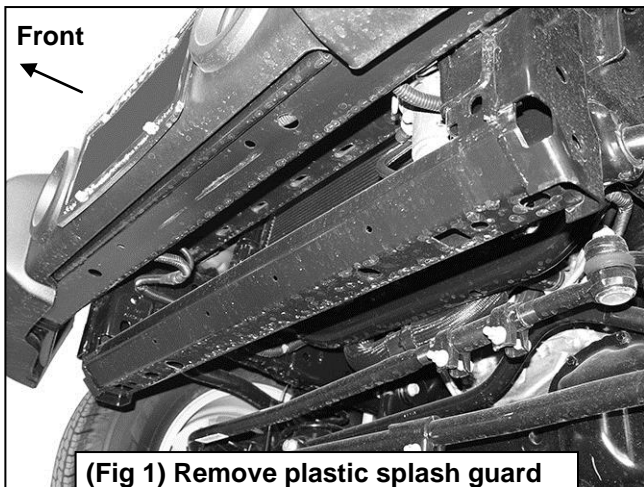
REMOVE CONTENTS FROM BOX. VERIFY ALL PARTS ARE PRESENT. READ INSTRUCTIONS CAREFULLY BEFORE STARTING INSTALLATION. ASSISTANCE IS RECOMMENDED. FACTORY 2-BOLT FOG LIGHT ASSEMBLY FROM 2013-ON JK & JL OE STEEL WINCH BUMPER CANNOT BE INSTALLED.

1. Start under the front bumper and remove the plastic lower splash guard or skid plate, **(Figure 1)**. **NOTE:** Splash guard or skid plate cannot be reinstalled.
2. On models with factory fog lights, unplug wiring harness leading to the bumper before removing bumper.
3. With assistance, remove the front bumper hardware and bumper, **(Figures 2—4)**. Move the factory bumper to a stable surface.
4. Select (1) driver/left 12mm Bolt/Nut Plate and (1) 12mm Plastic Retainer, **(Figure 5)**. Insert the Bolt Plate through the opening in the inner bumper bracket welded to the back of the Bumper. Thread the Plastic Retainer onto the "Bolt" in the Bolt/Nut Plate to hold the Bolt/Nut Plate in position on the Bumper, **(Figures 5 & 6)**. Repeat this Step to install the remaining driver/left and (2) passenger/right Bolt/Nut Plates.
5. Remove fog lights and wiring harness from factory bumper.
6. **Determine the correct fog light Installation.** **NOTE** Excludes 2-bolt LED and Halogen fog lights as supplied with 2013-on JK and JL-JT models with OE steel winch compatible option bumper.
  - 4-bolt, evenly spaced mounting style**
    - a. Select (1) Adapter Bracket, **(Figure 7)**. Attach the Bracket to the inner mounting location with (2) 4mm Screws, (2) 4mm Lock Washers and (2) 4mm Flat Washers, **(Figures 7 & 8)**.
    - b. Attach the driver/left fog light assembly to the outer mounting plate and the inner Adapter Bracket with (4) 4mm Screws, (8) 4mm Flat Washers (4) 4mm Lock Washers and (4) 4mm Hex Nuts, **(Figure 8)**. **IMPORTANT:** Do not overtighten hardware or damage to the fog light may result.

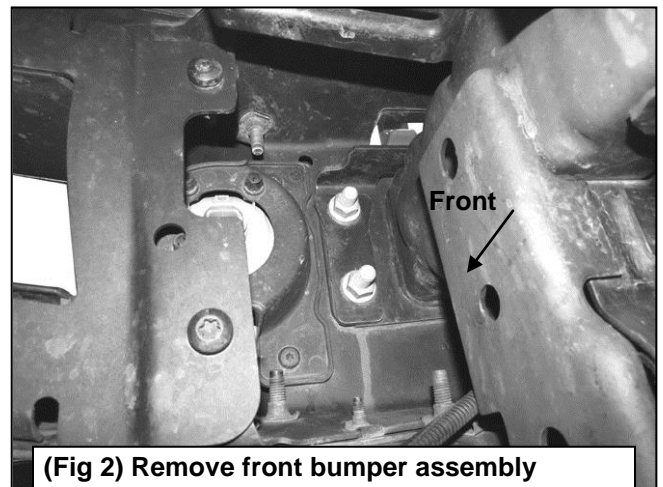
2018-on JL-JT Sport model w-1pc plastic bumper. Offset mounting style (1 screw to outside, 2 screws to inside of housing)

- a. Select the driver/left fog light assembly, **(Figure 9)**.
- b. Attach the outer tab on the housing to the mounting plate with (1) 4mm Screw, (2) 4mm Flat Washers, (1) 4mm Lock Washer and (1) 4mm Hex Nut, **(Figures 9 & 10)**. Leave hardware loose at this time. Attach the inner side of the housing to the mounting plate with (2) 4mm Screws, (2) 4mm Lock Washers and (2) 4mm Flat Washers, **(Figures 9 & 10)**. Tighten fog light mounting hardware. **IMPORTANT:** Do not overtighten hardware or damage to the fog light may result.
7. Attach the wiring harness from factory bumper to the OE fog lights and Bumper.
8. If installing optional Body Armor Hoop Light Bar, (not included, available separately), follow instructions included with light bar to attach Hoop now before installing Bumper.
9. With assistance, hold the Bumper assembly up to the end of the frame. Line up the Bolt/Nut Plates in the back of the Bumper with top mounting holes in the bumper mounting plates on the end of the frame. Attach the Bolt/Nut Plates to the frame with (4) 12mm Flat Washers, (4) 12mm Lock Washers and (4) 12mm Hex Nuts, **(Figure 11)**. **IMPORTANT:** On some JK model years, the top inner mounting holes in the frame brackets may require drilling to clear the 12mm Bolt/Nut Plate. Use a 1/2" drill bit to open up the mounting holes for the 12mm hardware, **(Figure 3)**. Leave hardware loose at this time.
10. Rotate each Bolt on the (4) Bolt/Nut Plates to line up the Nut with the lower mounting hole in the Bumper and bumper bracket on the frame. Attach the "Nut" on the Bolt/Nut Plate to the frame with the included (4) 12mm Hex Bolts, (4) 12mm Lock Washers and (4) 12mm Flat Washers, **(Figure 11)**. Do not fully tighten hardware at this time.
11. Level and adjust as required. Once properly aligned, fully tighten all hardware.
12. Reattach the wiring harness for the fog lights to the main harness, if equipped.
13. Do periodic inspections of the installation to make sure that all hardware is secure and tight.

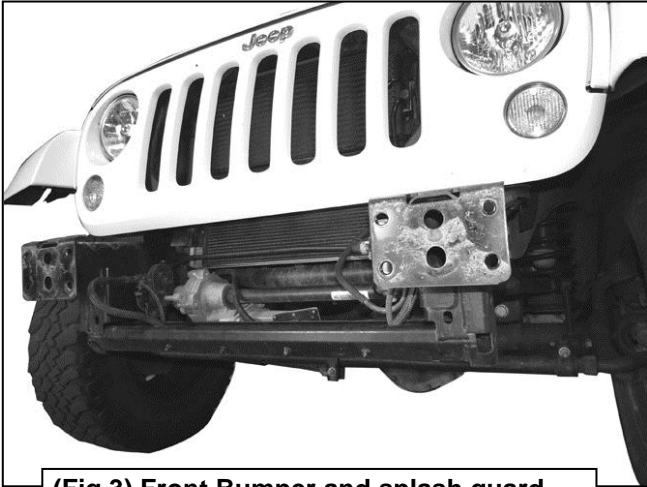
## Driver/left Side Installation Pictured



**(Fig 1) Remove plastic splash guard or skid plate from bottom of bumper**



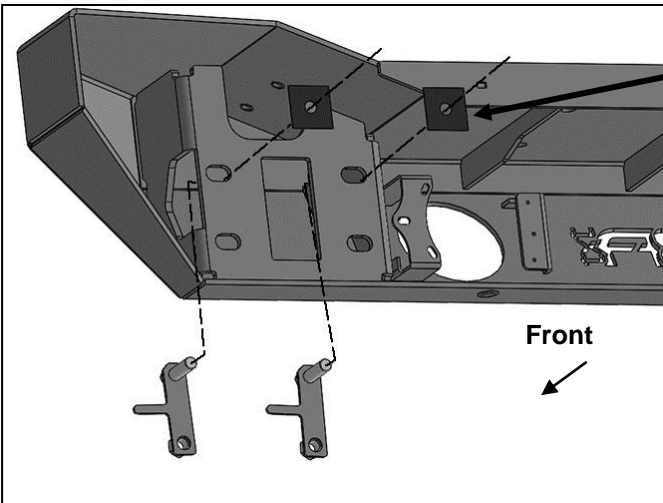
**(Fig 2) Remove front bumper assembly (driver side JK outer bumper bolts pictured)**



(Fig 3) Front Bumper and splash guard removed from 2007-18 JK model pictured

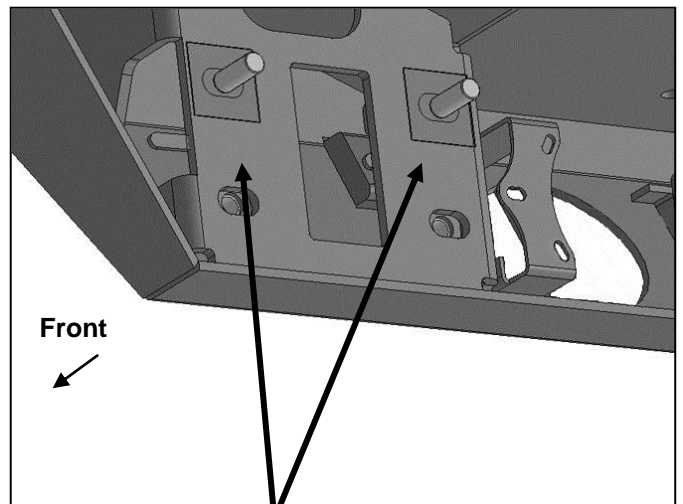


(Fig 4) Front Bumper and splash guard removed from 2018-on JL model pictured

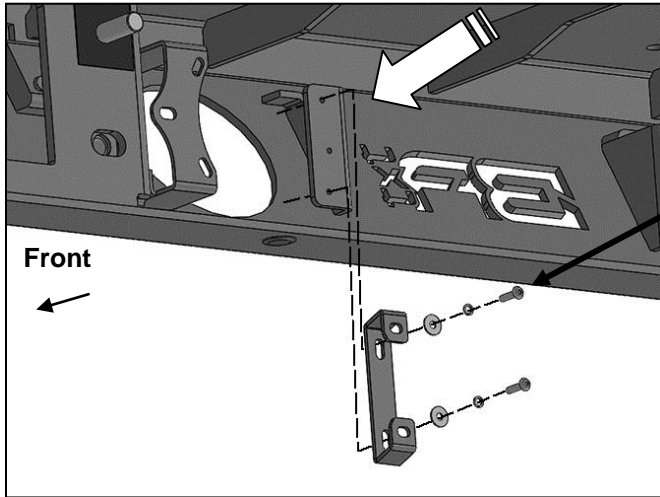


(Fig 5) Insert (2) Driver/left 12mm Bolt/Nut Plates into opening in back of bumper bracket. Push Bolt out through top mounting hole. NOTE Handle on Bolt/Nut Plate to help maneuver into position

Thread 12mm Plastic Retainer onto Bolt



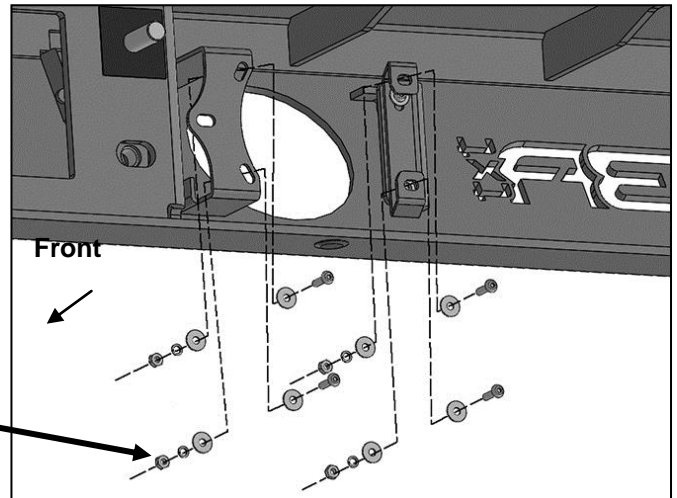
(Fig 6) Thread 12mm Plastic Retainer onto Bolt to hold Bolt/Nut Plate in position



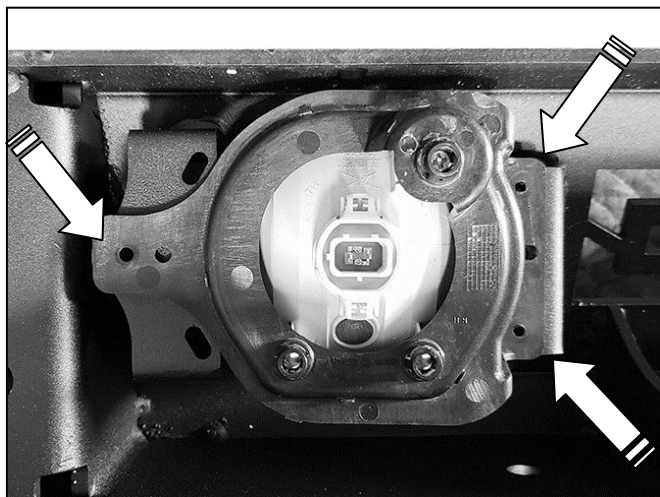
- (2) 4mm x 15mm Button Head Screws
- (2) 4mm Lock Washers
- (2) 4mm Flat Washers

(Fig 7) Attach 4-bolt Fog Light Adapter Bracket to mounting plate (arrow). Driver/left side pictured

- (4) 4mm x 15mm Button Head Screws
- (8) 4mm Flat Washers
- (4) 4mm Lock Washers
- (4) 4mm Hex Nuts



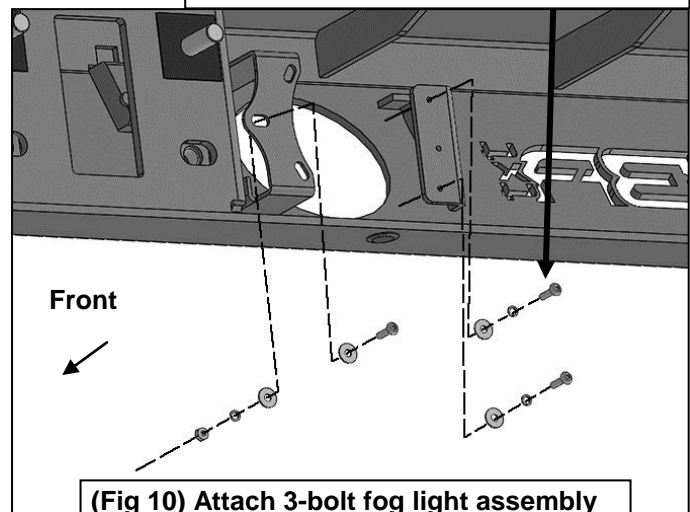
(Fig 8) Attach 4-bolt Fog Light to mounting plate and Adapter



(Fig 9) Line up fog light assembly with mounting location (Fig 10).

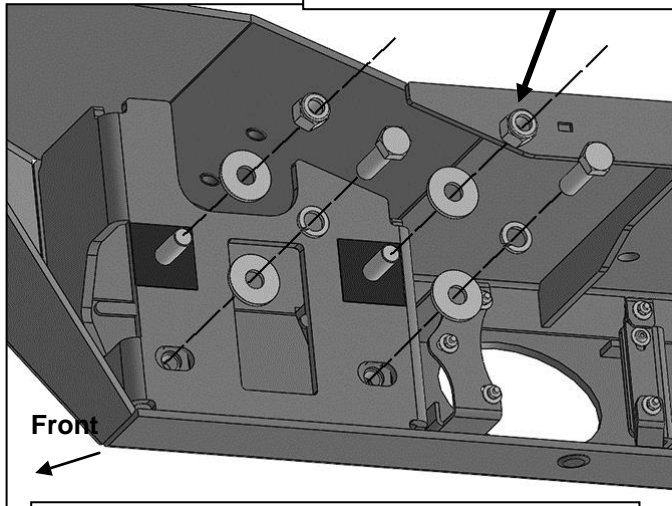
Attach offset style fog light from JL Sport model w-1pc plastic bumper, directly to mounting plates. Driver/left side pictured

- (4) 4mm x 15mm Button Head Screws
- (8) 4mm Flat Washers
- (4) 4mm Lock Washers
- (4) 4mm Hex Nuts



(Fig 10) Attach 3-bolt fog light assembly directly to mounting location.

- (2) 12mm x 30mm Hex Bolts
- (4) 12mm Flat Washers
- (4) 12mm Lock Washers
- (2) 12mm Nylon Lock Nuts



(Fig 11) Attach Bumper assembly to bumper mounting plates on ends of frame (Fig 3 & 4)



(Fig 12) Attach winch (optional-not included) to top of Fairlead Mount Plate and Bumper