

INSTALLATION GUIDE



SAFETY

THE SAFETY OF YOU AND OTHERS IS VERY IMPORTANT TO US!

In order to minimize this risk and make an informed decision about safety, it is important that you carefully read and follow the installation instructions we have provided.

We urge you to use your own good judgment and allow plenty of time for install.

HAZARD CHECKLIST

1. Always wear personal protective equipment (PPE) such as: protective eye wear, gloves, close toed shoes, etc.
2. We recommend that you use a certified mechanic or shop for professional installation.
3. Always set emergency brakes on vehicle and use tire blocks to ensure vehicle stabilization.
4. Use caution when lifting, we recommend the use of equipment to help lift bumpers into place.
5. Use caution when using power tools such as air ratchet, etc.
6. Take caution when installing wiring.
7. Perform regular inspections of hardware, bolts, brackets, etc.
8. Rigid light brackets are specifically designed to fit Rigid lights, we do not guarantee off brand fitment.
9. Our winch mount is designed for Warn and Superwinch products. We do not guarantee off brand fitment.

USE & RISK

Bodyguard Products LLC is not responsible for damage to our products, or other subsequent damage that might occur, as a result of misuse or improper installation. While we do manufacture products that appear stronger than factory parts, our products should not be viewed or relied upon as life-saving devices in the event of a collision or rollover. We make no claims relating to airbag compatibility, crashworthiness, or sturdiness. It is the customer's responsibility to check with the vehicle manufacturer or auto dealer regarding airbag compatibility and automobile manufacturer's warranty before installing our products.

PREPARATION

- Ensure personal safety by checking for hazards and identifying risks.
- Check for correct hardware.
- Check for tools needed.
- Use either foam or tape on fenders to prevent scratches to the truck when installing your bumper.
- Please allow approximately 3-4 hours for installation.

HARDWARE

Qty Parts

FT Front Mount Kit 2019+ RAM HD

- 4**- 1/2-13 x 3-1/2 Long, Grade 8 HB Zinc-Yellow
- 8**- 1/2" Washer, Grade 8 Zinc-Yellow
- 8**- 1/2"-13 x 1-1/4" Stainless Steel Hex Bolt
- 16**- 1/2" Stainless Steel Flat Washer
- 12**- 1/2"-13 Grade 8 Steel Serrated Flange Nut Zinc
- 8**- 5/16"-18 x 1" Zinc Grade 5 Hex Bolt
- 16**- 5/16" Zinc Grade 5 Flat Washer
- 8**- 5/16"-18 Zinc Grade 8 Serrated Hex Flange Nut
- 8** 1/4-20 x 3/4" Long, Stainless Steel SBHCS
- 8** 1/4-20 Hex Grade 5 Serrated Flange Nut, Stainless Steel
- 6** Sensor Plug 9696 27mm

Grill Guard Camera

- 2**- 1/4-20 x 5/8 Long, Stainless Steel SBHCS
- 2**- 1/4-20 Hex Grade 5 Serrated Flange Nut, Stainless Steel
- 1**- Camera Plug 9691 19mm

Grill Guard Mesh

- 4**- 1/4-20 x 5/8 Long, Stainless Steel SBHCS
- 4**- 1/4-20 Hex Grade 5 Serrated Flange Nut, Stainless Steel

FT Front License Plate

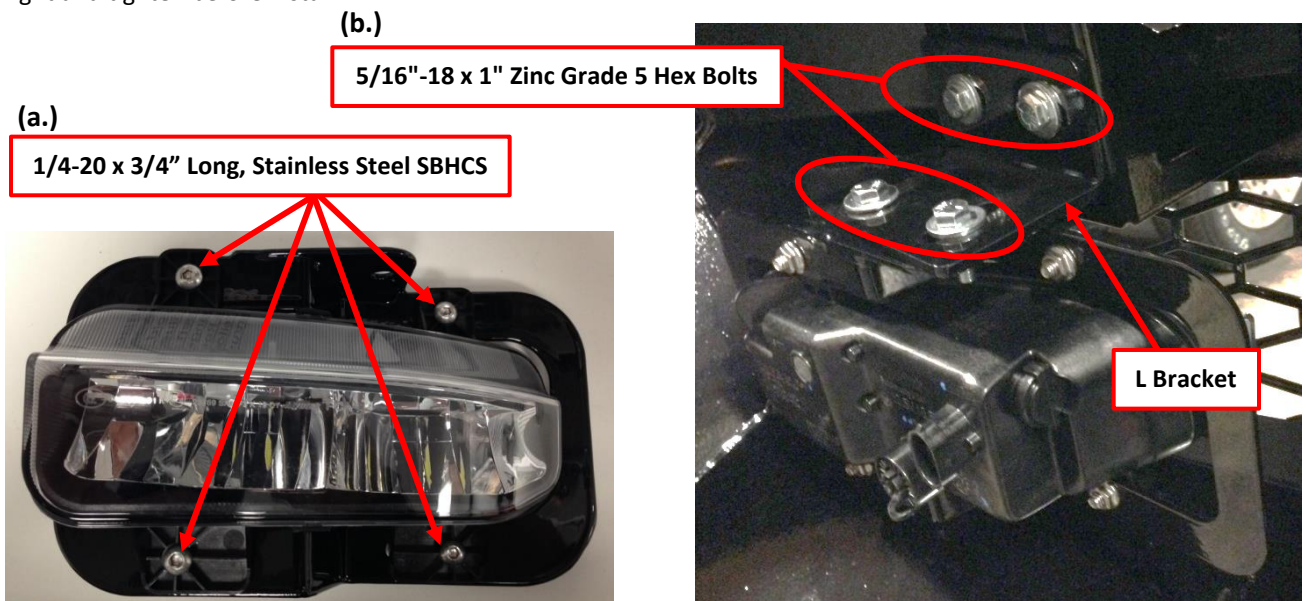
- 4**- Plastic License Plate Nuts
- 4**- #14 x 5/8" Zinc License Plate Screw

FT Front Light Bar Mount

- 2**- 5/16"-18 x 1" Zinc Grade 5 Hex Bolt
- 2**- 5/16" Zinc Grade 5 Flat Washer
- 2**- 5/16"-18 Zinc Grade 8 Serrated Hex Flange Nut

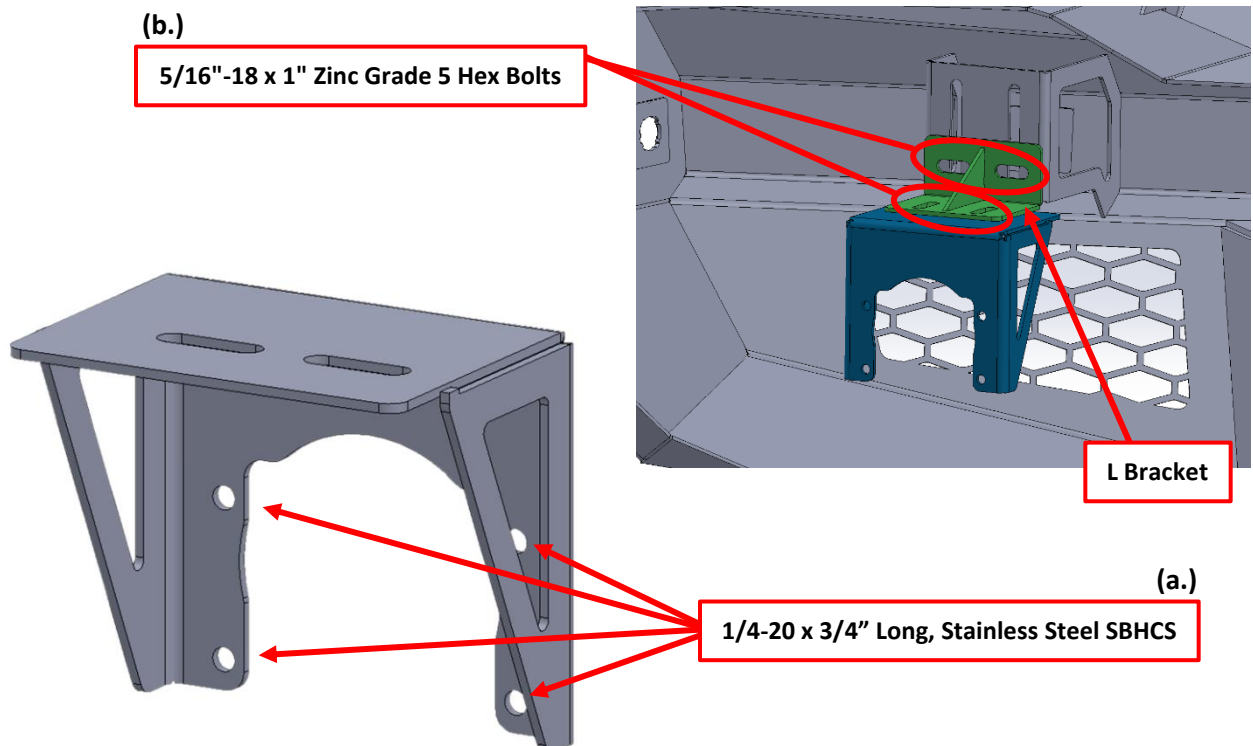
OEM RECTANGLE FOG LIGHT INSTALL

1. (a.) First attach the fog light to mounting bracket with 1/4" button head bolts. (b.) Then attach the fog light bracket to the L bracket using 5/16" bolts. Attach the L bracket and Fog Light Bracket to the bumper with 5/16" bolts, adjust the light and tighten before install.



OEM ROUND FOG LIGHT INSTALL

1. (a.) First attach the fog light to mounting bracket with 1/4" button head bolts. (b.) Then attach the fog light bracket to the L bracket using 5/16" bolts. Attach the L bracket and Fog Light Bracket to the bumper with 5/16" bolts, adjust the light and tighten before install.

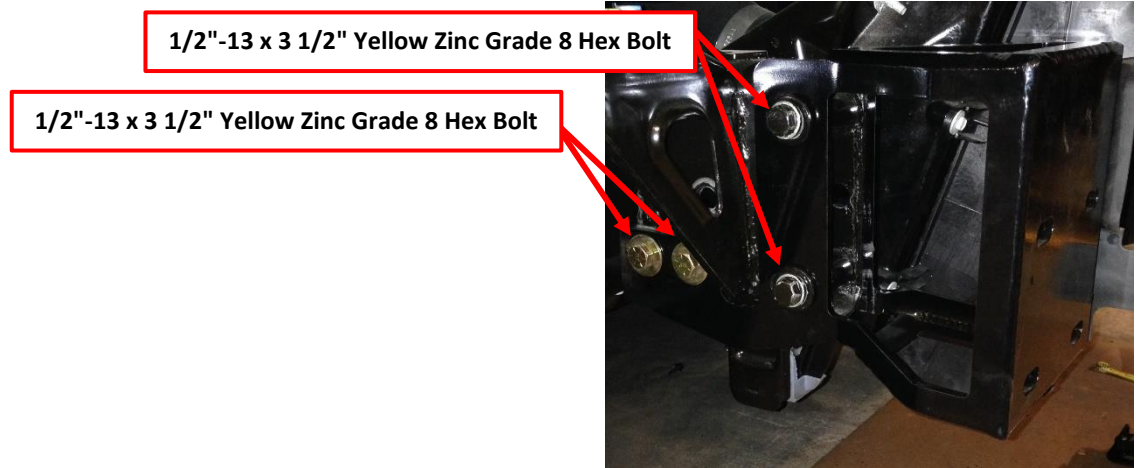


BUMPER REMOVAL

1. First unplug harness from the bumper to the truck. Then remove the 6 bolts holding the factory bumper on.

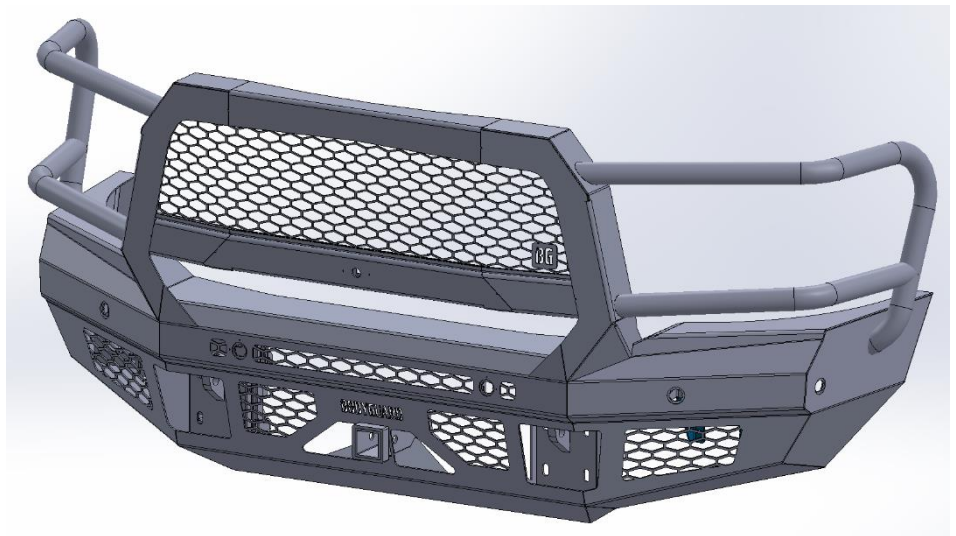
MOUNT INSTALL

1. Attach the truck mounts with the 1/2" stainless hardware, leaving enough space to adjust as needed.



SENSOR INSTALL

1. Install factory sensor clips into the bumper, and then insert the sensors into the clips.

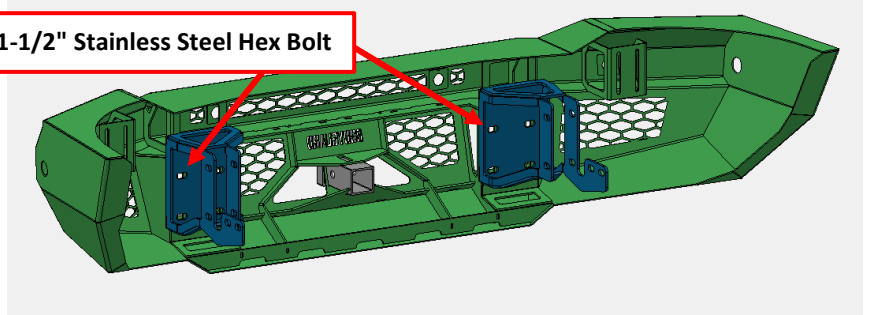


Note: If your truck does not have sensors, use the provided sensor plugs, item (#6); to plug sensor holes.

BUMPER INSTALL

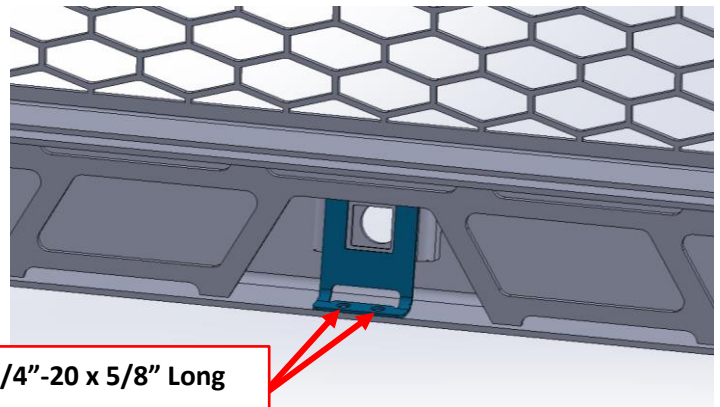
1. Attach the bumper with the 1/2" stainless hardware, leaving enough space to adjust the bumper as needed into position. Once the bumper is lined up, tighten all hardware.

1/2"-13 x 1-1/2" Stainless Steel Hex Bolt



CAMERA BRACKET INSTALL

1. Place Camera into square spacer that is welded to the bumper. Then install the blue bracket with **2x (1/4"-20 x 5/8" Long, Stainless Steel SBHCS)** behind the camera. This bracket will press the camera against the spacer securing the camera to the grille guard.



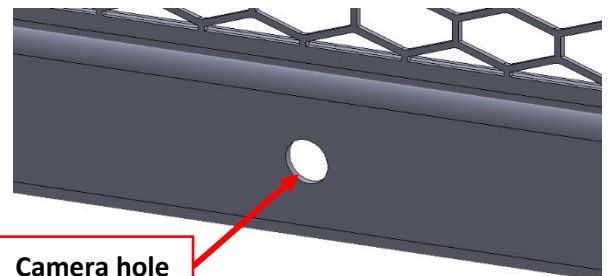
1/4"-20 x 5/8" Long
Stainless Steel SBHCS

CAMERA PLUG INSTALL

1. If your vehicle does not come equipped with a front camera, install the provided plug into the camera hole.



Camera plug



Camera hole

FINISHING UP

- Install shackles.
- Confirm that all hardware is tightened and everything is secure.
- Secure wiring harnesses for lights and sensors.
- Test all lighting and wiring before using vehicle (fog lights, sensors, etc.).

MAINTENANCE

- Periodically check that all hardware is tightened and that all wiring and connections are secure.
- Periodically check that all sensor plugs are secure.
- Routinely wash bumper to maintain the powder coat finish.

FEEDBACK

We'd love to hear from you!

Please send your pictures, testimonials, comments, or suggestions to us by email at info@bodyguardbumpers.com. We frequently use customer pictures for brochures and marketing materials, and we always welcome customer feedback to ensure quality improvements within our company. Thanks for your purchase; we appreciate your business very much!

Where **STRENGTH** Meets *Style!*™



@BodyguardBumpers