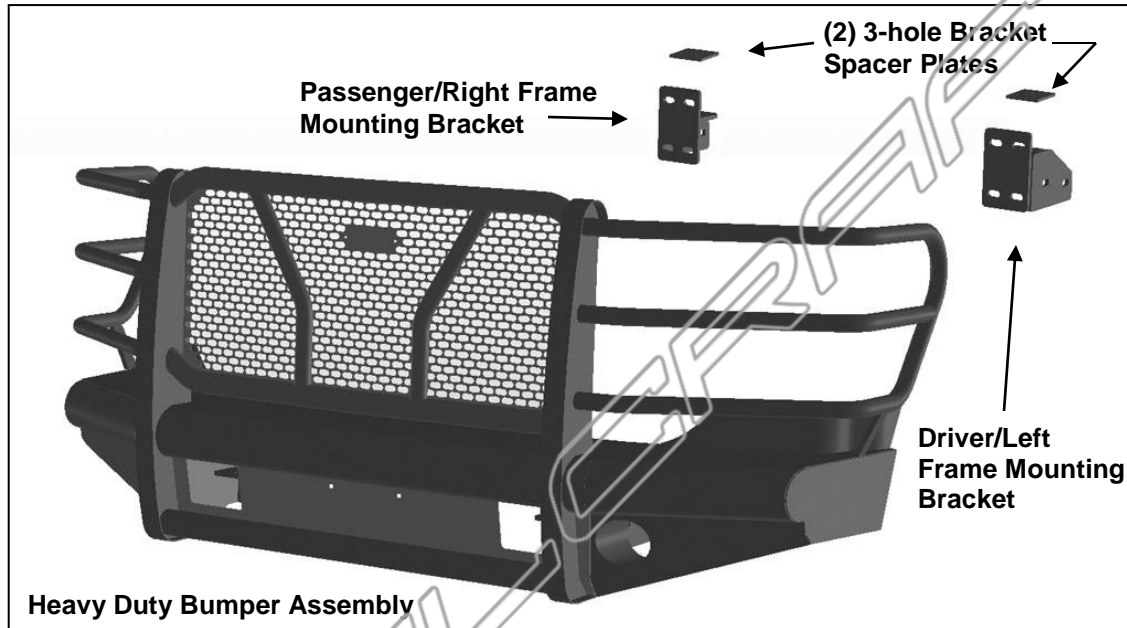


**HEAVY DUTY FRONT BUMPER
2011-15 FORD SUPERDUTY F250-350**

PARTS LIST:

1	Heavy Duty Front Bumper Assembly	18	12-1.75mm x 50mm Hex Bolts
1	Driver/Left Frame Mounting Bracket	36	12mm x 32mm x 3mm Flat Washers
1	Passenger/Right Frame Mounting Bracket	18	12mm Lock Washers
2	3-hole Bracket Spacer Plates	18	12-1.75mm Hex Nuts
2	Plastic Plugs for license plate mount		



PROCEDURE:

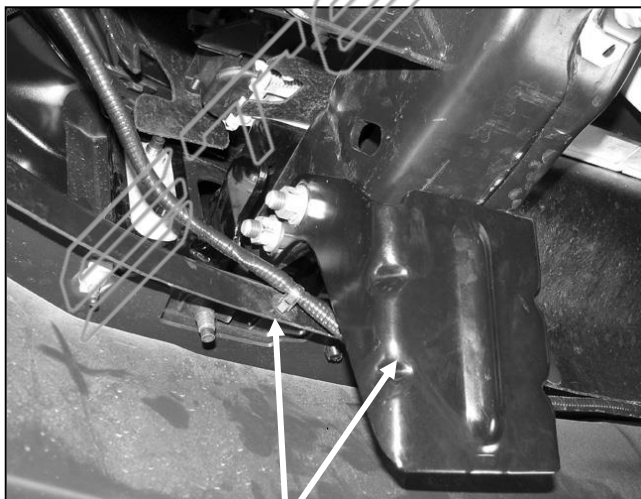
REMOVE CONTENTS FROM BOX. VERIFY ALL PARTS ARE PRESENT. READ INSTRUCTIONS CAREFULLY BEFORE STARTING INSTALLATION. BUMPER IS HEAVY, ASSISTANCE IS HIGHLY RECOMMENDED TO AVOID POSSIBLE INJURY OR DAMAGE TO THE VEHICLE.

1. Remove the license plate and bracket. On models with factory fog lights, unplug both lights. Release the wiring harness from the clips attached to the back of the bumper, **(Figures 1 & 2)**. Move harness away from bumper.
2. Release the rubber air deflector from the back of the bumper. Next, remove the hardware at each end of the bumper, attaching the bumper supports to each side of the frame, **(Figure 2)**.
3. Place blocks or jack stands under the front bumper to support it during mounting bolt removal. Once the bumper has been safely supported, remove the (4) factory bumper bolts, **(Figure 3)**.
WARNING! Assistance is required to hold the bumper in place during bolt removal to prevent the bumper from falling. Carefully slide the bumper off over the tow hooks.
4. Remove the driver side tow hook from the end of the frame, **(Figure 4)**. Next, remove the (4) factory hex nuts, lower frame extension and double bolt plates from the end of the frame, **(Figures 4 & 5)**. Repeat to remove the passenger side tow hook and lower frame extension.
5. Next, select the driver side Frame Mounting Bracket. Attach the Bracket to the mounting plate on the back of the Bumper Assembly with the included (4) 12mm x 50mm Hex Bolts, (8) 12mm Flat Washers, (4) 12mm Lock Washers and (4) 12mm Hex Nuts, **(Figure 6)**. Do not fully tighten hardware at this time. Repeat to attach the passenger side Frame Mounting Bracket to the Bumper Assembly.
6. With assistance, position the Bumper Assembly with Brackets up to and over the ends of the frame. Temporarily support the weight of the Bumper. **WARNING:** To avoid possible injury or damage to the vehicle, do not proceed until the bumper is fully and safely supported.
7. Line up the (2) holes in the driver side Frame Bracket with the (2) holes in the side of the frame. Attach the Bracket to the frame with the included (2) 12mm x 50mm Hex Bolts, (4) 12mm Flat Washers, (2) 12mm Lock Washers and (2) 12mm Hex Nuts, **(Figures 7A & 7B)**. Do not fully tighten hardware at this time. Repeat to attach the passenger side Frame Bracket to the outer side of the frame.

**HEAVY DUTY FRONT BUMPER
2011-15 FORD SUPERDUTY F250-350**

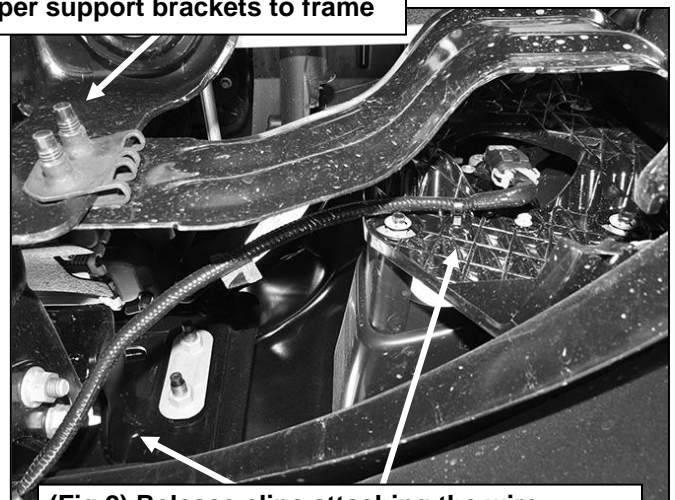
8. Next, select (1) 3-hole Spacer Plate, **(Figures 6 & 8)**. Place the Spacer Plate on top of the (3) holes in the Frame Bracket over the tow hook mounting holes in the frame. Insert (3) 12mm Hex Bolts with (3) 12mm Flat Washers down through the Spacer Plate, the top of the Bracket and the end of the frame. Insert (3) 12mm Flat Washers, (3) 12mm Lock Washers and (3) 12mm Hex Nuts up through the bottom of the frame, **(Figures 8 & 9)**. Leave hardware loose at this time. Repeat to attach the Spacer Plate to the top of the passenger side Frame Bracket and frame.
9. Level and adjust the bumper and fully tighten all hardware to 65-70ft-lbs.
10. Next, select the driver side tow hook. From the back of the Bumper, insert the tow hook through the opening in the Bumper Assembly, **(Figures 10 & 11)**. Use the factory tow hook hardware to attach the tow hook to the underside of the mounting plate. Fully tighten the tow hook hardware. Repeat this Step to install the passenger side tow hook.
11. **Models with fog lights:**
 - a. Use a flat blade screwdriver or pliers to pop off the round outer metal clip over each of the hex nuts attaching the plastic light bracket to the back of the bumper, **(Figure 12)**. Remove the hex nuts and the light assembly, **(Figure 13)**.
 - b. Next, use a flat blade screwdriver to pop up the center pin on the (2) fasteners attaching the top of the fog light to the light bracket, **(Figure 13)**. Remove the adjustment screw, spring and plastic nut from the bottom of the light.
 - c. Slide the light into place between the mounting tabs on the Bumper. Reuse the factory fasteners to attach the top of the light to the mounting tabs, **(Figure 14)**. Attach the plastic nut to the lower bent tab on the Bumper. Insert the screw through the tab on the light, the spring (between light and tab on bumper), and into the plastic nut. Adjust the light as needed.
 - d. Repeat to install the remaining fog light.
 - e. Reattach the factory wiring harness to both lights.
12. Use the included (2) push-in plastic nuts to attach the front license plate, (if required), to the (2) holes in the front bumper, **(Figure 15)**.
13. Do periodic inspections to the installation to make sure that all hardware is secure and tight.

To protect your investment, wax this product after installing. Regular waxing is recommended to add a protective layer over the finish. Do not use any type of polish or wax that may contain abrasives that could damage the finish. Mild soap may be used to clean the Heavy Duty Front Bumper assembly.



(Fig 1) Driver side lower frame extension and fog light wire harness pictured from behind bumper

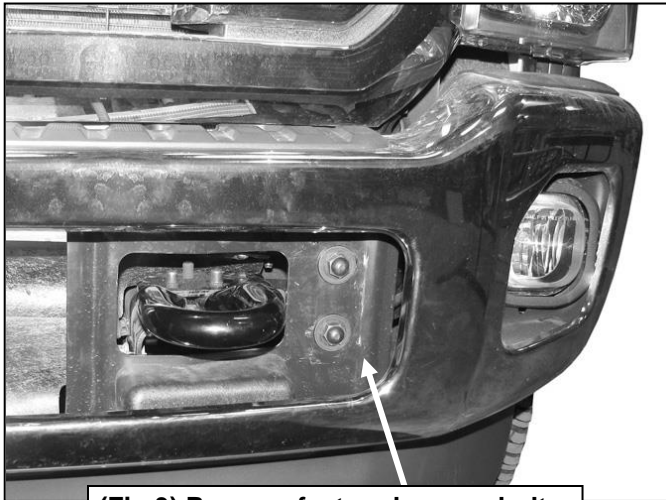
Remove hardware attaching bumper support brackets to frame



(Fig 2) Release clips attaching the wire harness for fog lights if equipped. Passenger side pictured from behind bumper

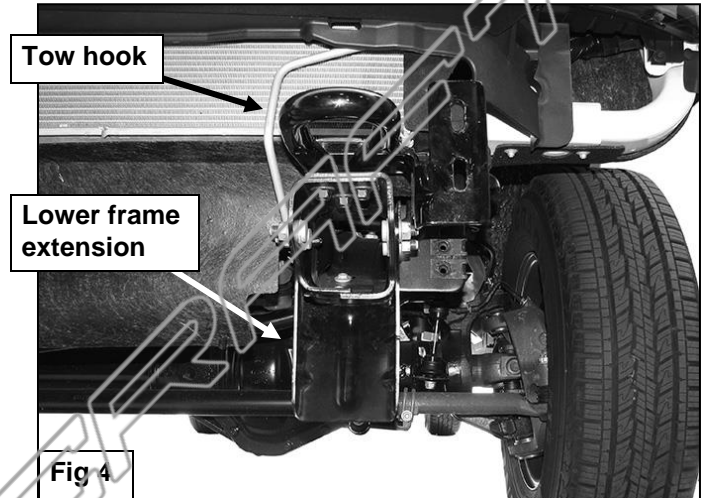
**HEAVY DUTY FRONT BUMPER
2011-15 FORD SUPERDUTY F250-350**

Driver Side Installation Pictured



(Fig 3) Remove factory bumper bolts

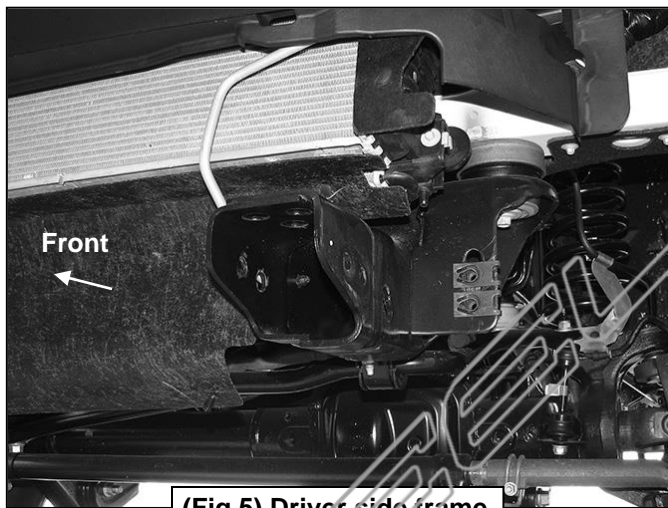
WARNING! Do not remove bumper bolts unless the bumper is properly supported on blocks or stands or the bumper may fall.



Tow hook

Lower frame extension

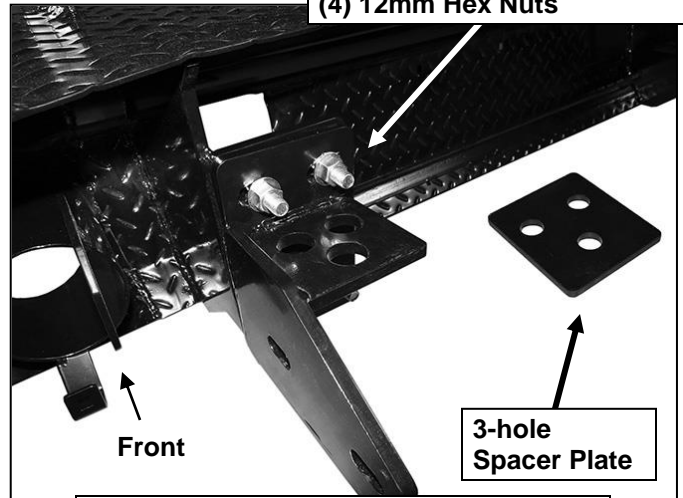
Fig 4



Front

(Fig 5) Driver side frame

- (4) 12mm x 50mm Hex Bolts
- (8) 12mm Flat Washers
- (4) 12mm Lock Washers
- (4) 12mm Hex Nuts

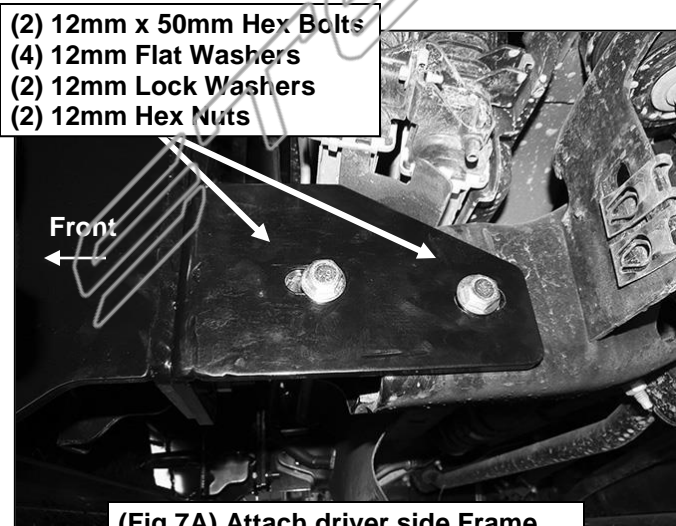


Front

**3-hole
Spacer Plate**

(Fig 6) Attach driver side Frame Bracket to mounting plate on Bumper Assembly

WARNING! Do not crawl under bumper unless the bumper is properly supported on blocks or stands or the bumper may fall.

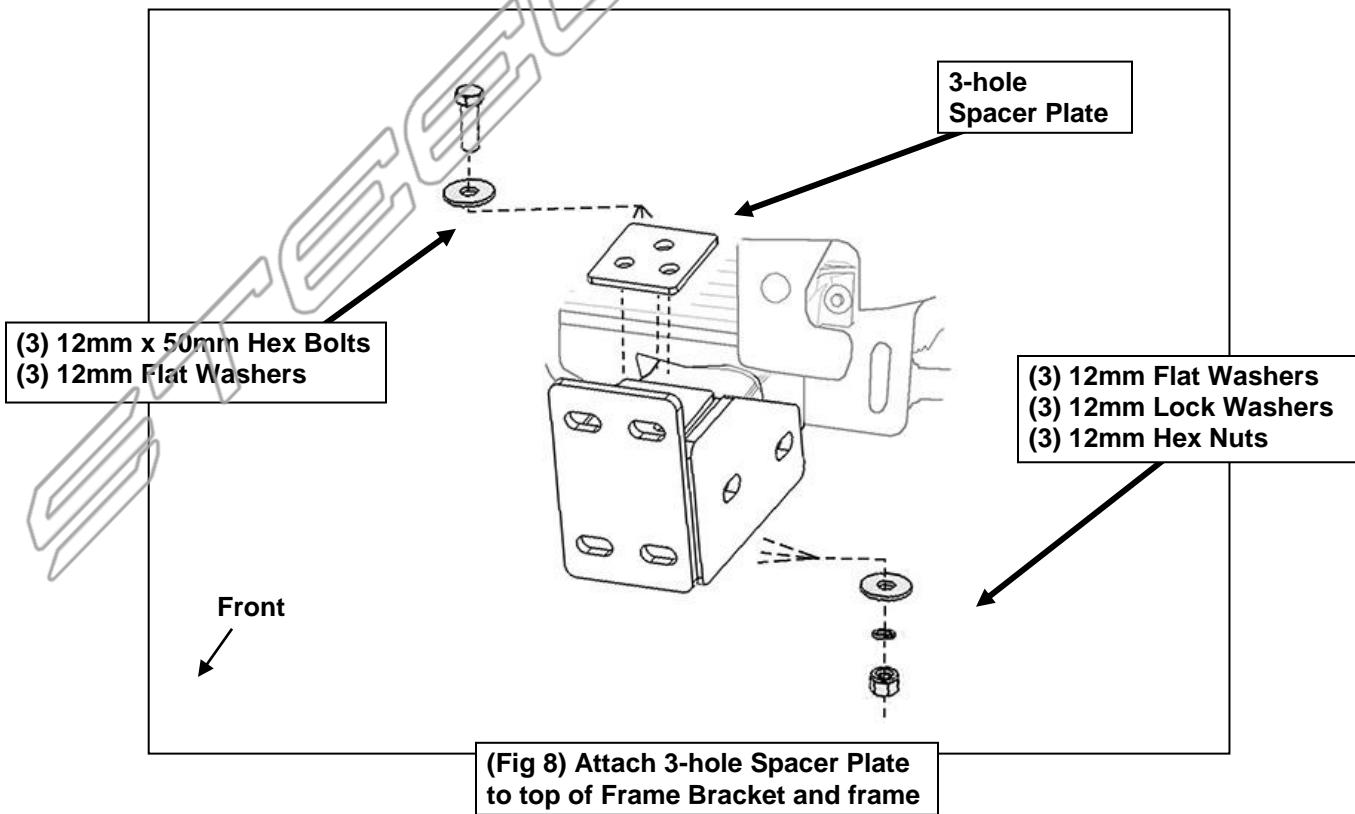
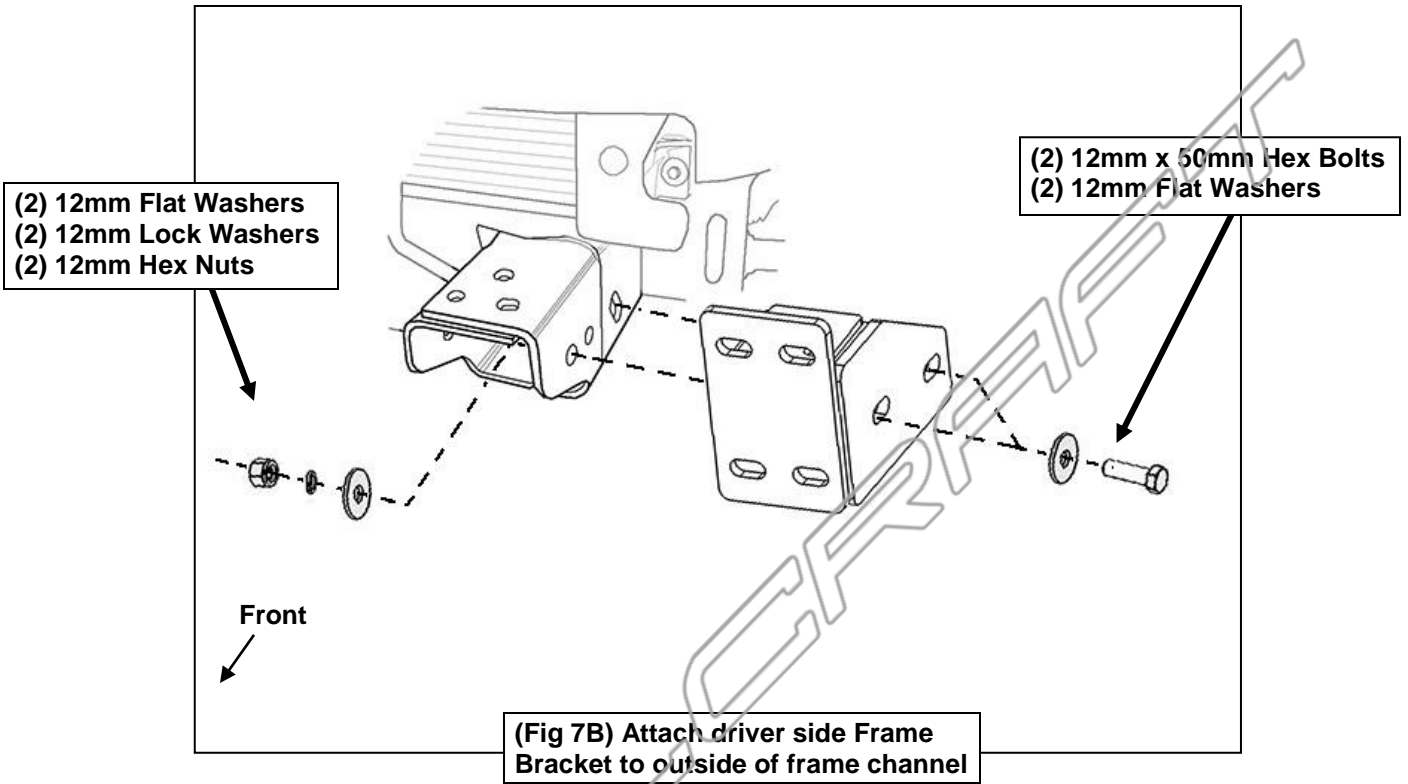


Front

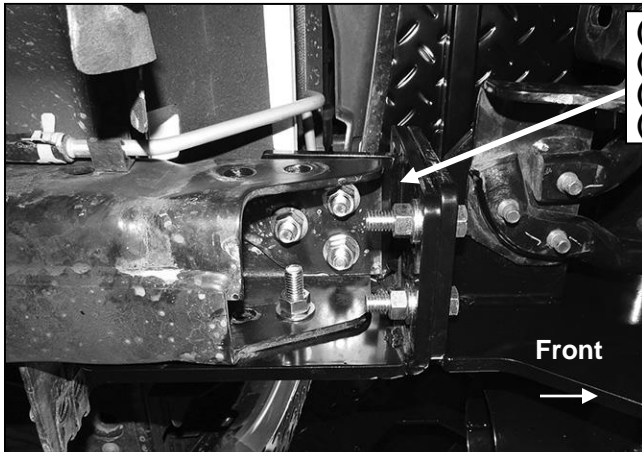
- (2) 12mm x 50mm Hex Bolts
- (4) 12mm Flat Washers
- (2) 12mm Lock Washers
- (2) 12mm Hex Nuts

(Fig 7A) Attach driver side Frame Bracket to outside of frame channel

Driver Side Installation Pictured

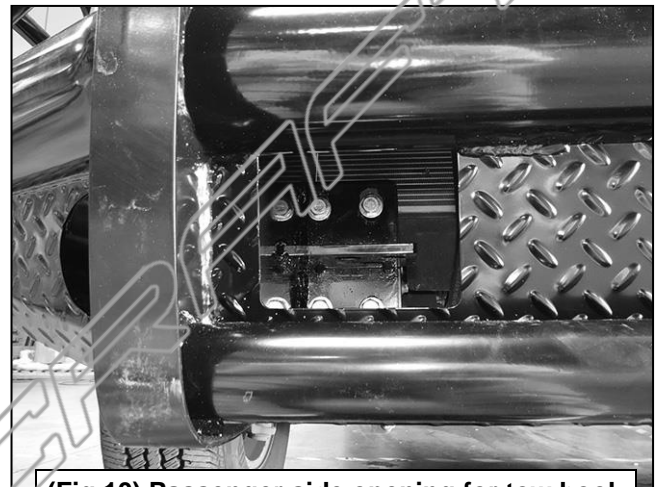


**HEAVY DUTY FRONT BUMPER
2011-15 FORD SUPERDUTY F250-350**

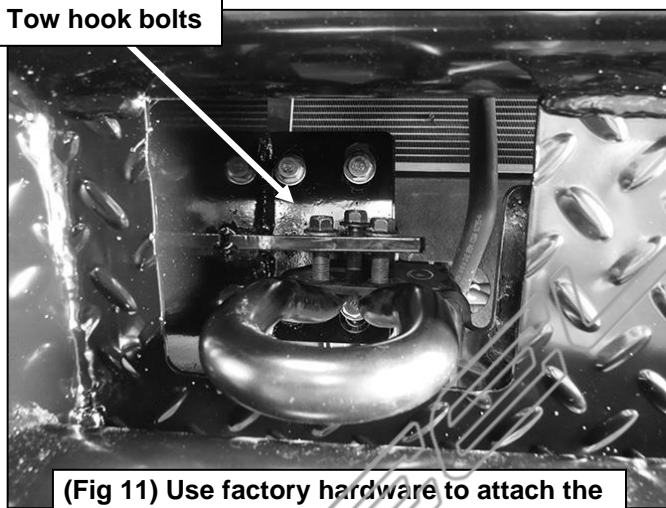


- (3) 12mm x 50mm Hex Bolts
- (6) 12mm Flat Washers
- (3) 12mm Lock Washers
- (3) 12mm Hex Nuts

(Fig 9) Frame and Bumper pictured from below



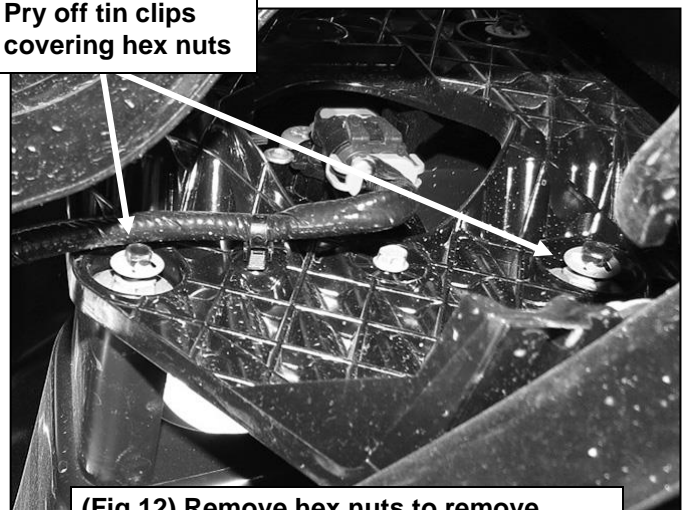
(Fig 10) Passenger side opening for tow hook



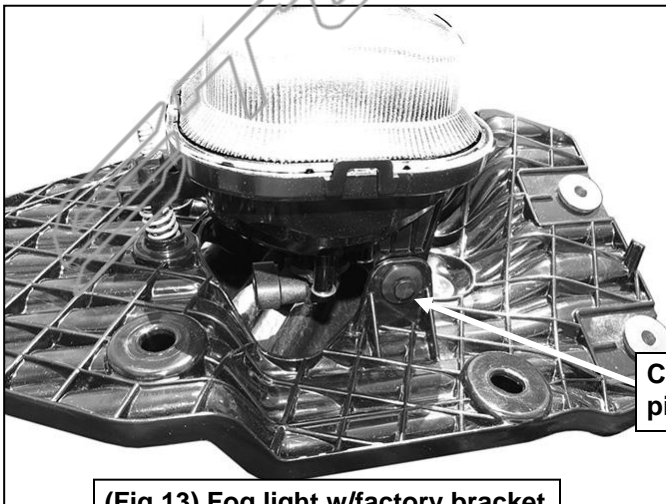
Tow hook bolts

(Fig 11) Use factory hardware to attach the tow hook to mounting plate behind bumper

Pry off tin clips covering hex nuts



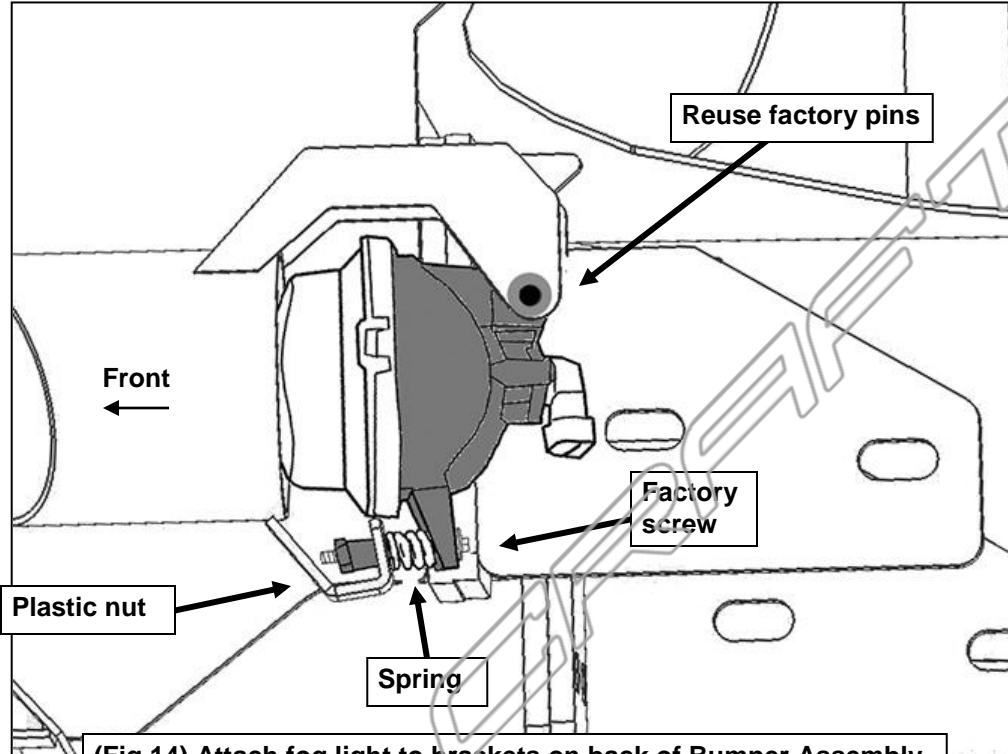
(Fig 12) Remove hex nuts to remove complete fog light assembly with bracket



(Fig 13) Fog light w/factory bracket

Carefully pry up center pin to release clip

**HEAVY DUTY FRONT BUMPER
2011-15 FORD SUPERDUTY F250-350**



(Fig 14) Attach fog light to brackets on back of Bumper Assembly



(Fig 15) Push plastic plugs into holes in Bumper for license plate if required



Complete Installation